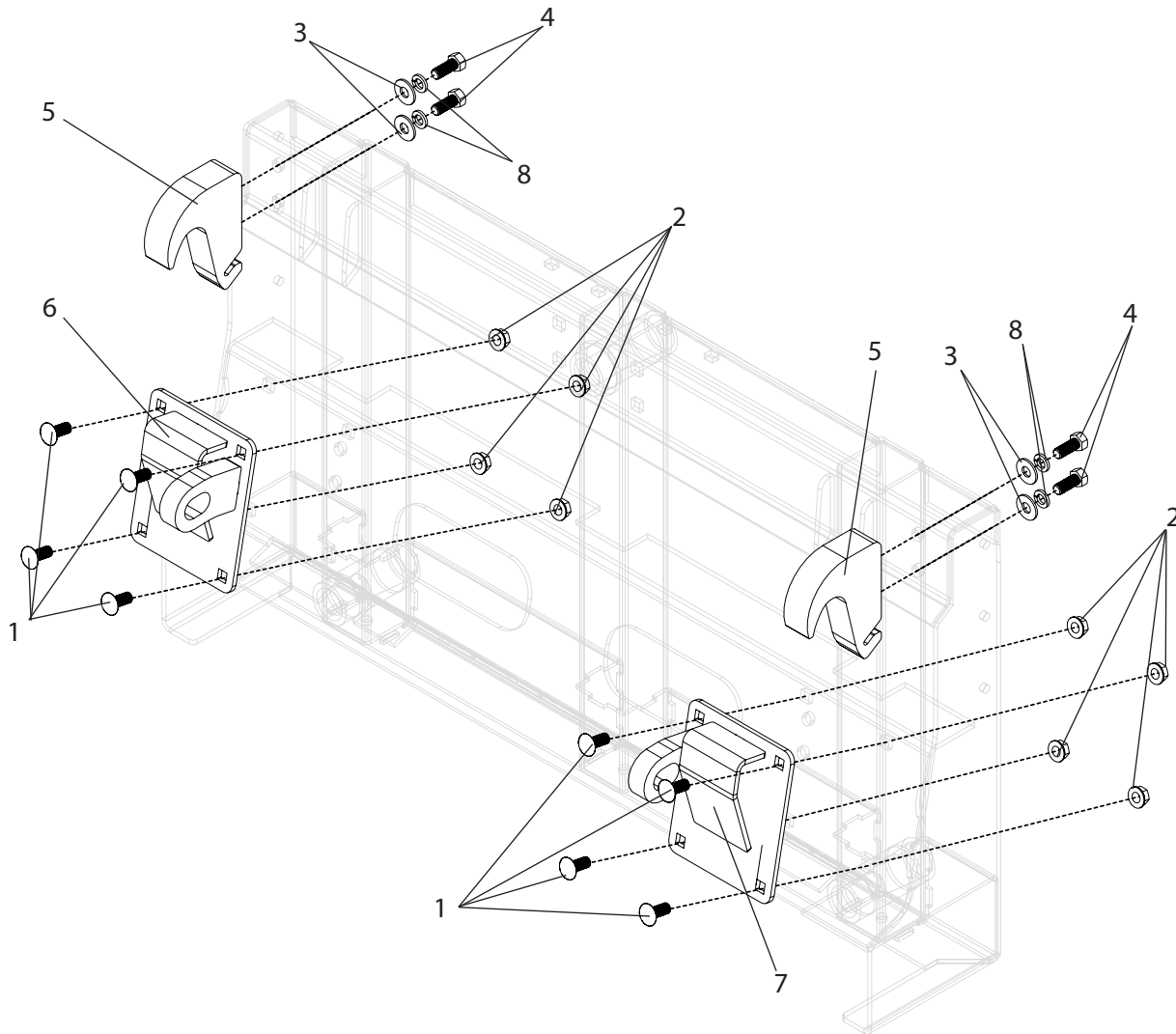


HTQK Assembly Manual

Quickie Loader Attachment Kit



Ref #	Qty.	Part Number	Description
1	8	CB12*114G5	Bolt, Carriage 1/2-13 x 1 1/4" Gr 5
2	8	FN12	Nut, Flange 1/2-13
3	4	FW12	Washer, Flat 1/2" USS
4	4	H5C12*114	Bolt, Hex 1/2-13 x 1-1/4" Gr 5
5	2	HTQK-002	Quickie loader attach, top hookup
6	1	HTQK-004	Quicke Attach, Quickie Pin Weldment, Left
7	1	HTQK-006	Quicke Attach, Quickie Pin Weldment, Right
8	4	LW12	Washer, Lock 1/2"