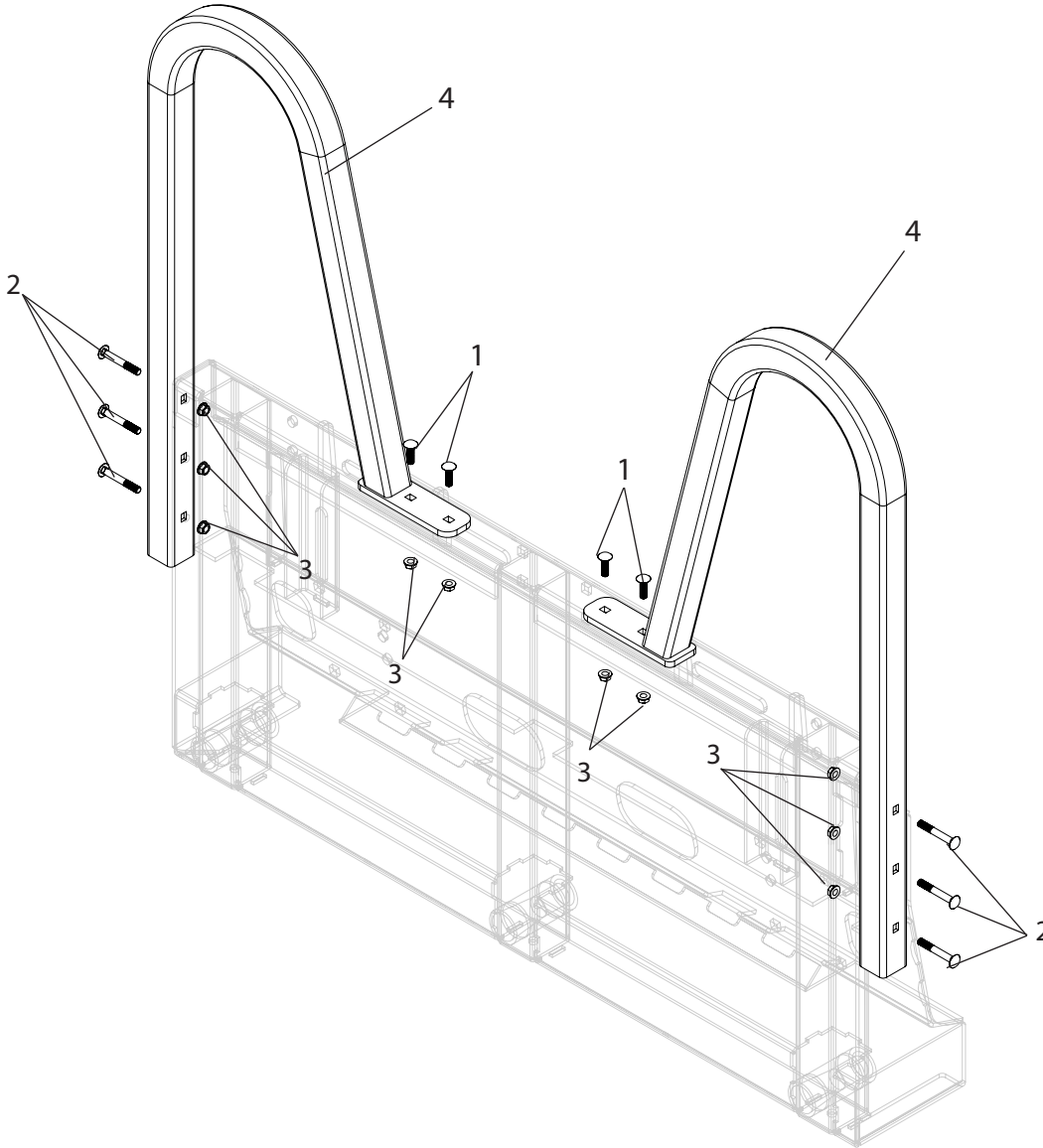


HTR300 Assembly Manual

Bale Mover Frame Extension



Ref #	Qty.	Part Number	Description
1	4	CB38*114G5 *	Bolt, Carriage 3/8-16 x 1-1/4" Gr 5
2	6	CB38*234G5 *	Bolt, Carriage 3/8-16 x 2-3/4" Gr 5
3	10	FN38 *	Nut, Flange 3/8-16
4	2	HTR301	Bale mover frame extension, tube

*Parts are included in HTR302 (Bale mover frame extension, hardware kit).