

PA1600 Battery Replacement Kit

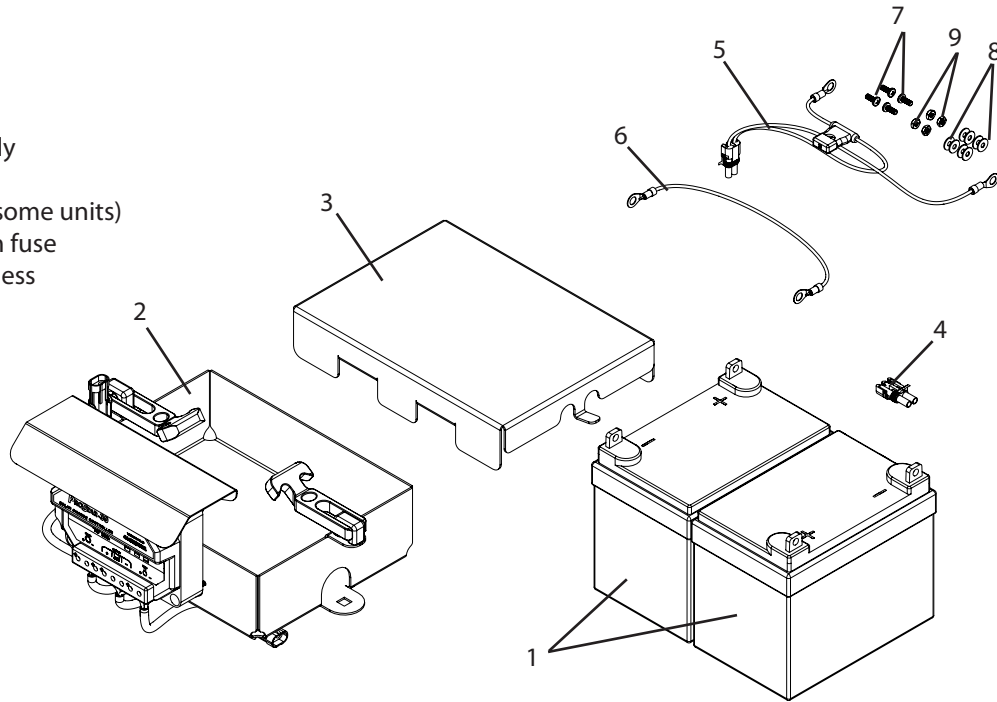
Subject:

The purpose of this document is to show the procedure for removing the current batteries, and installing a replacement battery kit.

Contents:

This kit includes:

1. (2) Batteries
2. (1) Battery tray assembly
3. (1) Battery Cover
4. (1) Plug (Only used on some units)
5. (1) Battery harness with fuse
6. (1) Battery jumper harness
7. (4) Screws
8. (8) Washers
9. (4) Nuts



Step 1:

- Disconnect solar panels from charge controller. (Figure 1)
- Disconnect the speed controller from the charge controller. (Figure 2)

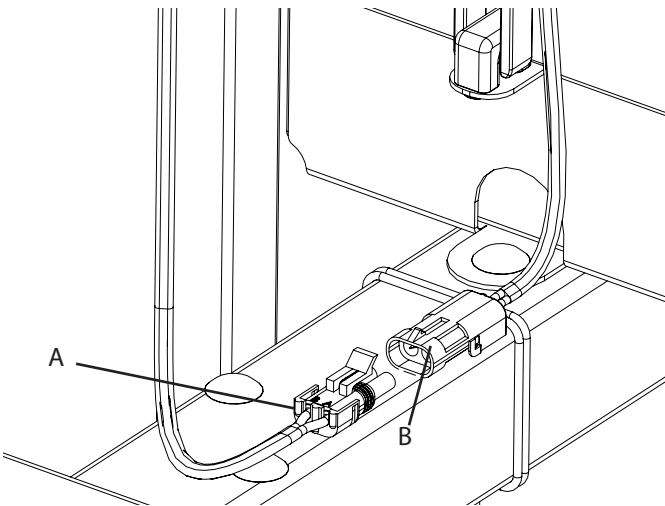


Figure 1: Disconnect solar harness plug (A) from charge controller harness plug (B).

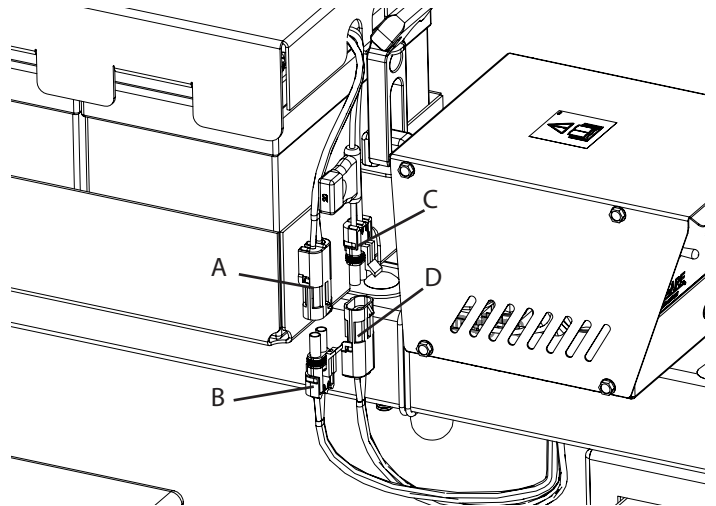


Figure 2: Disconnect charge controller harness plug (A) from speed control harness plug (B). Disconnect battery plug (C) from speed controller (D) (if equipped).

PA1600 Battery Replacement Kit

Step 2:

-Remove battery tray from frame. (Figure 3)

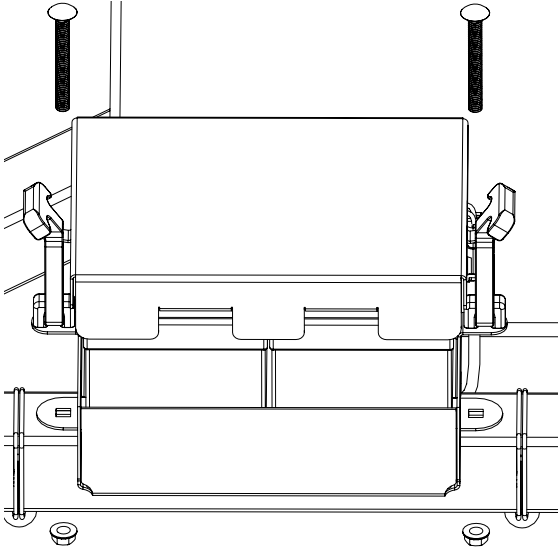


Figure 3: Removing the battery tray.

Step 3:

-Install replacement battery tray assembly onto frame. (Figure 4)

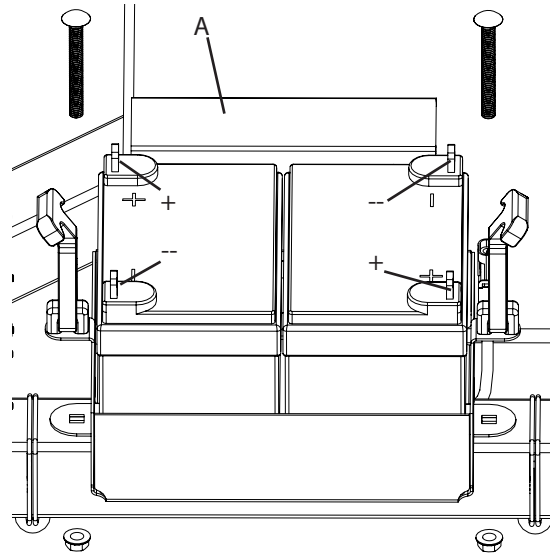


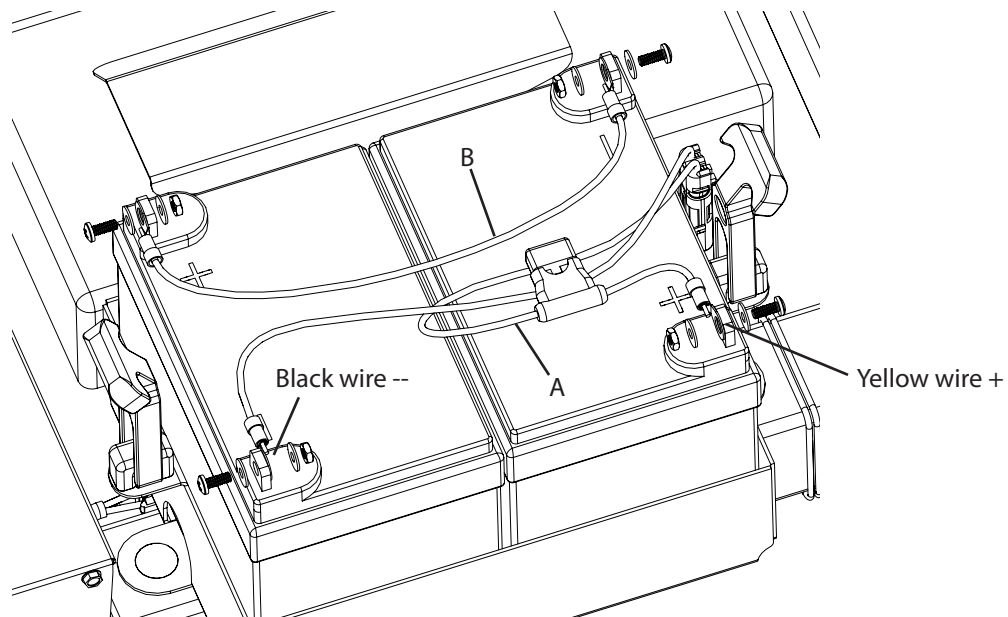
Figure 4: Installing the replacement batteries. Note the position of the new charge controller (A), facing towards operator pads. Note the terminal locations to position the batteries (+,-).

Step 4:

-Use items 5-9 to complete this step.

-Install battery harness (A) to terminals (Yellow wire +, Black wire -). (Figure 5)

-Install battery jumper harness (B) to remaining terminals. (Figure 5)



PA1600 Battery Replacement Kit

Step 5:

- Reconnect the speed controller to the charge controller. (Figure 6)
- Connect the battery harness (A) with the charge controller harness (B). (Figure 7)
- Reconnect the charge controller to the solar panels. (Figure 8)
- Install plug onto unused plug from the speed controller (if applicable). (Figure 6)

IMPORTANT

Connect the battery power to the charge controller before connecting solar panels to charge controller.

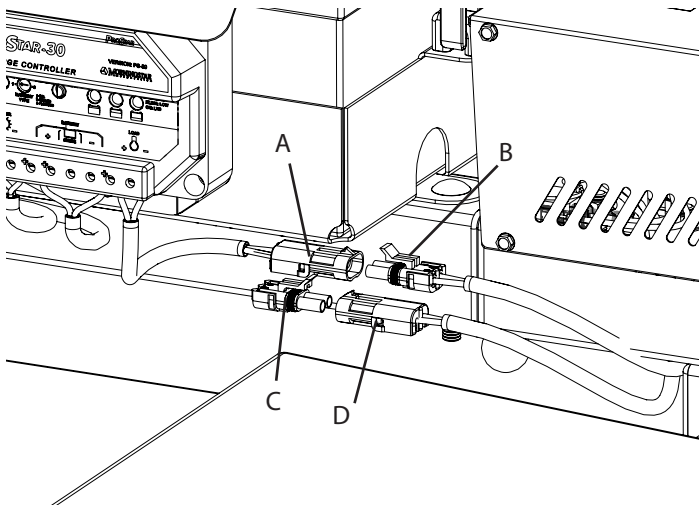


Figure 6: Reconnect charge controller harness plug (A) to the speed control harness plug (B). Install plug (C) into the unused speed controller harness (D) (if applicable).

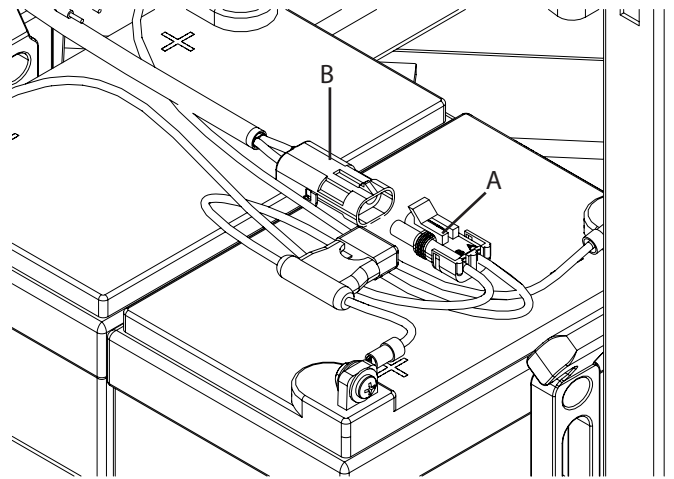


Figure 7: Connect the battery harness (A) to the charge controller harness (B).

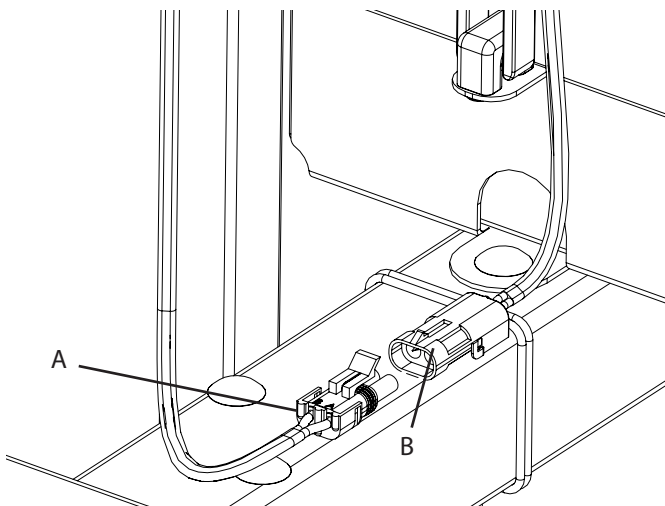


Figure 8: Reconnect solar harness plug (A) to the charge controller harness plug (B).