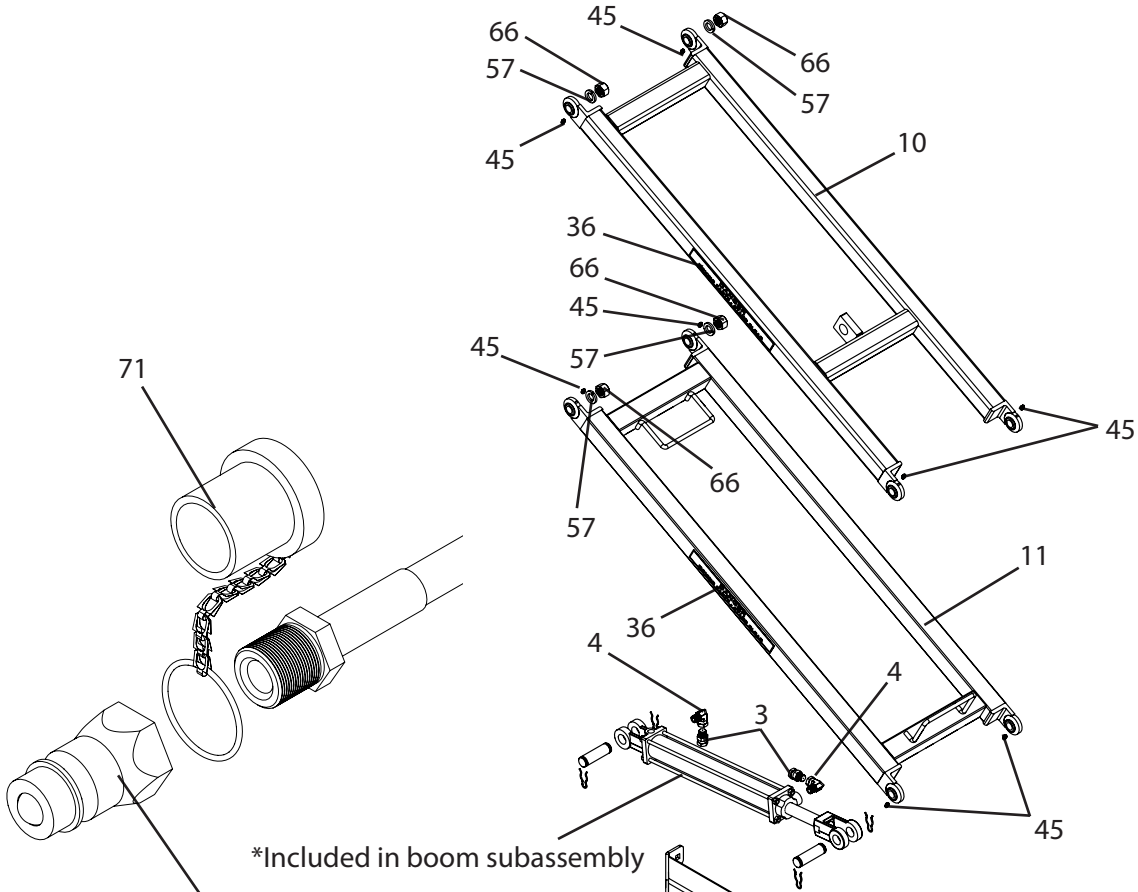
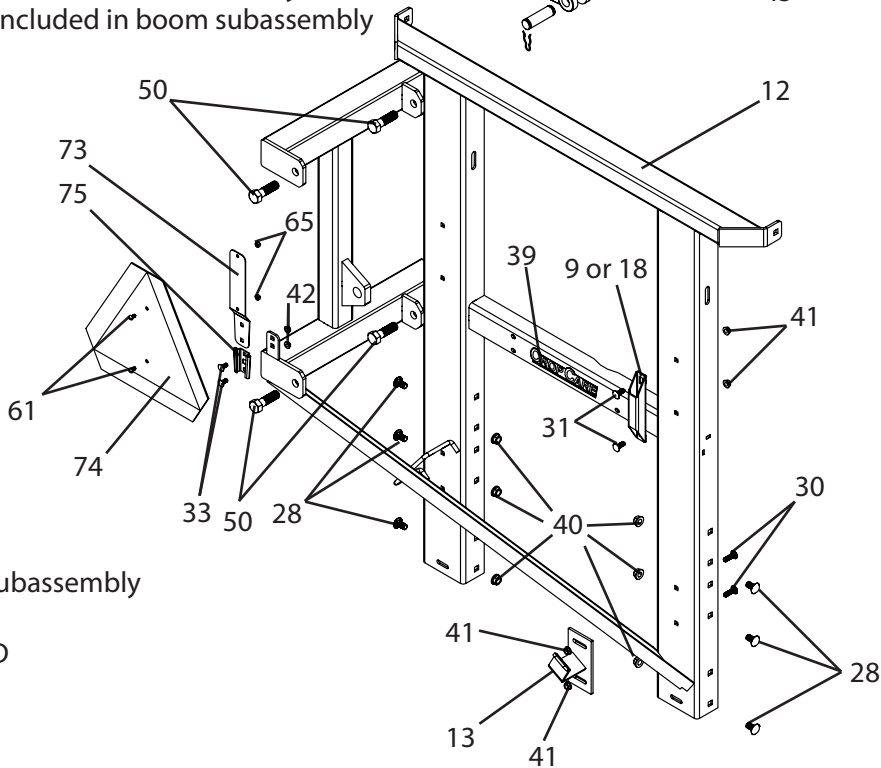


## HF25 Breakdown

### 25' single side hydraulic fold boom



\*Included in boom subassembly

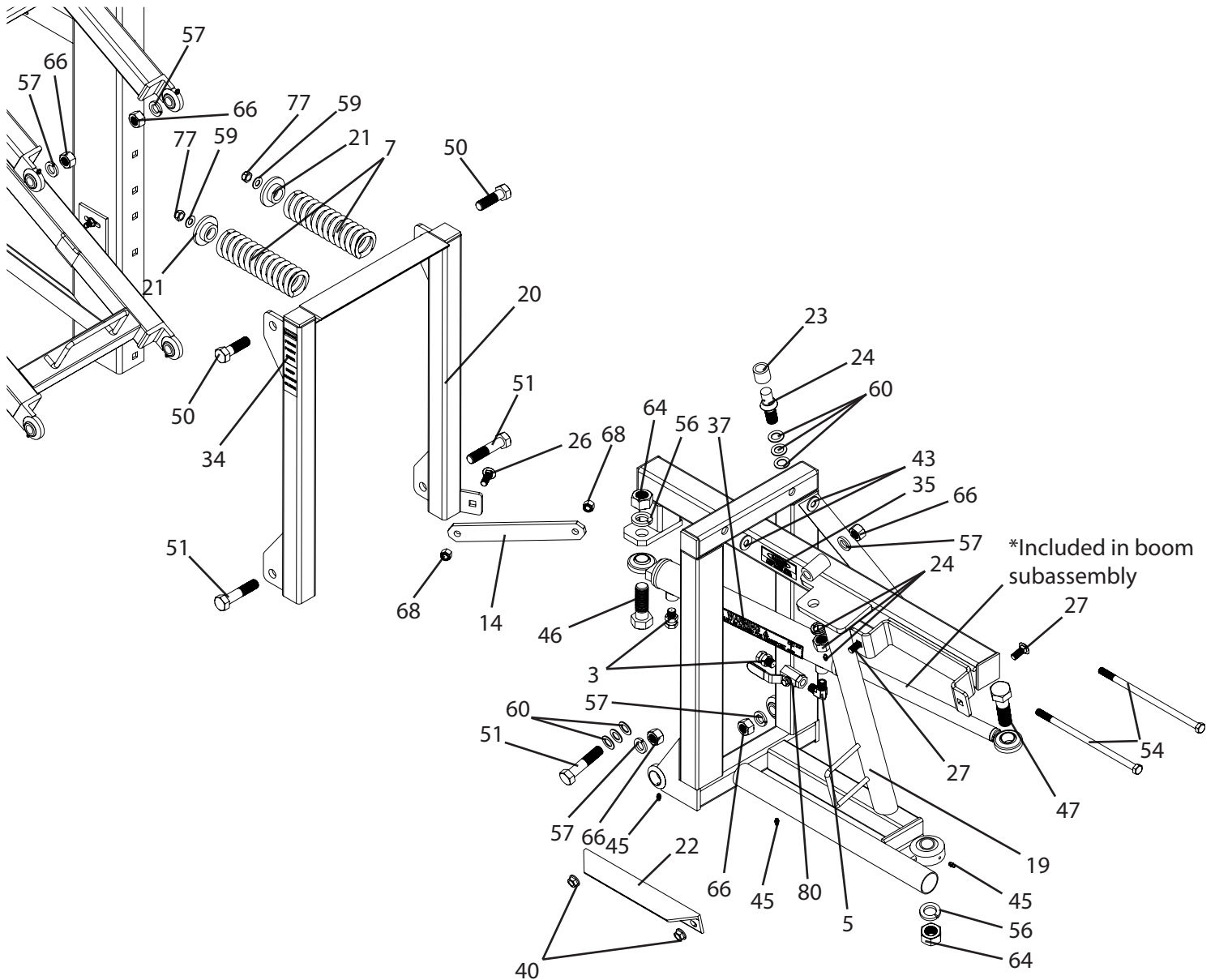


\*Included in boom subassembly

- HF25-3PT
- HF25-3PTH
- HF25-TR400
- HF25-TR525

## HF25 Breakdown

### 25' single side hydraulic fold boom

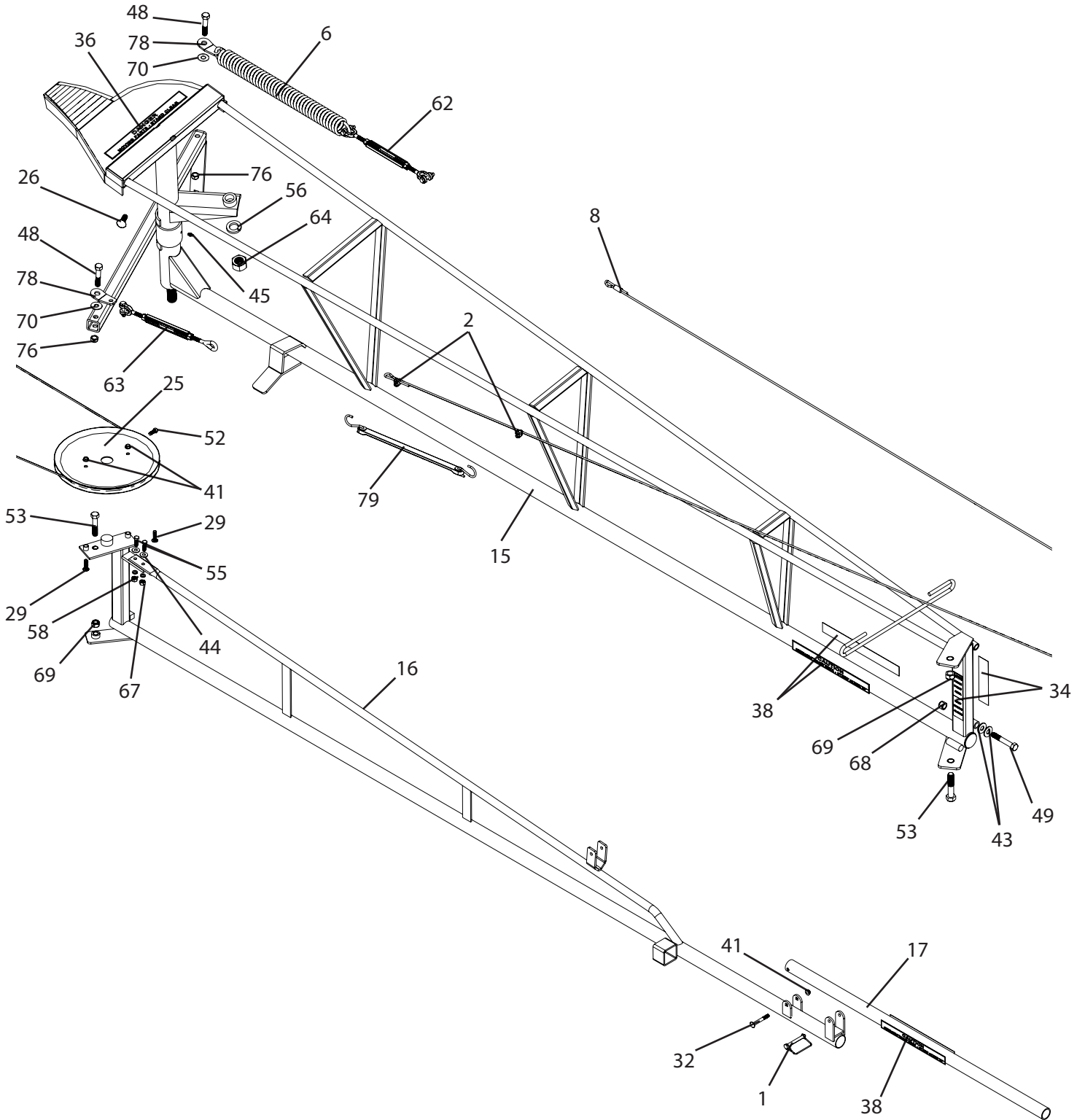


\*Included in boom subassembly

- HF25-3PT
- HF25-3PTH
- HF25-TR400
- HF25-TR525

## HF25 Breakdown

### 25' single side hydraulic fold boom



## HF25 Breakdown

### 25' single side hydraulic fold boom

\* These parts are exchanged for each other depending on parallel arm and frame fitment.  
The BF25SH24 is an 1 1/4" shim, and the BF25SH36 is an 1" shim.

Ref#	Qty.	Part Number	Description
1	1	00267	Pin, Square Lock 3/8" x 3"
2	2	04006	Clamp, Wire Rope 3/16" SS
3	4	1404R-06-06-.032	Restrictor, Hyd 0.032 Orifice 3/8" MPT x 3/8" FPT Swivel
4	2	1501-06-06	Elbow, Hyd. 90° 3/8" MPT x 3/8" FPT Swivel
5	1	5500-06-06	Elbow, Hyd 90° 3/8" MPT x 3/8" MPT
6	1	B118	Spring, Extension Blk 2" x 22 1/2" x .331"
7	2	B127	Spring, Compression Blk 1-7/16" OD x 8" x .392"
8	1	BC001	Cable, Wire SS 25' Boom Fold 3/16" 7x19
9	1	BF25SH24*	Upper parallel arm guide
10	1	BF25SH25	Upper parallel arm
11	1	BF25SH26	Lower parallel arm
12	1	BF25SH27	Rear frame assembly
13	1	BF25SH28	Lower parallel arm stop
14	1	BF25SH29	Control arm link
15	1	BF25SH31	Inner wing, single sided boom
16	1	BF25SH32	Outer wing, single sided boom
17	1	BF25SH33	Flip out extension
18	1	BF25SH36 *	Upper parallel arm shim, 1"
19	1	BF25SHA30	Center frame, A style, single sided boom
20	1	BF25SHA36	Suspension frame
21	2	BF25SHA37	Coil spring cap
22	1	BF45C18	Boom guide / inner wing clamp
23	1	BF45C19	Bushing, inner wing roller pin
24	1	BF45C20	Boom guide roller pin, machined
25	1	BF60C11	Pulley, Cable BF60H
26	2	CB12*112G5	Bolt, Carriage 1/2-13 x 1-1/2" Gr 5
27	2	CB12*114G5	Bolt, Carriage 1/2-13 x 1 1/4" Gr 5
28	6	CB12*1G5	Bolt, Carriage 1/2-13 x 1" Gr 5
29	2	CB38*112G5	Bolt, Carriage 3/8-16 x 1-1/2" Gr 5
30	2	CB38*114G5	Bolt, Carriage 3/8-16 x 1-1/4" Gr 5
31	2	CB38*1G5	Bolt, Carriage 3/8-16 x 1" Gr 5
32	1	CB38*3G5	Bolt, Carriage 3/8-16 x 3" Gr 5
33	2	CB516*34G5	Bolt, Carriage 5/16-18 x 3/4" Gr 5
34	3	DE22	Decal, "Danger Pinch Point Area"
35	1	DE23	Decal, "Danger Pinch Point Area" Horizontal
36	3	DE24	Decal, "Danger Moving Parts Stand Clear"
37	1	DE25	Decal, "Warning Hyd Valve Must Be Closed For Transport" 12" x 1-1/4"
38	4	DE26	Decal, "Caution Swinging Boom Area"
39	1	DE46	Decal, CropCare Logo 1.9" x 8.8"
40	8	FN12	Nut, Flange 1/2-13

## HF25 Breakdown

### 25' single side hydraulic fold boom

Ref#	Qty.	Part Number	Description
41	7	FN38	Nut, Flange 3/8-16
42	2	FN516	Nut, Flange 5/16-18
43	7	FW12	Washer, Flat 1/2" USS
44	2	FW38G8	Washer, Flat 3/8" Gr 8
45	12	GF101	grease fitting 1/4-28 straight
46	1	H5C1*3	Bolt, Hex 1-8 x 3" Gr 5
47	1	H5C1*312	Bolt, Hex 1-8 x 3-1/2" Gr 5
48	2	H5C12*212	Bolt, Hex 1/2-13 x 2-1/2" Gr 5
49	1	H5C12*314	Bolt, Hex 1/2-13 x 3-1/4" Gr 5
50	6	H5C34*212	Bolt, Hex 3/4-10 x 2-1/2" Gr 5
51	3	H5C34*312	Bolt, Hex 3/4-10 x 3 1/2" Gr 5
52	1	H5C38*1	Bolt, Hex 3/8-16 x 1" Gr 5
53	2	H5C58*3	Bolt, Hex 5/8-11 x 3" Gr 5
54	2	H8C12*11	Bolt, Hex 1/2-13 x 11" Gr 8
55	2	H8F38*114	Bolt, Hex 3/8-24 x 1-1/4" Gr 8
56	3	LW1	Washer, Lock 1"
57	9	LW34	Washer, Lock 3/4"
58	2	LW38	Washer, Lock 3/8"
59	2	MW12	Washer, Machine 1/2" x 7/8" 14 Ga
60	6	MW34	Washer, Machine 3/4" x 1-1/4" 14 Ga
61	2	MR14*58	Screw, Machine Rd Hd 1/4-20 x 5/8" Phillips Drive
62	1	N177350	Turnbuckle, Jaw & Jaw 3/8" x 6" Galv
63	1	N177390	Turnbuckle, Eye & Jaw 3/8" x 6" Galv
64	3	NC1	Nut, Hex 1-8
65	2	NC14	Nut, Hex 1/4-20
66	9	NC34	Nut, Hex 3/4-10
67	2	NF38G8	Nut, Hex 3/8-24 Gr 8
68	3	NNC12	Nut, Lock Nylon 1/2-13
69	2	NNC58	Nut, Lock Nylon 5/8-11
70	2	NYW12	Washer, Nylon 0.516" x 1-1/4" x 1/16"
71	4	S49-4	Cap, Dust Hyd 1/2" Fits S20-S40-S70
72	4	S71-4	Tip, Hyd Male 1/2" FPT Fits S20-S40-S70
73	1	SMVB	Spade, SMV
74	1	SMVM	Sign, SMV Metal 14" x 16"
75	1	SMVS	Socket, SMV
76	2	SNC12	Nut, Lock Steel 1/2-13
77	2	SNC12G9	Nut, Lock Steel 1/2-13 Gr 9
78	2	T412	Boom cable pivot
79	1	TS15	Tarp Strap, 15" Rubber
80	1	XV500CS-6	Valve, Ball Carbon Steel 3/8" 2000 PSI Clear Coated