



PaulB LLC

50 Woodcorner Road | Lititz PA 17543

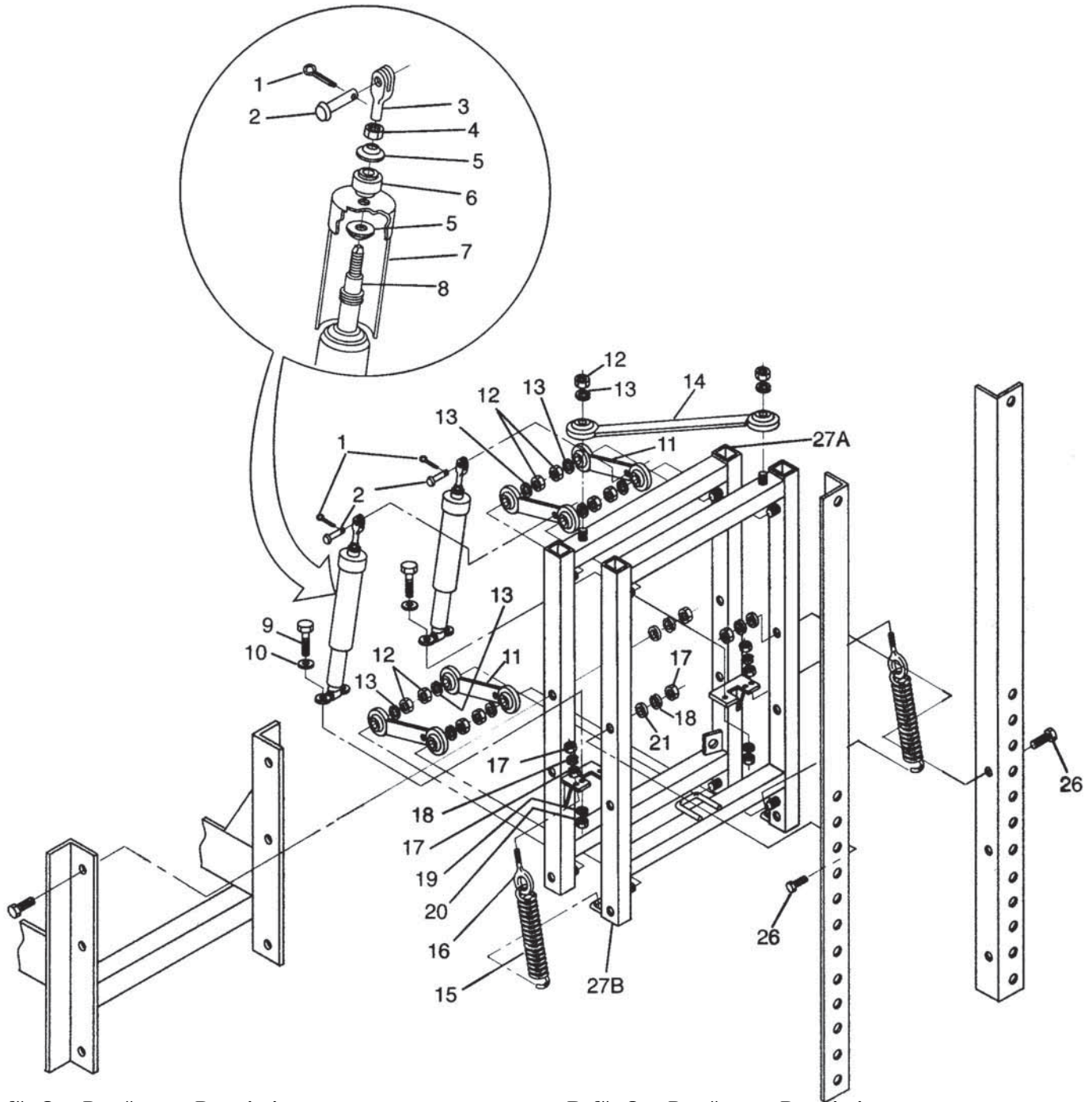
717-738-7350

www.CropCareEquipment.com

Model # BF30HA

30' Hydraulic X-Fold Boom Breakdown

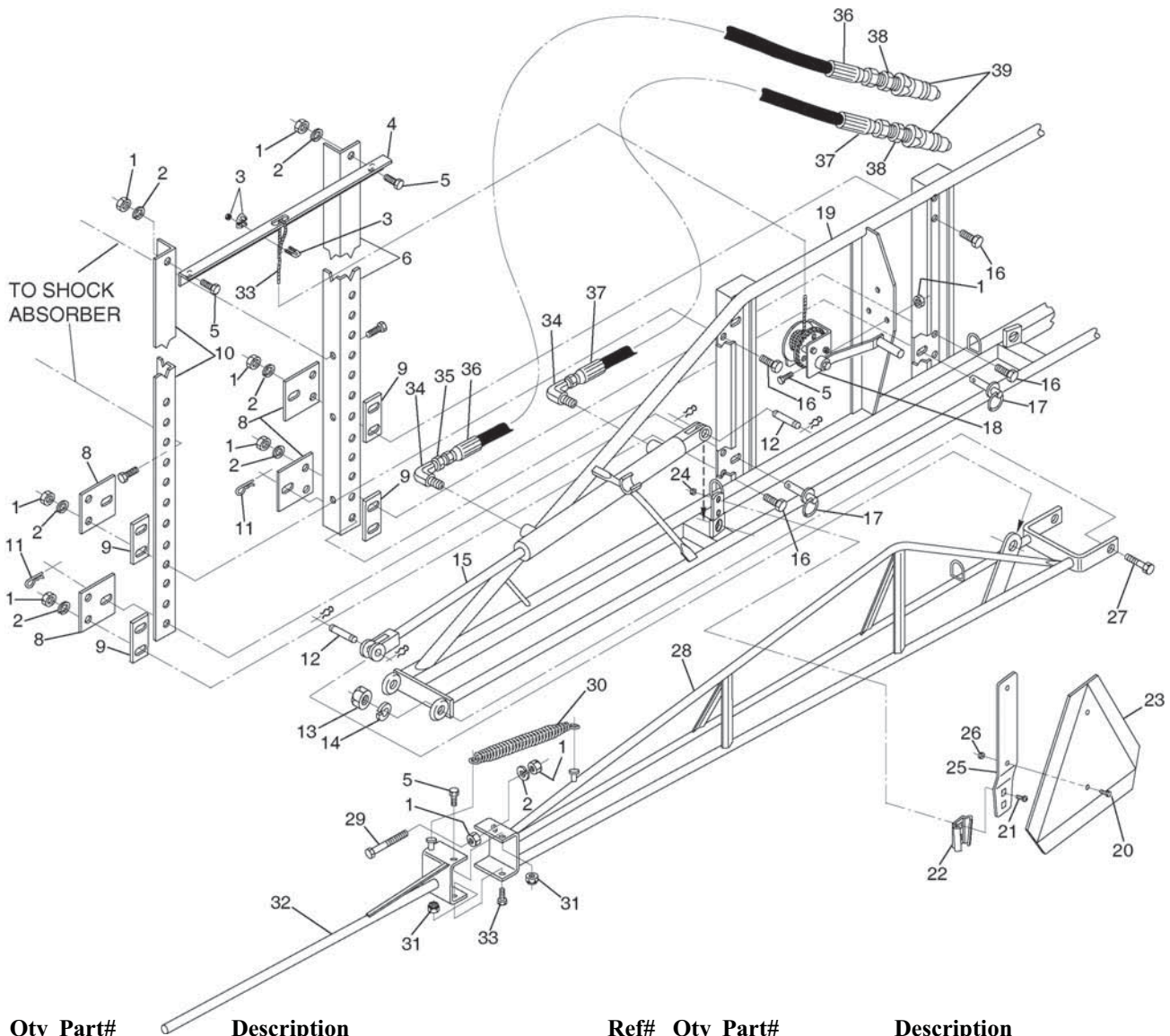
Shock Absorber



| Ref# | Qty | Part# | Description |
|------|-----|------------|---------------------------------------|
| 1 | 2 | CT18*1 | 1/8" x 1" cotter pin |
| 2 | 2 | CP38*114 | 3/8" x 1-1/4" clevis pin |
| 3 | 2 | P27084 | 3/8" NF yoke rod end |
| 4 | 2 | NF38 | 3/8" NF nut |
| 5 | 4 | | Washer (part of shock #48569) |
| 6 | 2 | | Rubber bushing (part of shock #48569) |
| 7 | 2 | SC200 | Shock cover |
| 8 | 2 | 48569 | Shock absorber |
| 9 | 4 | H5C516*114 | 5/16 x 1-1/4" bolt |
| 10 | 4 | FW516 | 5/16" flat washer |
| 11 | 4 | BS800S1 | Link |
| 12 | 10 | NC58 | 5/8" NC nut |
| 13 | 10 | LW58 | 5/8" lock washer |
| 14 | 1 | BS800S2 | Sway link |

| Ref# | Qty | Part# | Description |
|------|-----|-----------|------------------------------|
| 15 | 2 | B116 | Spring 1.5" OD x 9-1/2" long |
| 16 | 2 | N221267 | 3/8" x 4" eye bolt |
| 17 | 10 | NC38 | 3/8" NC nut |
| 18 | 8 | LW38 | 3/8" lock washer |
| 19 | 4 | LW516 | 5/16" lock washer |
| 20 | 4 | NC516 | 5/16" NC nut |
| 21 | 6 | FW38 | 3/8" flat washer |
| 22 | 1 | WRC316 | 3/16" cable clamp |
| 23 | 4 | BF409 | Boom clip |
| 24 | 4 | BF4011 | Boom clip spacer |
| 26 | 6 | H5C38*212 | 3/8" x 2-1/2" bolt |
| 27A | 1 | BS800S4 | Front shock frame |
| 27B | 1 | BS800S3 | Rear shock frame |

BF30HA Boom



| Ref# | Qty | Part# | Description |
|------|-----|-----------|-----------------------------|
| 1 | 17 | NC38 | 3/8" nut |
| 2 | 16 | LW38 | 3/8" lock washer |
| 3 | 1 | WRC316 | 3/16" cable clamp |
| 4 | 1 | BF4012 | Cable support |
| 5 | 9 | H5C38*1 | 3/8" x 1" bolt |
| 6 | 1 | BF4013R | Right boom support |
| 8 | 4 | BF409 | Boom clip |
| 9 | 4 | BF4011 | Boom clip spacer |
| 10 | 1 | BF4013L | Left boom support |
| 11 | 2 | CP158 | Clip pin |
| 12 | 4 | 01544 | Cylinder pin |
| 13 | 4 | NC58 | 5/8" nut |
| 14 | 4 | LW58 | 5/8" lock washer |
| 15 | 2 | 20TL14 | 2" x 14" hydraulic cylinder |
| 16 | 8 | H5C38*114 | 3/8" x 1-1/4" bolt |
| 17 | 2 | 38H | 3/8" boom pin |
| 18 | 1 | DLB800 | Hand winch |
| 19 | 1 | BF30HA10 | Center frame |
| 20 | 2 | SBR14*34 | 1/4" x 3/4" stove bolt |
| 21 | 2 | CB516*1 | 5/16" x 1" carriage bolt |

| Ref# | Qty | Part# | Description |
|------|------|-----------------|-------------------------------------|
| 22 | 1 | SMVS | Spade socket |
| 23 | 1 | SMVP | SMV sign |
| 24 | 2 | NC516 | 5/16" nut |
| 25 | 1 | SMVB | SMV blade |
| 26 | 2 | NC14 | 1/4" nut |
| 27 | 4 | H5C58*2 | 5/8" x 2" bolt |
| 28 | 1 | BF30HA11L | Inner left boom |
| | 1 | BF30HA11R | Inner right boom (not shown) |
| 29 | 2 | H5C38*2-1/4 | 3/8" x 2-1/4" bolt |
| 30 | 2 | 33*TS | Breakaway spring |
| 31 | 4 | NNC38 | 3/8" lock nut |
| 32 | 1 | BF30HA12L | Outer left boom |
| | 1 | BF30HA12R | Outer right boom (not shown) |
| 33 | 4 ft | CB316S | 3/16" s.s. cable |
| 34 | 4 | 1501-06-06 | 3/8" mpt x 3/8" fpt swivel elbow |
| 35 | 2 | 1404R-06-06.032 | 3/8" swivel orifice |
| 36 | 2 | | 1/4" x 18-1/2' hydraulic hose |
| 37 | 2 | | 1/4" x 17-1/2' hydraulic hose |
| 38 | 4 | 5406E-08-06 | 1/2" npt x 3/8" npt reducer bushing |
| 39 | 4 | S71-4 | Hyd coupler tip |