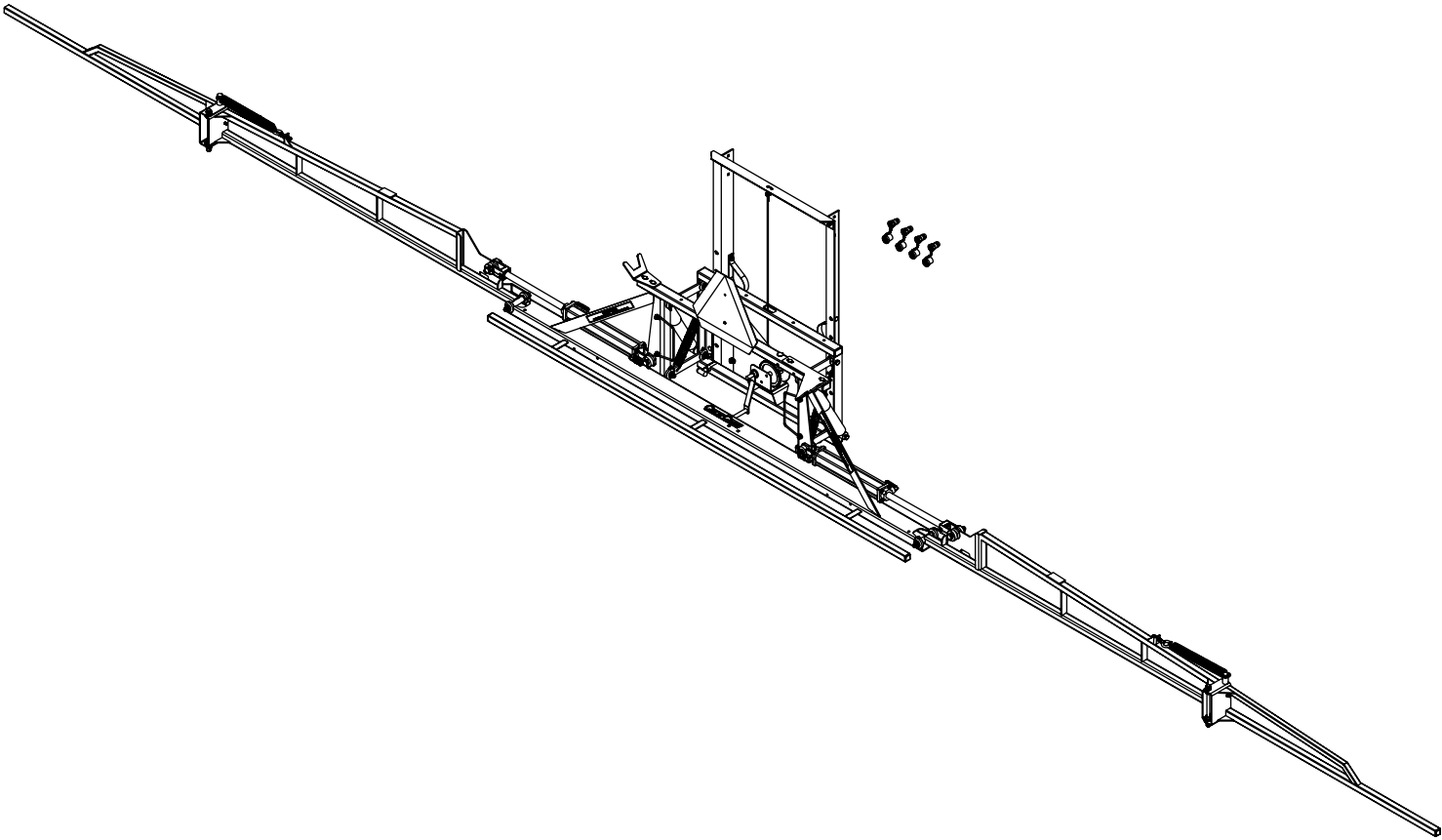


## HX30 Assembly Instructions

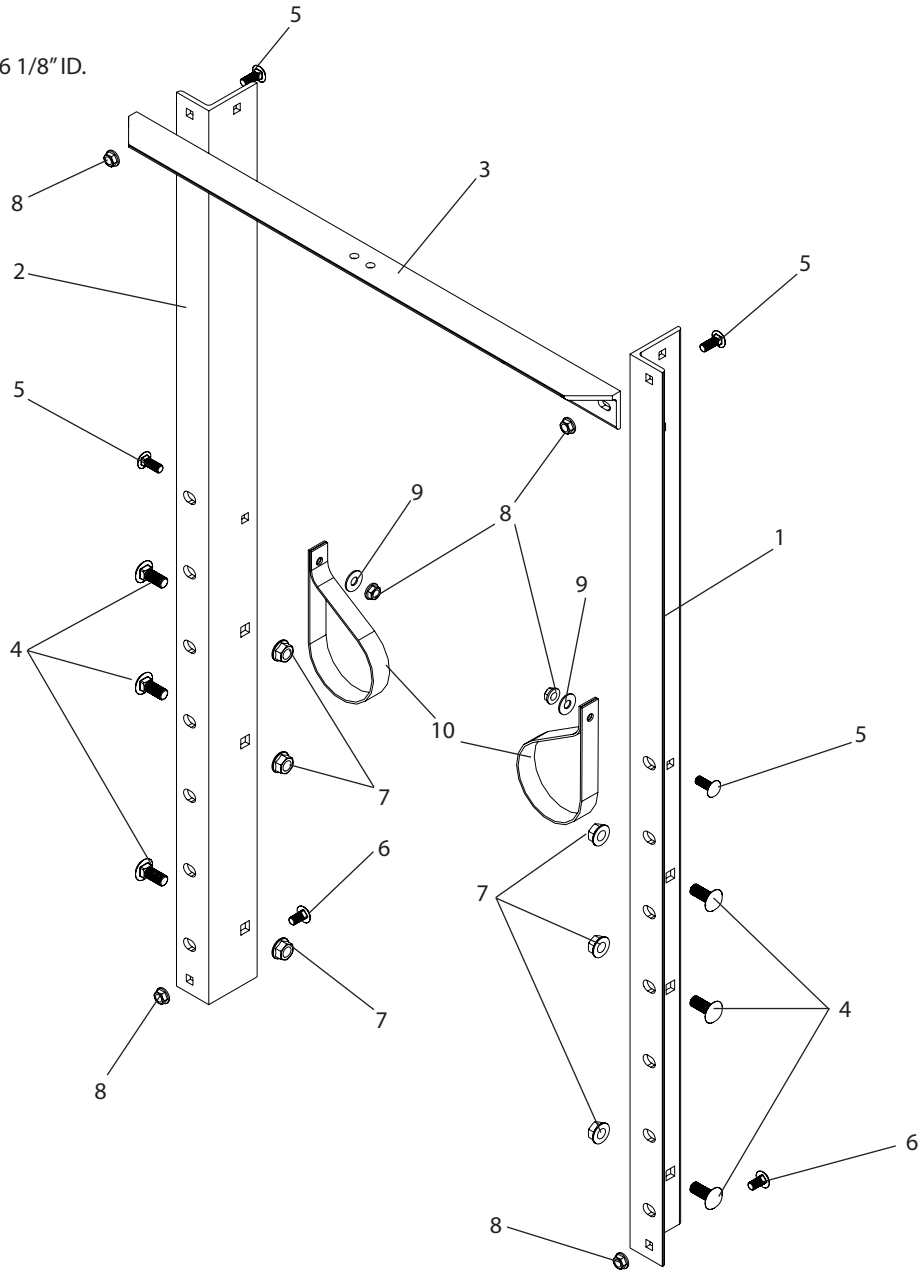
### Boom, 30' X-Fold Hydraulic



# HX30 Assembly Instructions

## Step 1

- Bolt boom angles onto sprayer.
- Upright angles should measure 26 1/8" ID.

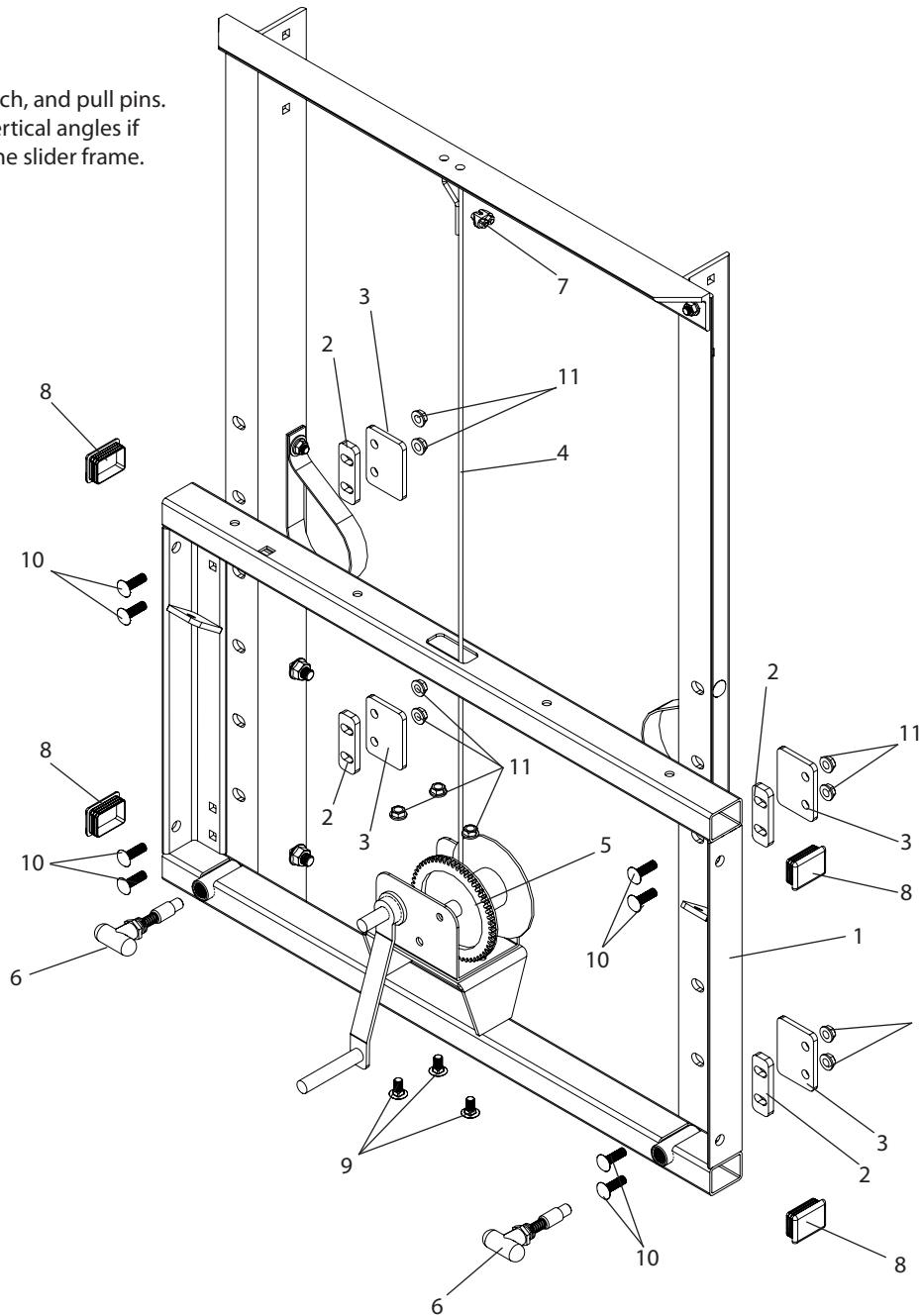


Ref#	Qty.	Part Number	Description
1	1	BF30HB10	Upright angle, right
2	1	BF30HB11	Upright angle, left
3	1	BF30HB12	Top angle
4	6	CB12*114G5	Bolt, Carriage 1/2-13 x 1-1/4" Gr 5
5	4	CB38*1G5	Bolt, Carriage 3/8-16 x 1" Gr 5
6	2	CB38*34G5	Bolt, Carriage 3/8-16 x 3/4" Gr 5
7	6	FN12	Nut, Flange 1/2-13
8	6	FN38	Nut, Flange 3/8-16
9	2	FW38	Washer, Flat 3/8"
10	2	HS1000	Hose Holder, Nylon Strap

# HX30 Assembly Instructions

## Step 2

- Install slider frame, winch, and pull pins.
- Use washers to shim vertical angles if necessary to better fit the slider frame.

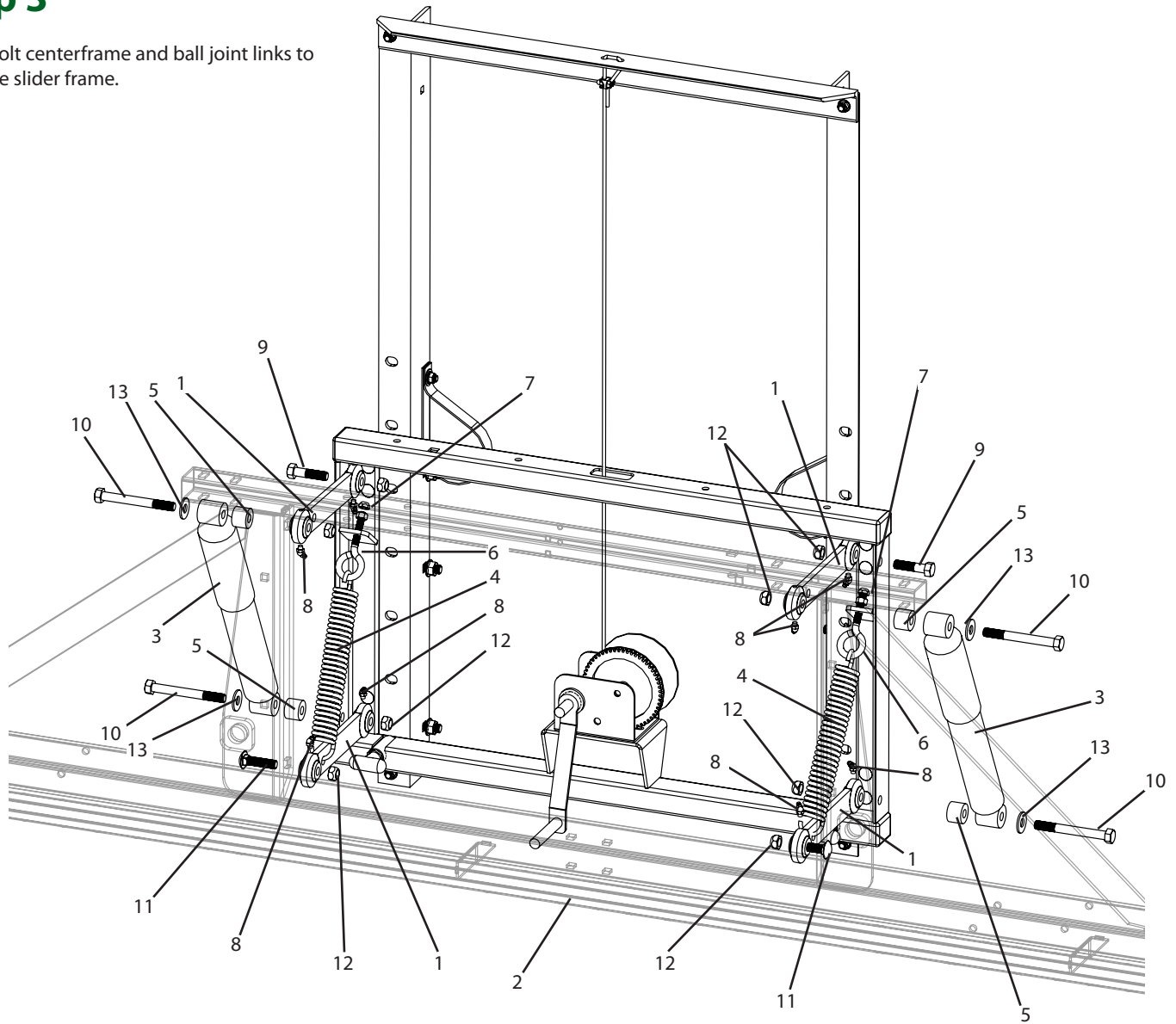


Ref#	Qty.	Part Number	Description
1	1	BF30HB13	Boom slider frame
2	4	BF30HB23	Spacer, Slide Clip
3	4	BF409	Clip, Side Boom
4	1	BC004	Cable, Wire SS Boom Lift 30' & 40' 3/16"
5	1	DLB800	Winch, Manual 800 lb Capacity w/Brake
6	2	K320PLOBBA	Pin, Pull w/T-Handle 1/2" w/Lock-Out
7	1	04006	Clamp, Wire Rope 3/16" SS
8	4	PPRE112*2*10-14	Plug, Plastic 1-1/2" x 2" x 10-14 Ga Black
9	3	CB38*34G5	Bolt, Carriage 3/8-16 x 3/4" Gr 5
10	8	CB38*114G5	Bolt, Carriage 3/8-16 x 1-1/4" Gr 5
11	11	FN38	Nut, Flange 3/8-16

# HX30 Assembly Instructions

## Step 3

-Bolt centerframe and ball joint links to the slider frame.

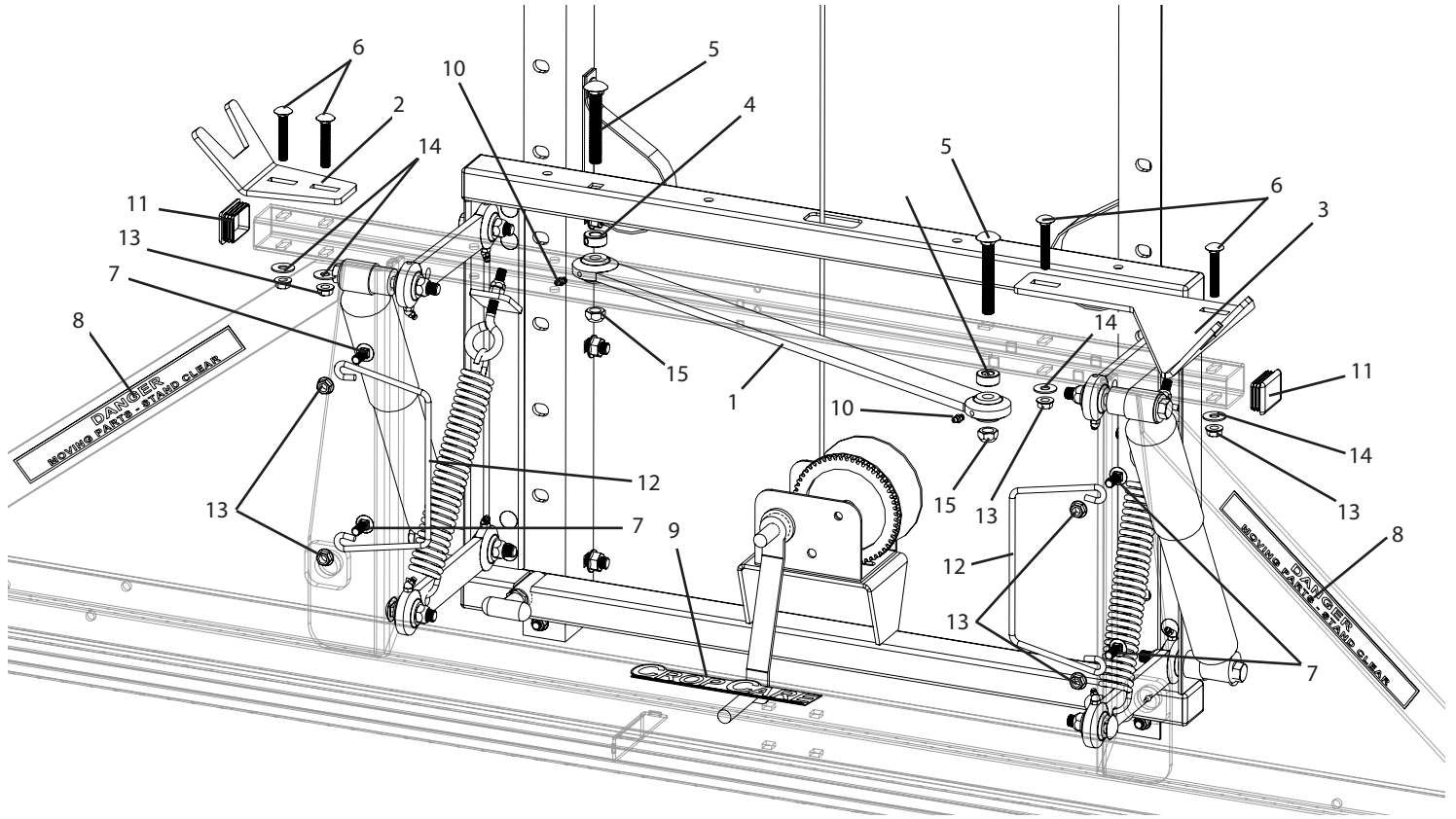


Ref#	Qty.	Part Number	Description
1	4	BF30HB15	Link, Side Shock Frame
2	1	BF30HB16	Center frame, 30ft, 40ft, 45ft booms
3	2	36081	Shock, Absorber HD
4	2	B116	Spring, Extension Blk 1.5" OD x 9.5" x .225"
5	4	SHOCKSPACER	Spacer, Shock
6	2	N221267	Bolt, Eye Closed 3/8-16 x 4" Zinc
7	2	NC38	Nut, Hex 3/8-16
8	8	GF102	Fitting, Grease 1/4-28 - 45°
9	2	H5C12*2	Bolt, Hex 1/2-13 x 2" Gr 5
10	4	H5C12*412	Bolt, Hex 1/2-13 x 4-1/2" Gr 5
11	2	CB12*2G5	Bolt, Carriage 1/2-13 x 2" Gr 5
12	8	SNC12	Nut, Lock Steel 1/2-13
13	4	FW12	Washer, Flat 1/2" USS

# HX30 Assembly Instructions

## Step 4

-Bolt top link to centerframe.

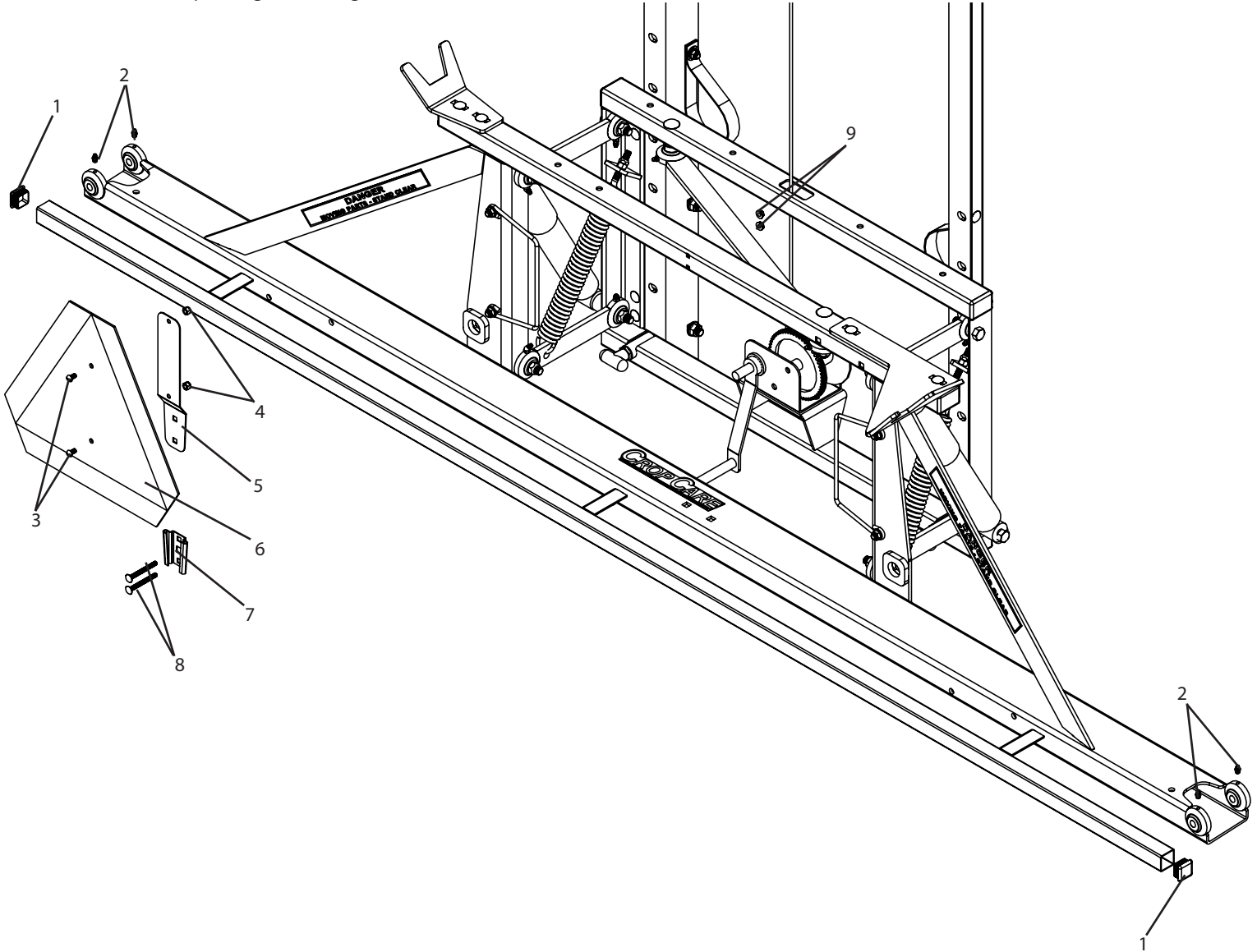


Ref#	Qty.	Part Number	Description
1	1	BF30HB14	Link, Top Shock Frame
2	1	BF30HB21	Prop, Boom Left
3	1	BF30HB22	Prop, Boom Right
4	2	0500P	Shaft Collar, 1/2"
5	2	CB12*312G5	Bolt, Carriage 1/2-13 x 3-1/2" Gr 5
6	4	CB38*214G5	Bolt, Carriage 3/8-16 x 2-1/4" Gr 5
7	4	CB38*1G5	Bolt, Carriage 3/8-16 x 1" Gr 5
8	2	DE24	Decal, "Danger Moving Parts Stand Clear"
9	1	DE46	Decal, CropCare Logo 1.9" x 8.8"
10	2	GF101	Fitting, Grease 1/4-28 Straight
11	2	PPRE112*2*10-14	Plug, Plastic 1-1/2" x 2" x 10-14 Ga Black
12	2	T486	Guide, Hose Small Trailer
13	8	FN38	Nut, Flange 3/8-16
14	4	FW38	Washer, Flat 3/8"
15	2	SNC12	Nut, Lock Steel 1/2-13

# HX30 Assembly Instructions

## Step 5

- Bolt SMV sign to centerframe.
- Install end caps and grease fittings.

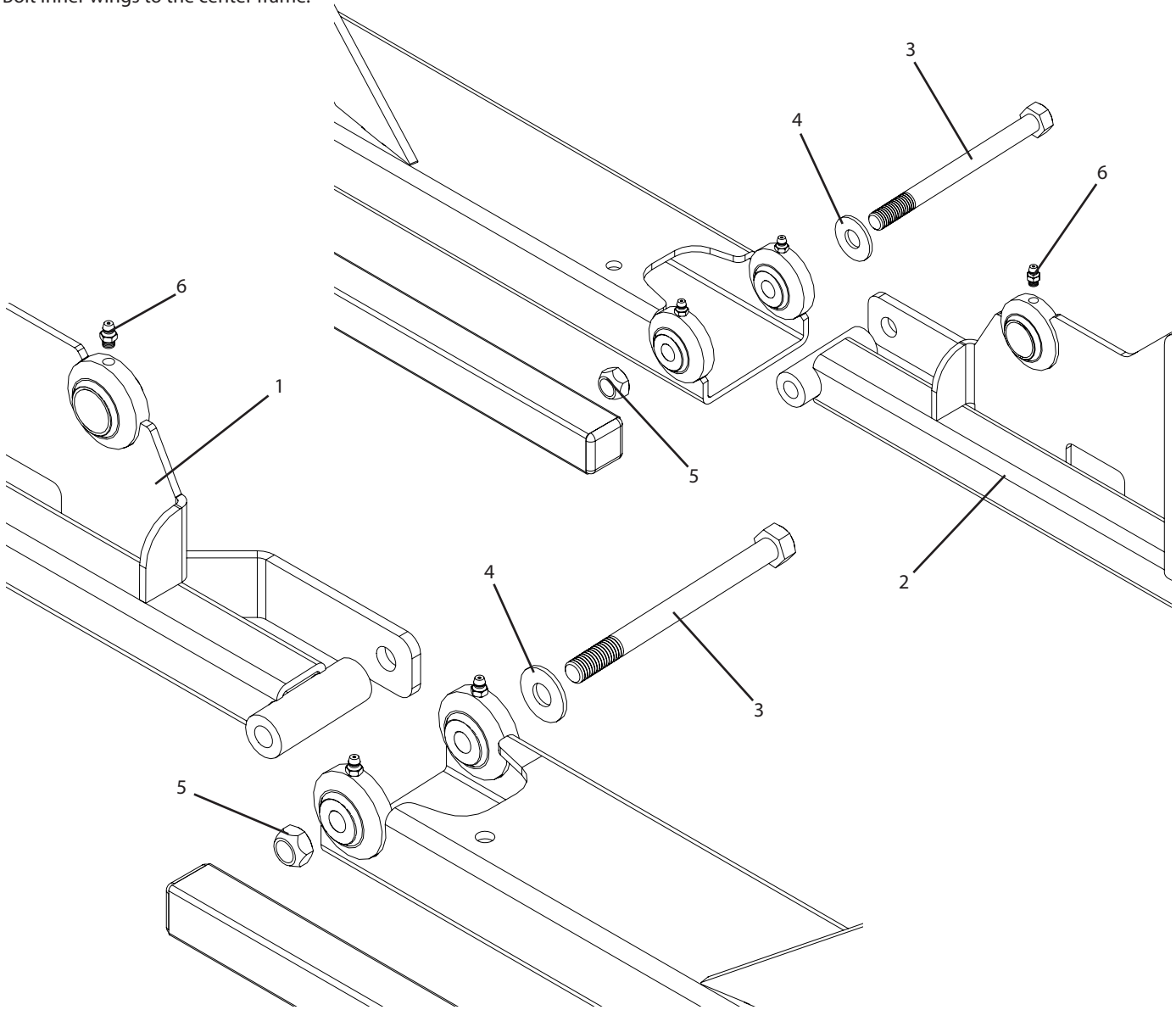


Ref#	Qty.	Part Number	Description
1	2	CC5520	Plug, Poly Square 1-1/4" x 14-20 Ga Blk
2	4	GF101	Fitting, Grease 1/4-28 Straight
3	2	MR14*58	Screw, Machine Rd Hd 1/4-20 x 5/8" Phillips Drive
4	2	NNC14	Nut, Lock Nylon 1/4-20
5	1	SMVB	Spade, SMV
6	1	SMVM	Sign, SMV Metal 14" x 16"
7	1	SMVS	Socket, SMV
8	2	CB14*212G5	Bolt, Carriage 1/4-20 x 2-1/2" Gr 5
9	2	FN14	Nut, Flange 1/4-20

# HX30 Assembly Instructions

## Step 6

-Bolt Inner wings to the center frame.

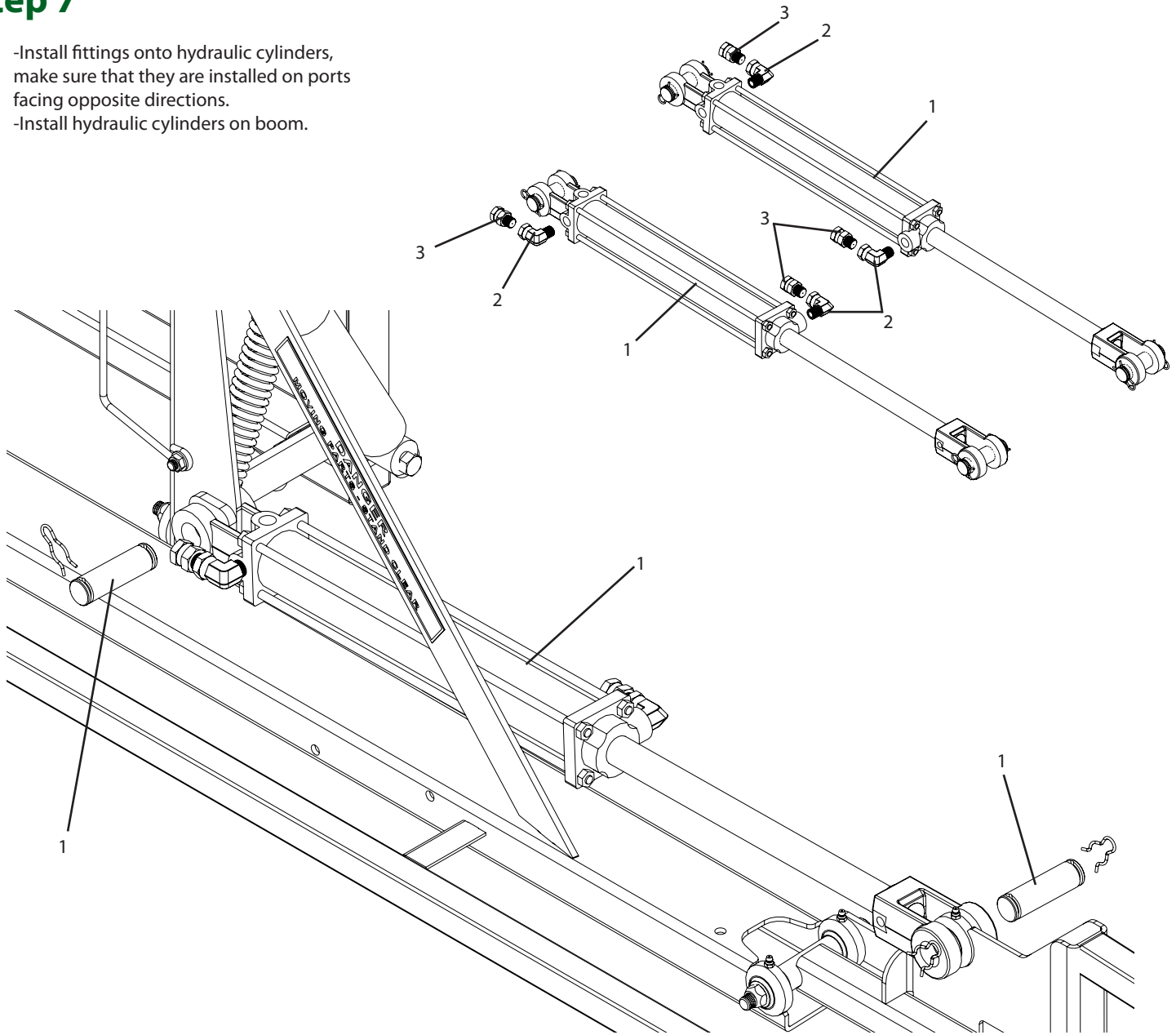


Ref#	Qty.	Part Number	Description
1	1	BF30HB26	Boom wing, left, inner, HX30
2	1	BF30HB27	Boom wing, right, inner, BF30H
3	2	H8C12*6	Bolt, Hex 1/2-13 x 6" Gr 8
4	2	FW12	Washer, Flat 1/2" USS
5	2	SNC12	Nut, Lock Steel 1/2-13
6	2	GF101	Fitting, Grease 1/4-28 Straight

# HX30 Assembly Instructions

## Step 7

- Install fittings onto hydraulic cylinders, make sure that they are installed on ports facing opposite directions.
- Install hydraulic cylinders on boom.



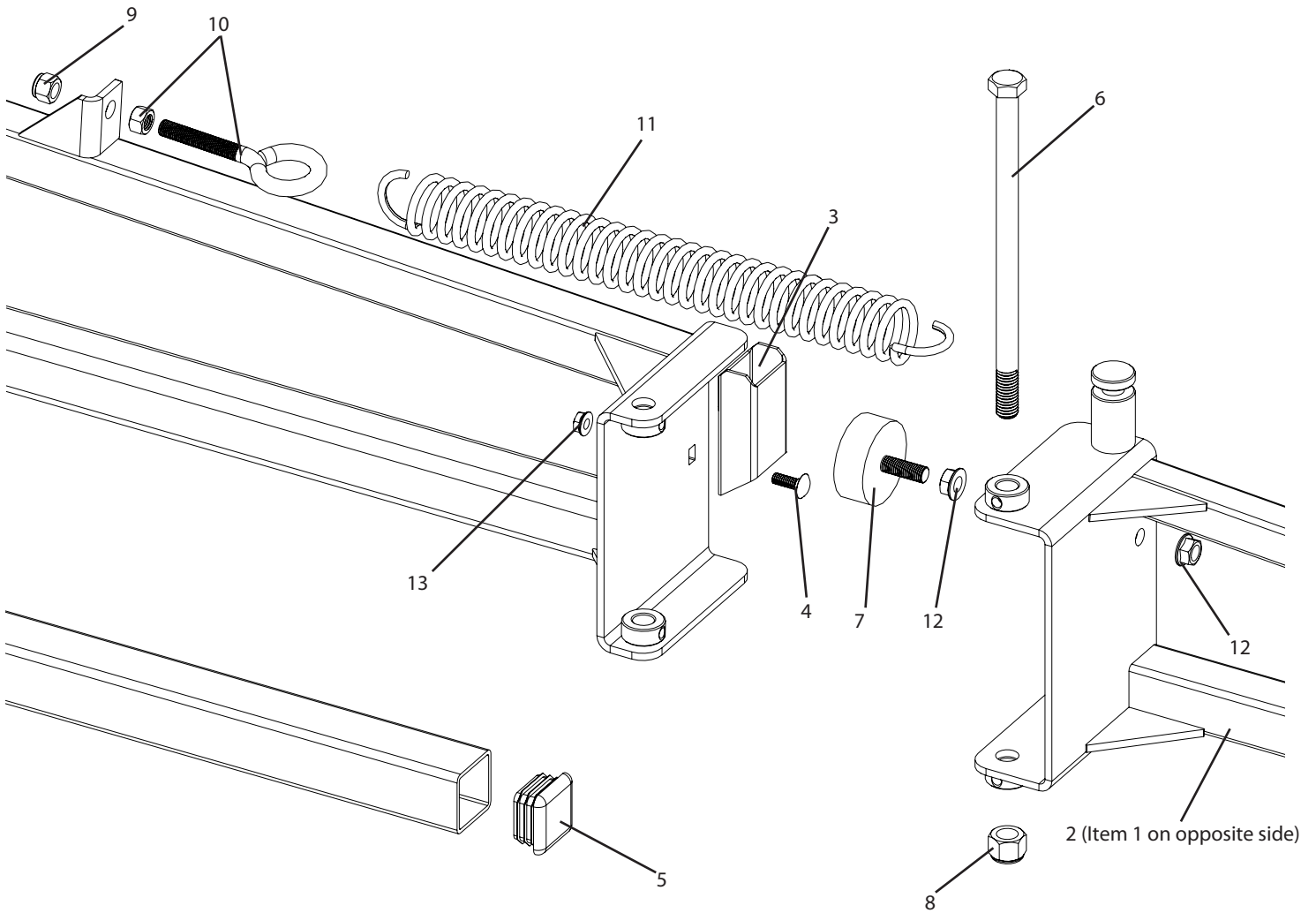
Ref#	Qty.	Part Number	Description
1	2	20TX14-112	Cylinder, Hyd Black 2" Bore x 14" Stroke 2500 PSI
2	4	1501-06-06	Elbow, Hyd. 90° 3/8" MPT x 3/8" FPT Swivel
3	4	1404R-06-06-.032	Restrictor, Hyd 0.032 Orifice 3/8" MPT x 3/8" FPT Swivel



# HX30 Assembly Instructions

## Step 8

-Install outer wings onto boom.



Ref#	Qty.	Part Number	Description
1	1	BF30HB24	30' boom, outer wing, left
2	1	BF30HB25	30' boom, outer wing, right
3	2	BF45XA06	Wing stop spacer
4	2	CB14*34	Bolt, Carriage 1/4-20 x 3/4" Gr 2
5	2	CC5520	Plug, Poly Square 1-1/4" x 14-20 Ga Blk
6	2	H5C12*812	Bolt, Hex 1/2-13 x 8-1/2" Gr 5
7	2	2NPG6	Mount, Rubber 2" O.D. 3/8-16 Stud
8	2	NNC12	Nut, Lock Nylon 1/2-13
9	2	NNC38	Nut, Lock Nylon 3/8-16
10	2	N221267	Bolt, Eye Closed 3/8-16 x 4" Zinc
11	2	S-371	Spring, Extension 1-3/16" x 10.8" x 0.162"
12	4	FN38	Nut, Flange 3/8-16
13	2	FN14	Nut, Flange 1/4-20