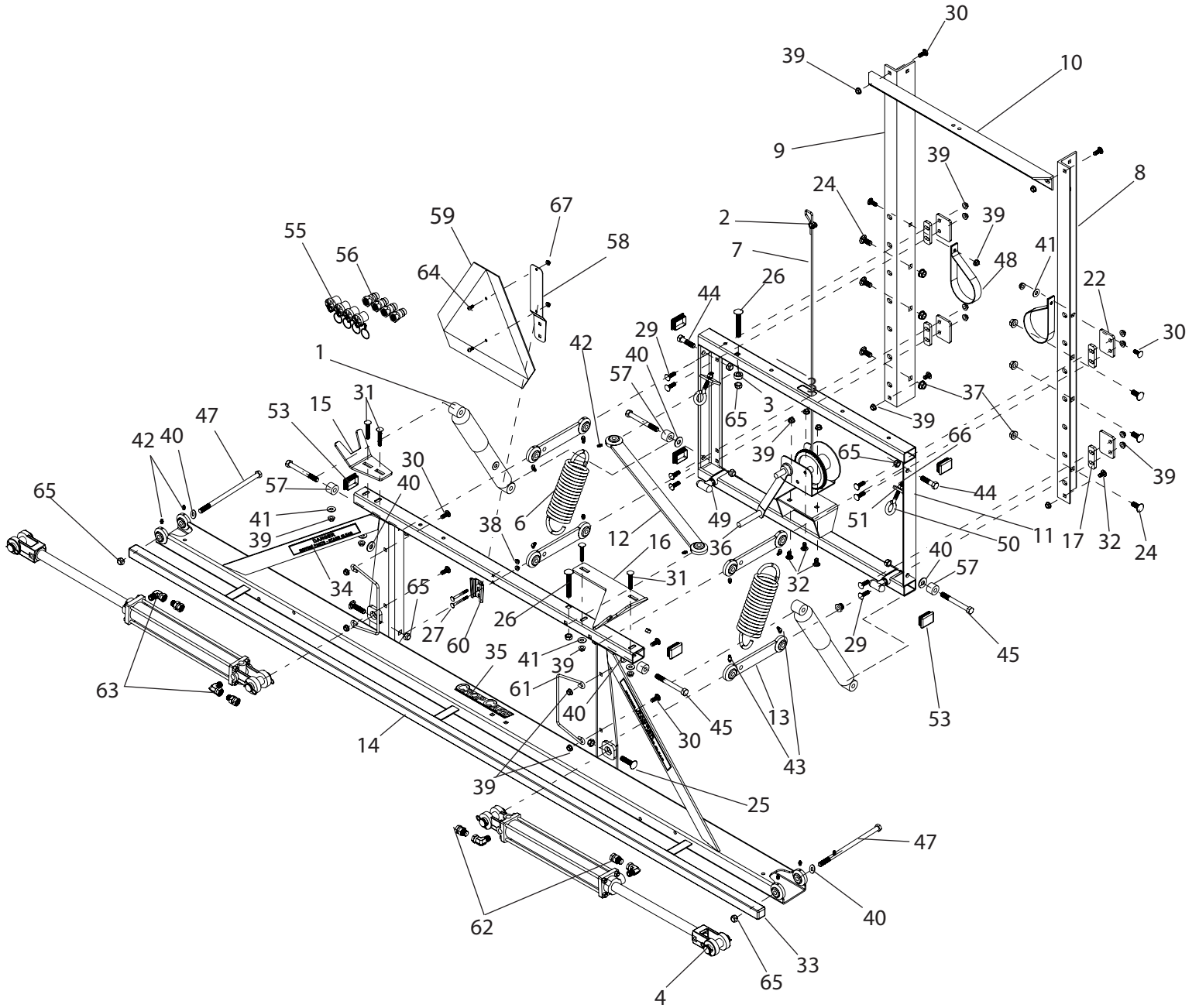
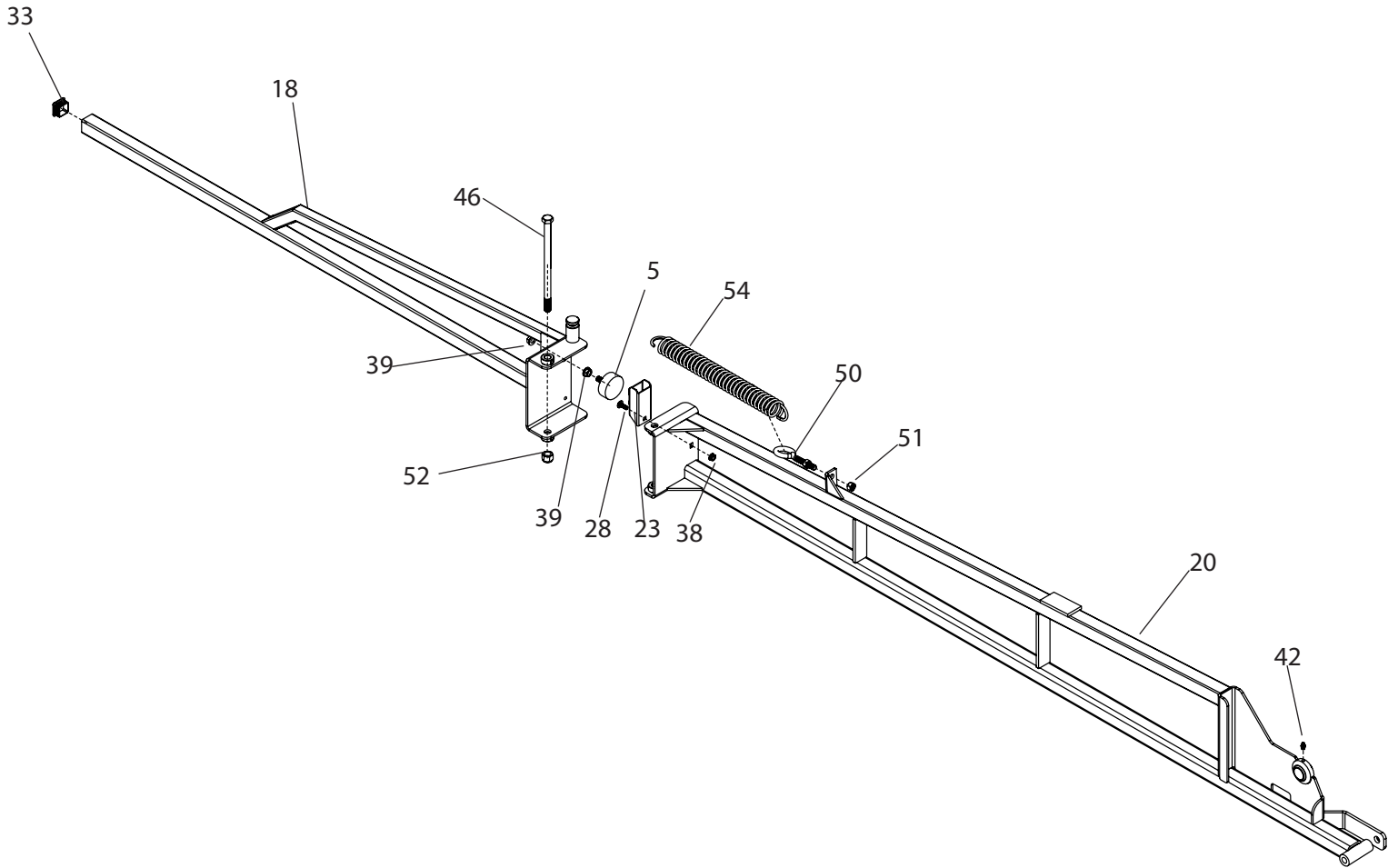


HX30 Breakdown

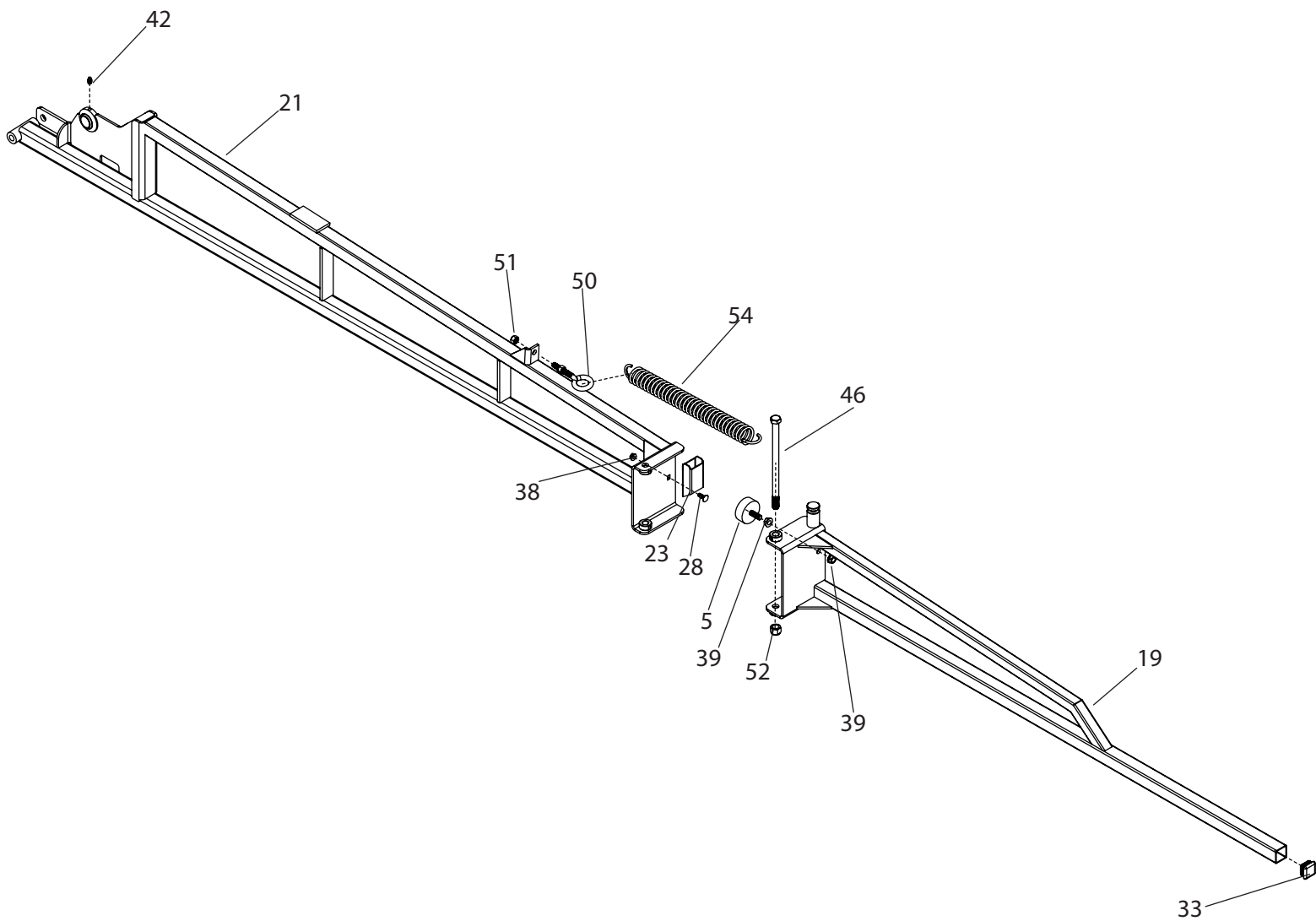
Boom, 30' X-Fold Hydraulic



HX30 Breakdown



HX30 Breakdown



Parts List

Ref #	Qty.	Part Numbers	Description
1	2	36081	Shock Absorber, HD
2	1	04006	Clamp, Wire Rope 3/16" SS
3	2	0500P	Shaft Collar, 1/2"
4	2	20TX14-112	Cylinder, Hyd Black 2" Bore x 14" Stroke 2500 PSI
5	2	2NPG6	Rubber Mount, 2" O.D. 3/8-16 Stud
6	2	B116	Spring, Extension Blk 1.5" OD x 9.5" x .225"
7	1	BC004	Cable, Wire SS Boom Lift 30' & 40' 3/16"
8	1	BF30HB10	Upright angle, right
9	1	BF30HB11	Upright angle, left
10	1	BF30HB12	Top angle
11	1	BF30HB13	Boom slider frame
12	1	BF30HB14	Link, Top Shock Frame
13	4	BF30HB15	Link, Side Shock Frame
14	1	BF30HB16	Center frame, 30ft, 40ft, 45ft booms
15	1	BF30HB21	Prop, Boom Left
16	1	BF30HB22	Prop, Boom Right
17	4	BF30HB23	Spacer, Slide Clip
18	1	BF30HB24	30' boom, outer wing, left
19	1	BF30HB25	30' boom, outer wing, right
20	1	BF30HB26	Boom wing, left, inner, BF30H
21	1	BF30HB27	Boom wing, right, inner, BF30H
22	4	BF409	Clip, Side Boom
23	2	BF45XA06	Wing stop spacer
24	6	CB12*114G5	Bolt, Carriage 1/2-13 x 1 1/4" Gr 5
25	2	CB12*2G5	Bolt, Carriage 1/2-13 x 2" Gr 5
26	2	CB12*312G5	Bolt, Carriage 1/2-13 x 3-1/2" Gr 5
27	2	CB14*212G5	Bolt, Carriage 1/4-20 x 2-1/2" Gr 5
28	2	CB14*34G5	Carriage bolt, 1/4-20 x 3/4", grade 5
29	8	CB38*114G5	Bolt, Carriage 3/8-16 x 1-1/4" Gr 5
30	8	CB38*1G5	Bolt, Carriage 3/8-16 x 1" Gr 5
31	4	CB38*214G5	Bolt, Carriage 3/8-16 x 2-1/4" Gr 5
32	5	CB38*34G5	Bolt, Carriage 3/8-16 x 3/4" Gr 5
33	4	CC5520	Cap, Poly Square 1-1/4" x 14-20 Ga Blk
34	2	DE24	Decal, "Danger Moving Parts Stand Clear"
35	1	DE46	Decal, CropCare logo, 1.9" x 8.8"
36	1	DLB800	Winch, Manual 800 lb Capacity w/Brake
37	6	FN12	Nut, Flange 1/2-13
38	4	FN14	Nut, Flange 1/4-20
39	29	FN38	Nut, Flange 3/8-16
40	6	FW12	Washer, Flat 1/2" USS

Parts List Continued

Ref #	Qty.	Part Numbers	Description
41	6	FW38	Washer, Flat 3/8"
42	8	GF101	Grease Fitting, 1/4-28 Straight
43	8	GF102	Grease Fitting, 1/4-28 - 45°
44	2	H5C12*2	Bolt, Hex 1/2-13 x 2" Gr 5
45	4	H5C12*412	Bolt, Hex 1/2-13 x 4-1/2" Gr 5
46	2	H5C12*812	Bolt, Hex 1/2-13 x 8-1/2" Gr 5
47	2	H8C12*6	Bolt, Hex 1/2-13 x 6" Gr 8
48	2	HS1000	Hose Holder, Nylon Strap
49	2	K320PLOBBA	Pin, Pull w/ T-handle 1/2" w/ lock-out
50	4	N221267	Bolt, Eye Closed 3/8-16 x 4" Zinc
51	2	NNC38	Nut, Lock Nylon 3/8-16
52	2	NNC12	Nut, Lock Nylon 1/2-13
53	6	PPRE112*2*10-14	Plug, Plastic 1-1/2" x 2" x 10-14 Ga Black
54	2	S-371	Spring, Extension 1-3/16" x 10.8" x 0.162"
55	4	S-49-4	Cap, Dust Hyd 1/2" Fits S20-S40-S70
56	4	S-71-4	Tip, Hyd Male 1/2" FPT Fits S20-S40-S70
57	4	SHOCKSPACER	Spacer, Shock
58	1	SMVB	Spade, SMV
59	1	SMVM	Sign, SMV Metal 14" x 16"
60	1	SMVS	Socket, SMV
61	2	T486	Hose guide, Small Trailer
62	4	1404R-06-06-.032	Restrictor, Hyd 0.032 Orifice 3/8" MPT x 3/8" FPT Swivel
63	4	1501-06-06	Elbow, Hyd. 90 deg 3/8" MPT x 3/8" FPT Swivel
64	2	MR14*58	Screw, Machine Round Head, 1/4-20 x 5/8"
65	12	SNC12	Nut, Lock Steel 1/2-13
66	2	NC38	Nut, Hex 3/8-16
67	2	NNC14	Nut, Lock Nylon 1/4-20