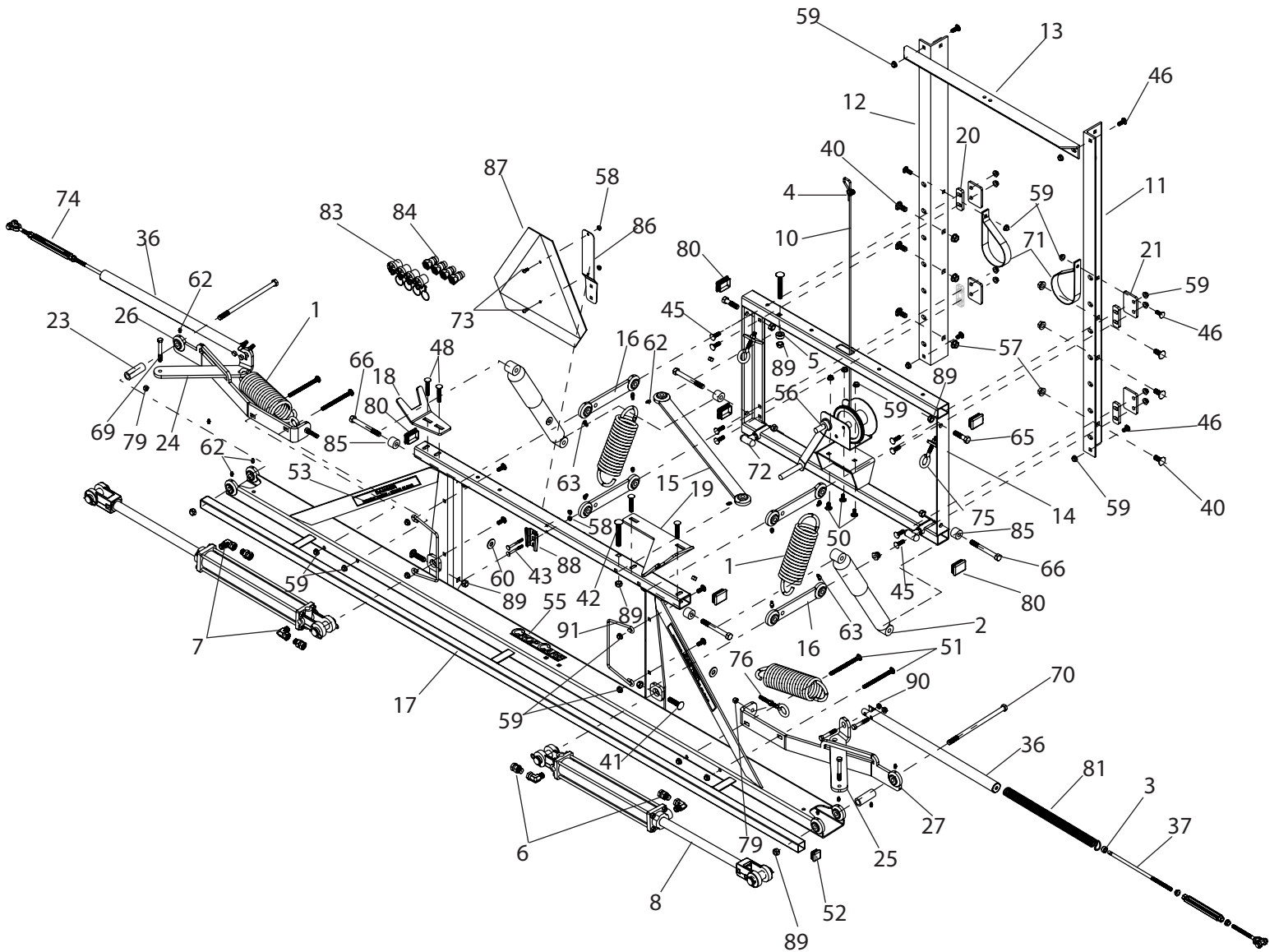
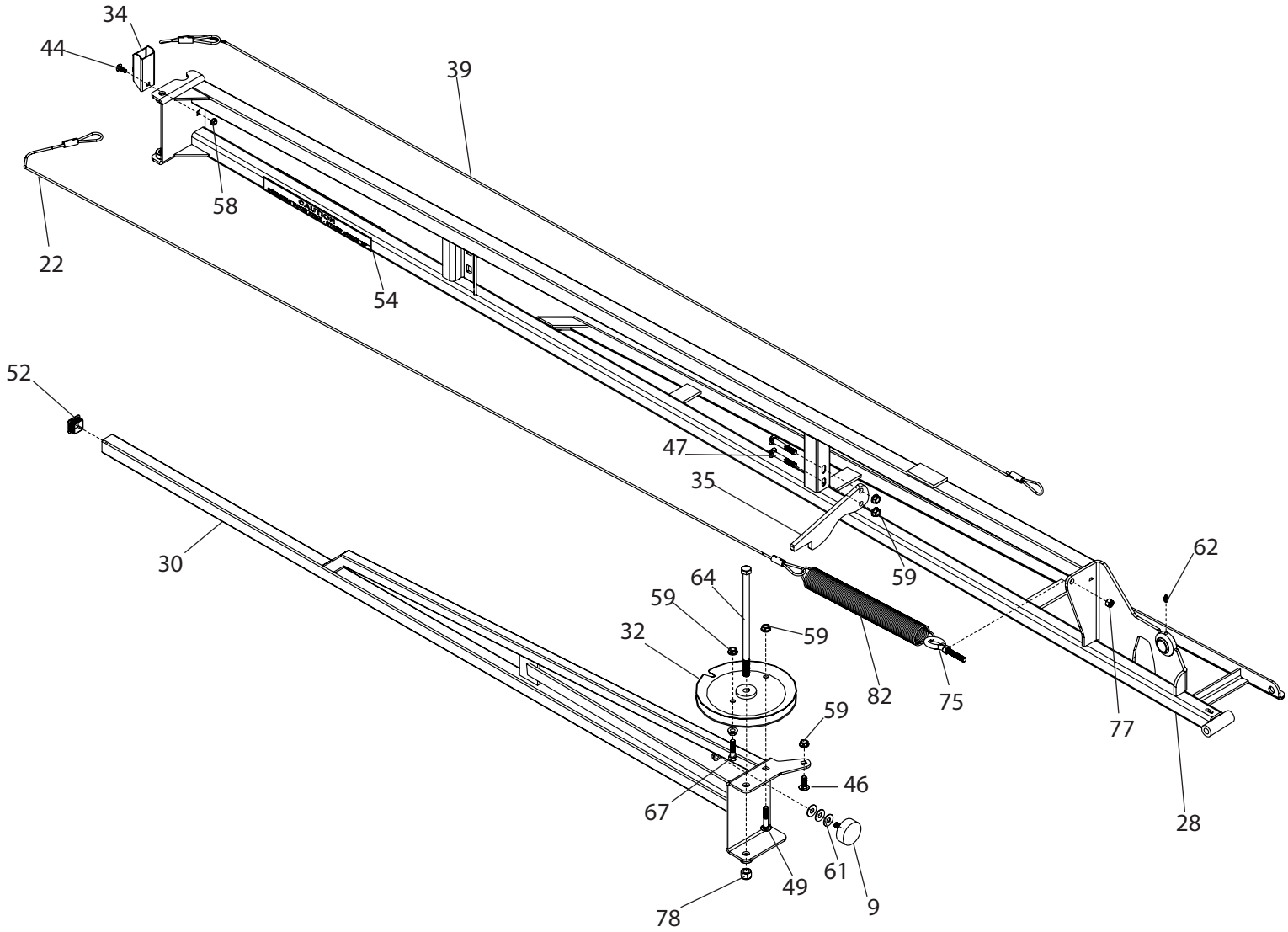


CROPCARE

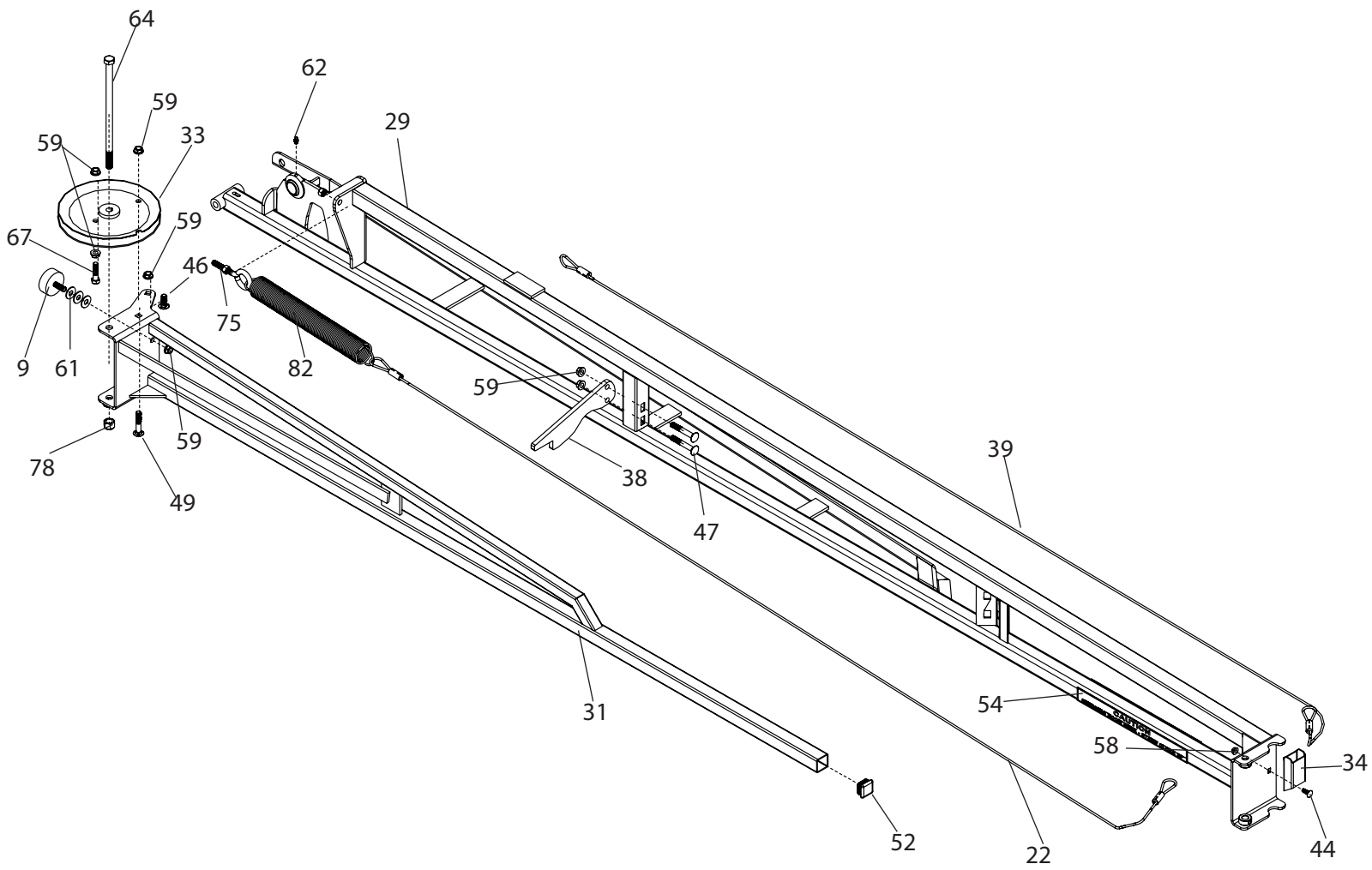
HX40 Breakdown



HX40 Breakdown



HX40 Breakdown



Parts List

Ref #	Qty.	Part Numbers	Description
1	4	12978	Spring, Extension 3" x 10"
2	2	36081	Shock Absorber, HD
3	2	0375P	Shaft Collar, 3/8"
4	1	04006	Clamp, Wire Rope 3/16" SS
5	2	0500P	Shaft Collar, 1/2"
6	4	1404R-06-06-.032	Restrictor, Hyd 0.032 Orifice 3/8" MPT x 3/8" FPT Swivel
7	4	1501-06-06	Elbow, Hyd. 90° 3/8" MPT x 3/8" FPT Swivel
8	2	20TX14-112	Cylinder, Hyd Black 2" Bore x 14" Stroke 2500 PSI
9	2	2NPG6	Rubber Mount, 2" O.D. 3/8-16 Stud
10	1	BC004	Cable, Wire SS Boom Lift 30' & 40' 3/16"
11	1	BF30HB10	Upright angle, right
12	1	BF30HB11	Upright angle, left
13	1	BF30HB12	Top angle
14	1	BF30HB13	Boom slider frame
15	1	BF30HB14	Link, Top Shock Frame
16	4	BF30HB15	Link, Side Shock Frame
17	1	BF30HB16	Center frame, 30ft, 40ft, 45ft booms
18	1	BF30HB21	Prop, Boom Left
19	1	BF30HB22	Prop, Boom Right
20	4	BF30HB23	Spacer, Slide Clip
21	4	BF409	Clip, Side Boom
22	2	BF40H18	Cable, Wire SS 5/32" Return BF40H
23	2	BF40H19	Spacer, Hinge 5/8" ID x 1" OD x 2-3/4" long
24	1	BF40H20	Breakaway spring mount
25	1	BF40H21	Spring Link, Breakaway, right
26	1	BF40H22	Spring Mount, Breakaway Left
27	1	BF40H23	Spring Mount, Breakaway Right
28	1	BF40H24	Inner wing, left, 40ft, 45ft, X-fold
29	1	BF40H25	Inner wing, right, 40ft, 45ft, X-fold
30	1	BF40XA01	Boom wing, left, outer, BF40X
31	1	BF40XA02	Boom wing, right, outer, BF40X
32	1	BF45XA01	45' boom, pulley weldment, left
33	1	BF45XA02	45' boom, pulley weldment, right
34	2	BF45XA06	Wing stop spacer
35	1	BF45XA07	Wing fold stop, right
36	2	BF45XA08	45' X-fold boom, Cable sleeve
37	2	BF45XA09	Cable adjustment, rod
38	1	BF45XA10	Wing fold stop, left
39	2	BF45XA11	Cable, Boom Front 40 - 45 Ft X-Fold
40	6	CB12*114G5	Bolt, Carriage 1/2-13 x 1 1/4" Gr 5
41	2	CB12*2G5	Bolt, Carriage 1/2-13 x 2" Gr 5
42	2	CB12*312G5	Bolt, Carriage 1/2-13 x 3-1/2" Gr 5

Parts List Continued

Ref #	Qty.	Part Numbers	Description
43	2	CB14*212G5	Bolt, Carriage 1/4-20 x 2-1/2" Gr 5
44	2	CB14*34	Bolt, Carriage 1/4-20 x 3/4" Gr 2
45	8	CB38*114G5	Bolt, Carriage 3/8-16 x 1-1/4" Gr 5
46	10	CB38*1G5	Bolt, Carriage 3/8-16 x 1" Gr 5
47	4	CB38*212G5	Bolt, Carriage 3/8-16 x 2-1/2" Gr 5
48	4	CB38*214G5	Bolt, Carriage 3/8-16 x 2-1/4" Gr 5
49	2	CB38*2G5	Bolt, Carriage 3/8-16 x 2" Gr 5
50	5	CB38*34G5	Bolt, Carriage 3/8-16 x 3/4" Gr 5
51	4	CB38*5G5	Bolt, Carriage 3/8-16 x 5" Gr 5
52	4	CC5520	Cap, Poly Square 1-1/4" x 14-20 Ga Blk
53	2	DE24	Decal, "Danger Moving Parts Stand Clear"
54	4	DE26	Decal, "Caution Swinging Boom Area"
55	1	DE46	Decal, CropCare logo, 1.9" x 8.8"
56	1	DLB800	Winch, Manual 800 lb Capacity w/Brake
57	6	FN12	Nut, Flange 1/2-13
58	6	FN14	Nut, Flange 1/4-20
59	49	FN38	Nut, Flange 3/8-16
60	4	FW12	Washer, Flat 1/2" USS
61	12	FW38	Washer, Flat 3/8"
62	10	GF101	Grease Fitting, 1/4-28 Straight
63	8	GF102	Grease Fitting, 1/4-28 - 45°
64	2	H5C12*10	Bolt, Hex 1/2-13 x 10" Gr 5
65	2	H5C12*2	Bolt, Hex 1/2-13 x 2" Gr 5
66	4	H5C12*412	Bolt, Hex 1/2-13 x 4-1/2" Gr 5
67	2	H5C38*112	Bolt, Hex 3/8-16 x 1-1/2" Gr 5
68	4	H5C38*214	Bolt, Hex 3/8-16 x 2-1/4" Gr 5
69	2	H5C38*3	Bolt, Hex 3/8-16 x 3" Gr 5
70	2	H8C12*10	Bolt, Hex 1/2-13 x 10" Gr 8 Zinc
71	2	HS1000	Hose Holder, Nylon Strap
72	2	K320PLOBBA	Pin, Pull w/T-handle 1/2" w/ lock-out
73	2	MR14*58	Screw, Machine Rd Hd 1/4-20 x 5/8" Phillips Drive
74	2	N177350	Turnbuckle, Jaw & Jaw 3/8" x 6" Galv
75	4	N221267	Bolt, Eye Closed 3/8-16 x 4" Zinc
76	2	N221275	Bolt, Eye Closed 3/8-16 x 5" Zinc
77	6	NC38	Nut, Hex 3/8-16
78	2	NNC12	Nut, Lock Nylon 1/2-13
79	2	NNC38	Nut, Lock Nylon 3/8-16
80	6	PPRE112*2*10-14	Plug, Plastic 1-1/2" x 2" x 10-14 Ga Black
81	2	S-303	Spring, Extension 1.0" x 12.0" x .105" Zinc
82	2	S-359	Spring, Extension 1-3/4" x 14" x 0.207"
83	4	S49-4	Cap, Dust Hyd 1/2" Fits S20-S40-S70

Parts List Continued

Ref #	Qty.	Part Numbers	Description
84	4	S71-4	Tip, Hyd Male 1/2" FPT Fits S20-S40-S70
85	4	SHOCKSPACER	Spacer, Shock
86	1	SMVB	Spade, SMV
87	1	SMVM	Sign, SMV Metal 14" x 16"
88	1	SMVS	Socket, SMV
89	12	SNC12	Nut, Lock Steel 1/2-13
90	2	SNC38	Nut, Lock Steel 3/8-16
91	2	T486	Hose guide, Small Trailer

Assembled

