



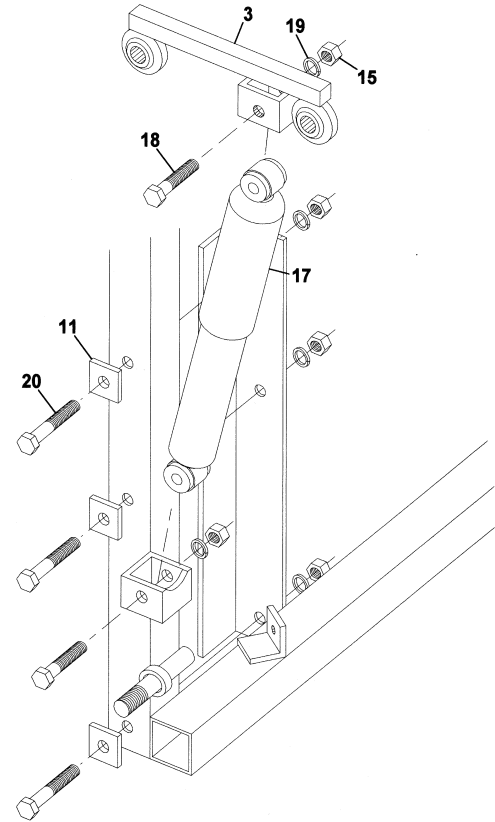
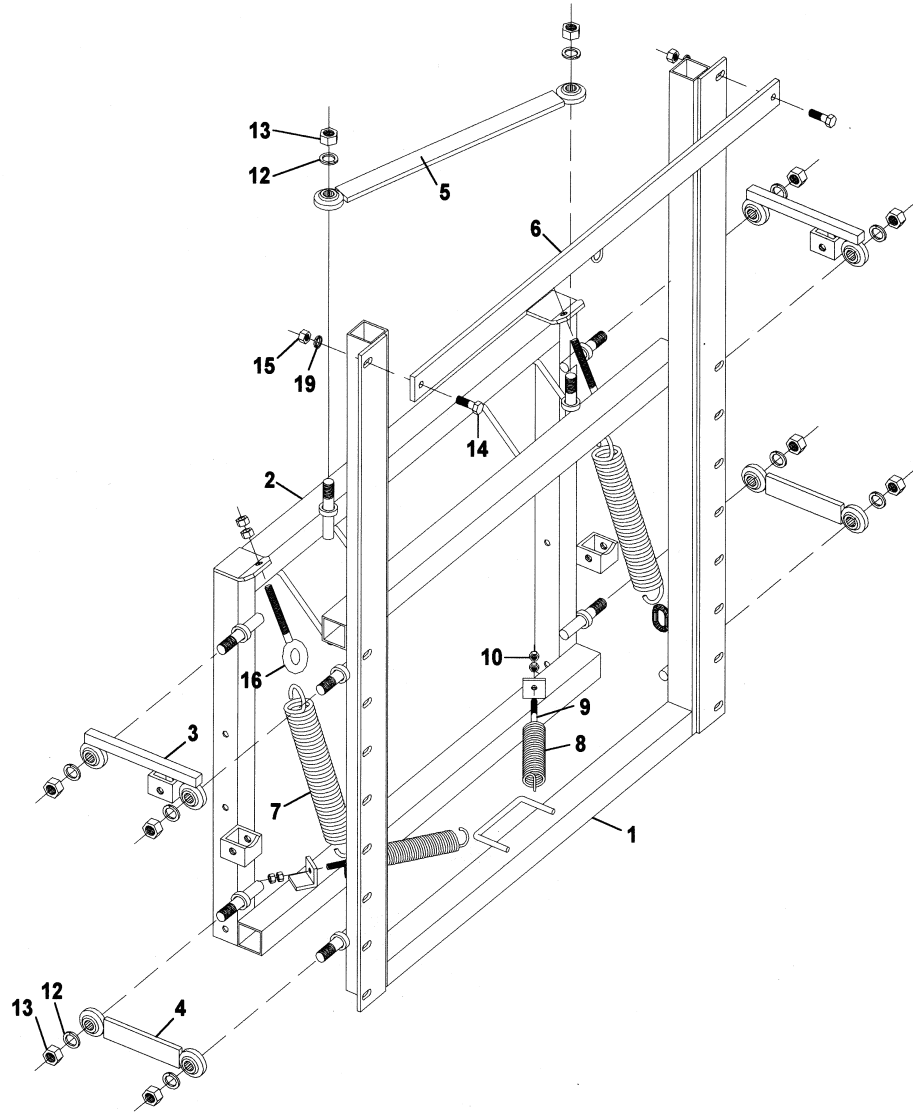
50 Woodcorner Rd * Lititz PA 17543 * (717) 738-7350

Model # BF45C
45' Hydraulic Fold Boom

BS800 Shock Frame Parts

Ref#	Qty	Part#	Description
1	1	BS800A1	Rear Frame
2	1	BS800A2	Front Frame
3	2	BS800A3	Top link with shock mount
4	2	BS800A4	Bottom link
5	1	BS800A5	Side sway link
6	1	BS800A6	Top cable support bar
7	2	B117	Extension spring 2.1" OD x 13" long
8	2	B113	Extension spring 1.75" OD x 8" long
9	2	N221283	Eye bolt 3/8" x 6"
10	4	NC38	3/8" coarse thread nut
11	6	BS800A7	Square washer 1/2" x 1-1/2"
12	10	LW34	3/4" lock washer
13	10	NC34	3/4" coarse thread nut
14	2	H5C12*114	1/2" x 1-1/4" bolt
15	12	NC12	1/2" coarse thread nut
16	2	N221317	Eye bolt 1/2" x 6"
17	2	36081	Shock absorber
18	4	H5C12*212	1/2" x 2-1/2" bolt
19	12	LW12	1/2" lock washer
20	6	H5C12*314	1/2" x 3-1/4" bolt

BS800 Shock Frame



BF45C Boom Parts

Ref#	Qty	Part#	Description	Ref#	Qty	Part#	Description
1	12	NC12	1/2" nut	31	4	H8F38*114	3/8" x 1-1/4" fine thread bolt
2	12	LW12	1/2" lock washer	32	4	H5C38*112	3/8" x 1-1/2" bolt
3	2	H5C1*312	1" x 3-1/2" bolt	33	4	NNC58	5/8" lock nut
4	2	01410	1/2" bent pin	34	8	075062075	5/8" x 3/4" steel bushing
5	4	BF45A3	Boom mounting clip	35	4	NF38G8	3/8" fine thread nut
6	4	BF45A4	Boom mounting clip spacer	36	1	BF45C12L	Outer boom left
7	2	NC34	3/4" nut		1	BF45C12R	Outer boom right (not shown)
8	2	BF45C19	Guide bushing	37	10	NNC12	1/2" lock nut
9	2	BF45C20	Guide pin	38	6	LW1	1" lock washer
10	6	MW34	3/4" machinery washer	39	6	NC1	1" nut
11	2	NC516	5/16" nut	40	4	N221283	3/8" x 6" eye bolt
12	1	BF45C44	Center frame	41	7	WRC316	3/16" cable clamp
13	2	H5C1*212	1" x 2-1/2" bolt	42	2	TS15	15" tarp strap
14	12	H5C12*112	1/2" x 1-1/2" bolt	43	2	H5C12*314	1/2" x 3-1/4" bolt
15	2	NC14	1/4" nut	44	8	FW12	1/2" flat washer
16	1	SMVB	SMV sign spade	45	2	B118	2" x 22-1/2" spring
17	1	SMVS	SMV socket	46	4	S71-4	Hydraulic coupler tip
18	2	CB516*1	5/16" x 1" carriage bolt	47	4	5406E-08-06	1/2" x 3/8" npt bushing
19	1	SMVP	SMV sign	48	1	BF45A14	1/4" x 23' hydraulic hose
20	2	SBR14*12	1/4" x 1/2" stove bolt	49	2	7310201	3/8" hydraulic ball valve
21	1	BF45C6L	Inner boom left	50	2	5500-06-06	3/8" mnpt hydraulic elbow
	1	BF45C6R	Inner boom right (not shown)	51	2	1503-06-06	3/8" npt hydraulic swivel elbow, 45 degree
22	2	BF45C18	Upper boom guide	52	1	DLB1200	Hand winch
23	4	H5C12*114	1/2" x 1-1/4" bolt	53	2	20CW14-112	2" x 14" hydraulic cylinder
24	4	BF45C9	Cable mounting bolt	54	2	H5C34*3	3/4" x 3" bolt
25	11	LW38	3/8" lock washer	55	2	BF45A15	1/4" x 22' hydraulic hose
26	11	NC38	3/8" lock nut	56	2	NF78	7/8" fine nut
27	4	H5C58*3	5/8" x 3" bolt	57	2	LW78	7/8" lock washer
28	5	H5C38*1	3/8" x 1" bolt	58	2	BF45C7	Control arm link
29	2	BF45C11	Cable pulley	59	4	FW38G8	3/8" flat washer grade 8
30	2		Stainless cable 3/16" x 244"	60	2	2H0106-06R	3/8" npt hydraulic orifice

BF45C Boom

