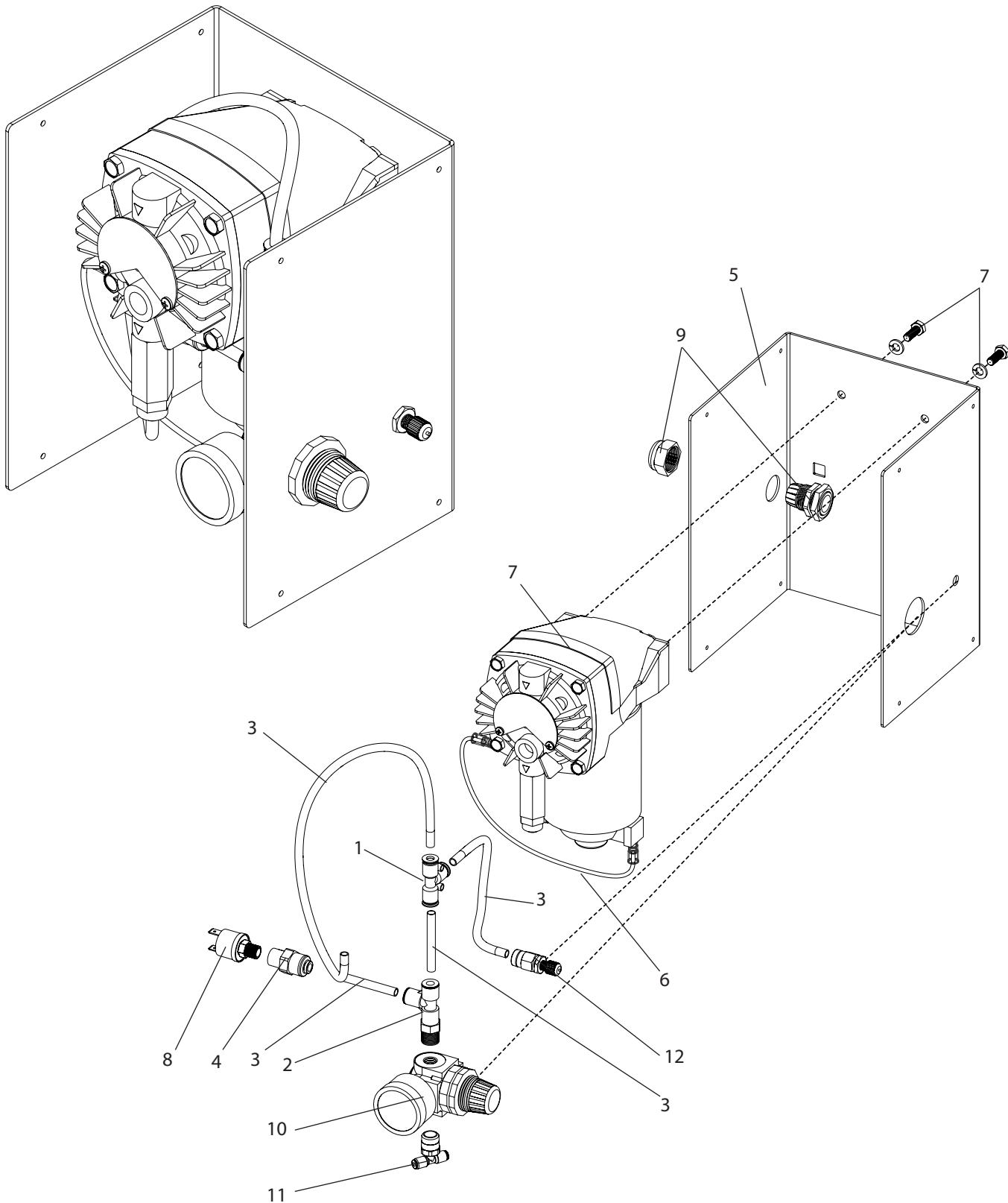


## BF45E48 Breakdown



## BF45E48 Breakdown

Ref #	Qty.	Part Numbers	Description
1	1	1164P-04-04-04	Tee, P-T-C 1/4" OD Tube Polymer
2	1	1171SP-04-04-04	Tee, Male Run 1/4" Hose P-T-C x 1/4NPT
3	2.34	5156N *	Tubing, Nylon 1/4" OD Black
4	1	A4FC2	Adapter, TrueSeal, 1/8" FPT x 1/4" Tube
5	1	BF45E45	Air compressor case, box
6	1	BF45E47	Boom, air ride compressor to pressure switch
7	1	CP26-299527	Piston Compressor, 12 volts, 75 watts, 0.92CFM, 131psi, with 1/4" OD push to connect and check valve
8	1	CSPS	Switch, Air Pressure Control 85-105 PSI
9	1	LPCG50	Strain Relief, 0.2" - 0.47" diameter, PVC
10	1	R162GP	Regulator, w/Gauge and Panel Mount Ring
11	1	W372PLP-2-4	Tee, Male Branch swivel 1/8" PTC x 1/4" MPT
12	1	WR1-760-3032	Valve, Air Inflation x P-T-C 1/4" Tube

\* Hose lengths: (2) 2", (1) 8", and (1) 16".