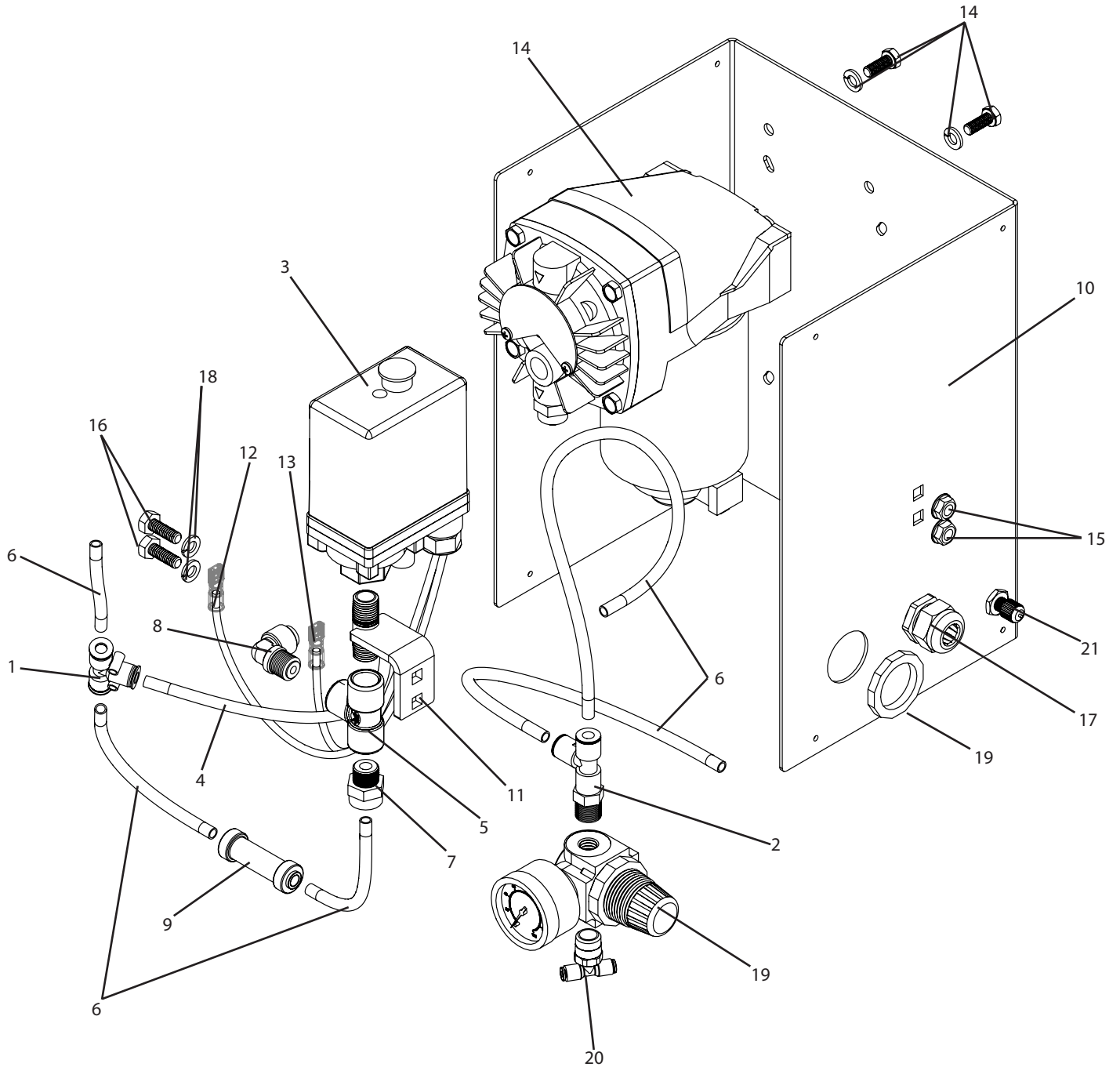


BF45E59 Breakdown

Air compressor kit, boom air ride



BF45E59 Breakdown

Air compressor kit, boom air ride

Ref#	Qty.	Part Number	Description
1	1	1164P-04-04-04	Tee, P-T-C 1/4" OD Tube Polymer
2	1	1171SP-04-04-04	Tee, Male Run 1/4" Hose P-T-C x 1/4NPT
3	1	200083-02	Switch, Pressure Adjustable w/Pressure Relief Max 180 PSI 20 PSI Differential
4	0.625 FT	2VDY8	Tubing, Nylon 6mm OD x 4mm ID Black
5	1	3TT14	Tee, 1/4" FPT, poly
6	3.5 FT	5156N	Tubing, Nylon 1/4" OD Black
7	1	A4MC4	Adapter, TrueSeal 1/4" MPT x 1/4" Tube
8	1	A4ME4	Adapter, TrueSeal Fitting 90° 1/4" Tube
9	1	A4VC4-MG	Valve, Check 1/4" Push-to-Connect
10	1	BF45E60	Air compressor case, box
11	1	BF45E62	Pressure regulator mount
12	1	BF45E63	Boom air ride, motor negative
13	1	BF45E64	Boom air ride, motor positive
14	1	CP26-299527 *	Piston Compressor, 12 volts, 75 watts, 0.92CFM, 131psi, with 1/4" OD push to connect
15	2	FN14	Nut, Flange 1/4-20
16	2	H5C14*34	Bolt, Hex 1/4-20 x 3/4" Gr 5
17	1	LPCG50	Strain Relief, 0.2" - 0.47" diameter, PVC
18	2	LW14	Washer, Lock 1/4"
19	1	R162GP	Regulator, w/Gauge and Panel Mount Ring
20	1	W372PLP-2-4	Tee, Male Branch swivel 1/8" PTC x 1/4" MPT
21	1	WR1-760-3032	Valve, Air Inflation x P-T-C 1/4" Tube

*Has component parts breakdown available.