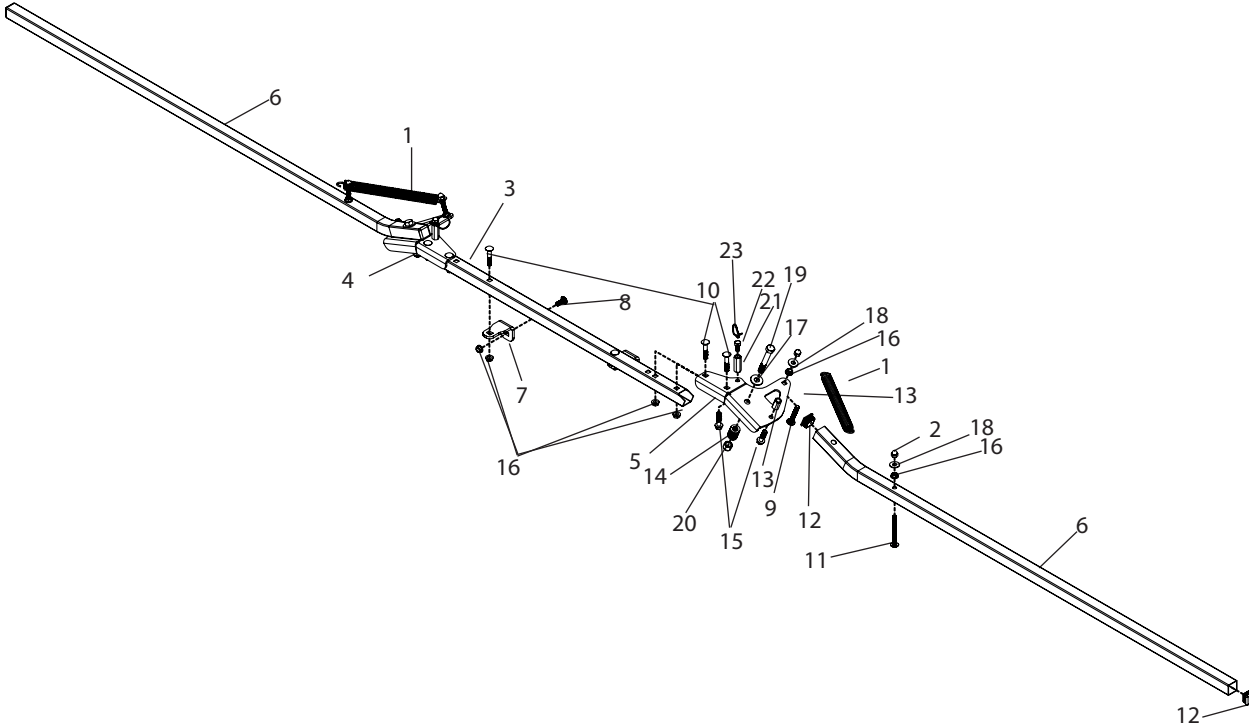


MX160 Breakdown

160" Manual Fold Boom



Ref #	Qty.	Part Number	Description
1	2	33*TS	Spring, Extension 1" x 8" (8.5" OAL)
2	4	AN38	Nut, Acorn 3/8-16
3	1	BF1220	12' boom, center tube
4	1	BF1221	12' boom, inner hinge, left
5	1	BF1222	12' boom, inner hinge, right
6	2	BF1223	12' boom, outer wing
7	2	BF1224	12' boom, mounting brackets
8	2	CB38*1G5	Bolt, Carriage 3/8-16 x 1" Gr 5
9	2	CB38*212G5	Bolt, Carriage 3/8-16 x 2-1/2" Gr 5
10	6	CB38*2G5	Bolt, Carriage 3/8-16 x 2" Gr 5
11	2	CB38*312G5	Bolt, Carriage 3/8-16 x 31/2" Gr 5
12	4	CC5520	Cap, Poly Square 1-1/4" x 14-20 Ga Blk
13	2	CN38*118	Nut, Coupling 3/8-16 x 1 1/8"
14	2	D-1335	Spring, Die 1/2" Rod ID x 2" x .225x.158 Wire 840lbs/in
15	4	FB38*112G5	Bolt, Flange 3/8-16 x 1 1/2" Gr 5
16	12	FN38	Nut, Flange 3/8-16
17	2	FW12	Washer, Flat 1/2" USS
18	4	FW38	Washer, Flat 3/8"
19	2	H5C12*4	Bolt, Hex 1/2-13 x 4" Gr 5
20	2	NNC12	Nut, Lock Nylon 1/2-13
21	2	CN38	Nut, Coupling 3/8-16 x 1-3/4"
22	2	H5C38*34	Bolt, Hex 3/8-16 x 3/4" Gr 5
23	2	618UV	Cable Tie, 6" 18 Lb black