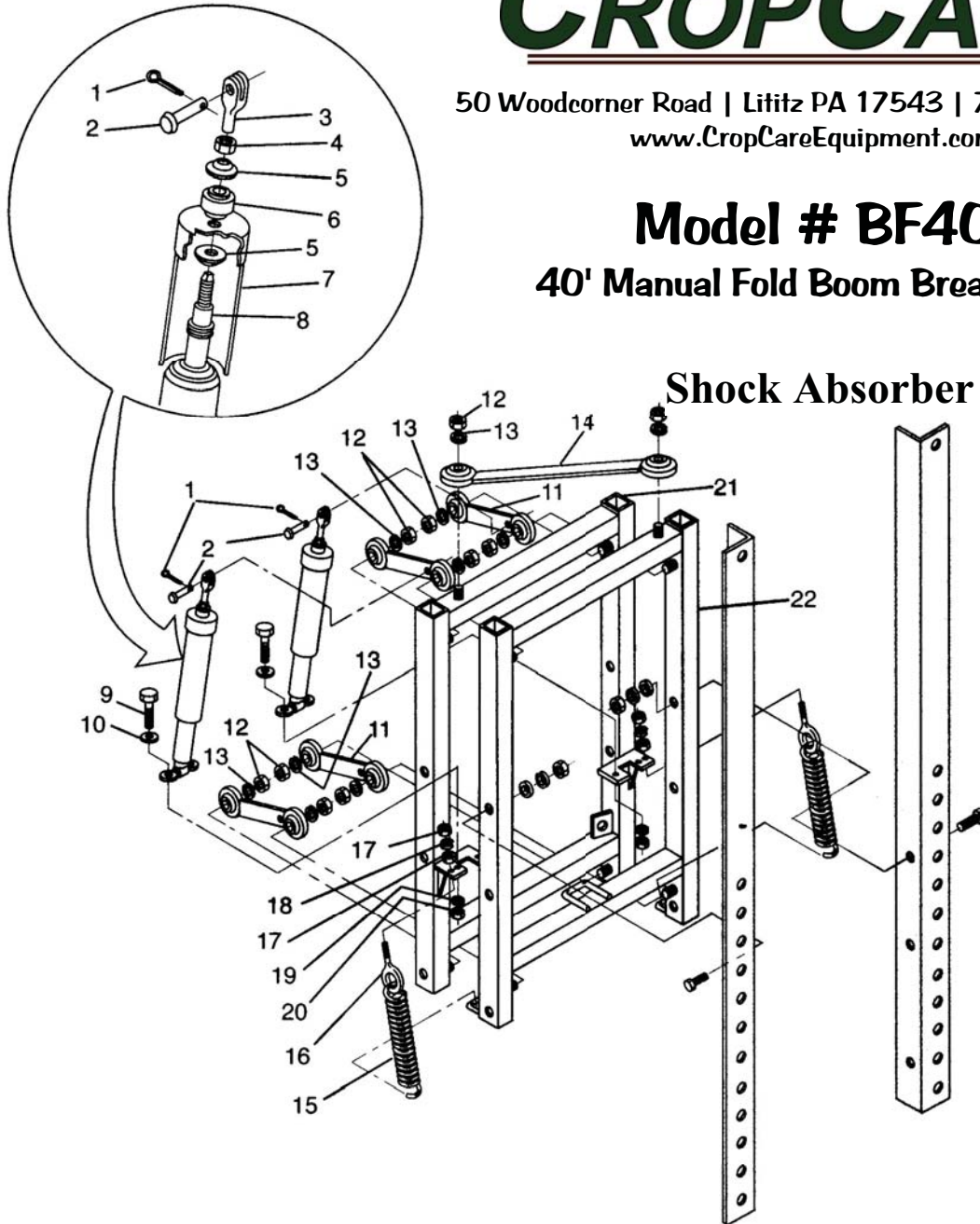


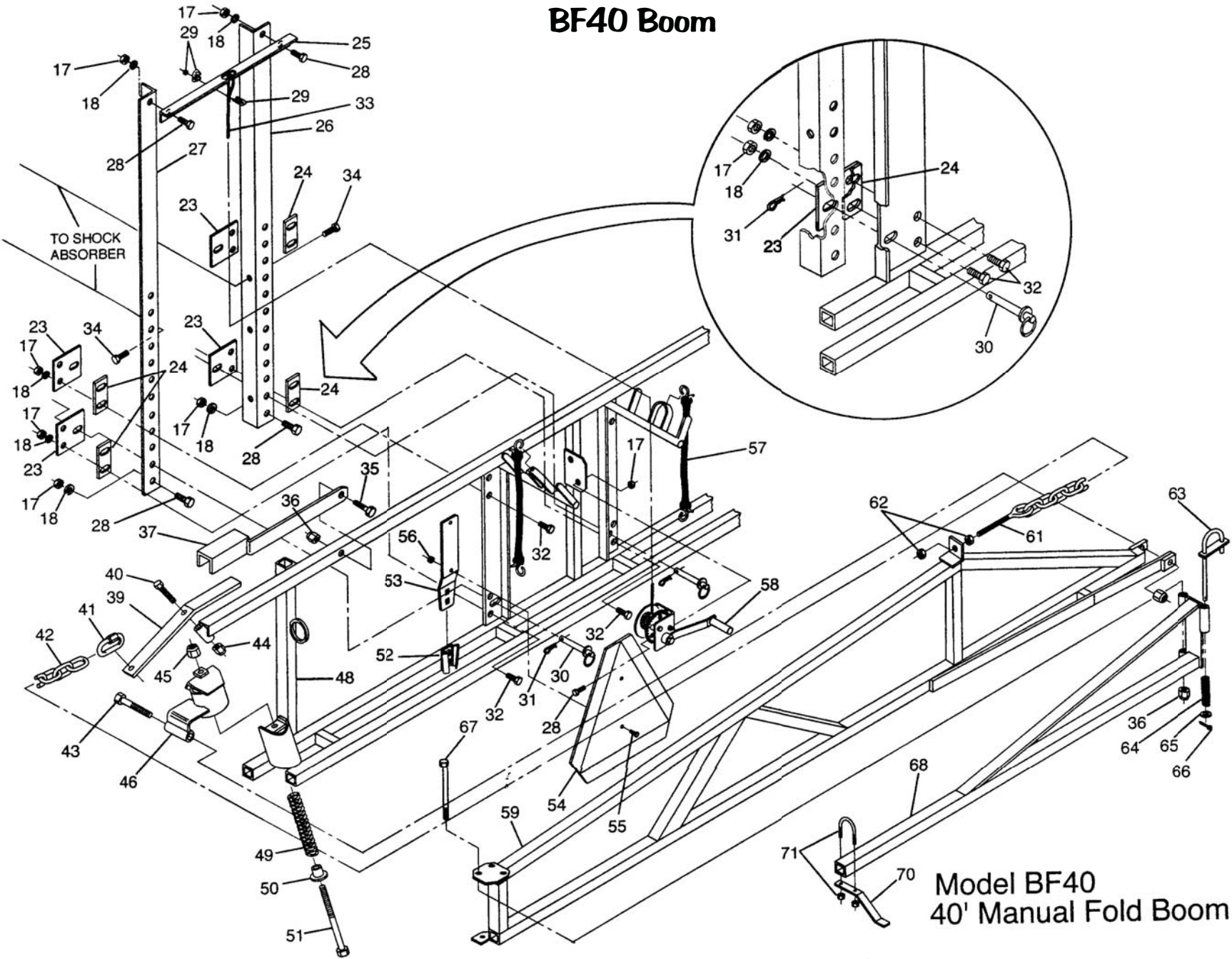
CROP CARE

50 Woodcorner Road | Lititz PA 17543 | 717-738-7350
www.CropCareEquipment.com

Model # BF40 40' Manual Fold Boom Breakdown



BF40 Boom



Ref#	Qty	Part#	Description
1	2	CT18*1	1/8" x 1" cotter pin
2	2	CP38*114	3/8" x 1-1/4" clevis pin
3	2	P27084	3/8" NF clevis rod end
4	2	NF38	3/8" NF nut
5	4		Washer (part of shock #48569)
6	2		Rubber bushing (part of shock #48569)
7	2	SC200	Shock cover
8	2	48569	Shock absorber
9	4	H5C516*114	5/16" x 1-1/4" bolt
10	4	FW516	5/16" flat washer
11	4	BS800S1	Shock link
12	10	NC58	5/8" NC nut
13	10	LW58	5/8" lock washer
14	1	BS800S2	Sway link
15	2	B116	Extension spring 1-1/2" x 9-1/2"
16	2	N221267	3/8" x 4" eye bolt
17	28	NC38	3/8" NC nut
18	32	LW38	3/8" lock washer
19	4	LW516	5/16" lock washer
20	4	NC516	5/16" NC nut
21	1	BS800S4	Shock frame front
22	1	BS800S3	Shock frame rear
23	4	BF409	Boom slide clip
24	4	BF4011	Boom slide clip spacer
25	1	BF4012	Boom cable support angle
26	1	BF4013R	Right boom support angle
27	1	BF4013L	Left boom support angle
28	6	H5C38*1	3/8" x 1" bolt
29	1	WRC316	3/16" wire rope clamp
30	2	38H	3/8" x 3" pin w/ clip
31	2	CP158	Clip pin
32	8	H5C38*114	3/8" x 1-1/4" bolt
33	4 ft	0140423	3/16" stainless cable
34	12	H5C38*214	3/8" x 2-1/4" bolt
35	2	H5C38*2	3/8" x 2" bolt
36	4	NNC38	3/8" lock nut

Ref#	Qty	Part#	Description
37	1	BF401L	Left boom latch
38	1	BF401R	Right boom latch (not shown)
39	2	BF402	Swinging boom support
40	2	H5C58*3	5/8" x 3" bolt
41	2	508516	Quick link
42	18 in	0140423	1/4" chain (2 pcs)
43	2	H5C58*6	5/8" x 6" bolt
44	4	NNC58	5/8" lock nut
45	2	NNC12	1/2" lock nut
46	1	BF403L	Left boom knuckle
47	1	BF403R	Right boom knuckle (not shown)
48	1	BF404	Center boom frame
49	2	B109	Compression spring 1-3/4" x 8"
50	2	B108	Spring cap
51	2	H5C12*11	1/2" x 11" bolt
52	1	SMVS	SMV socket
53	1	SMVB	SMV spade
54	1	SMVP	SMV sign
55	2	SBR14*34	1/4" x 3/4" bolt
56	2	NC14	1/4" NC nut
57	2	TS20	20" tarp strap
58	1	DLB800	Winch
59	1	BF405L	Left boom
60	1	BF405R	Right boom (not shown)
61	2	N221317	1/2" x 6" eye bolt
62	4	NC12	1/2" nut
63	2	BF406	Boom wing latch
64	2	33*21	Spring
65	2	MW38	3/8" washer
66	2	CT18*1	1/8" x 1" cotter pin
67	2	H5C38*8	3/8" x 8" bolt
68	1	BF407L	Left outer boom wing
69	1	BF407R	Right outer boom wing (not shown)
70	2	BF408	Boom skid
71	2	N222125	5/16" U-bolt