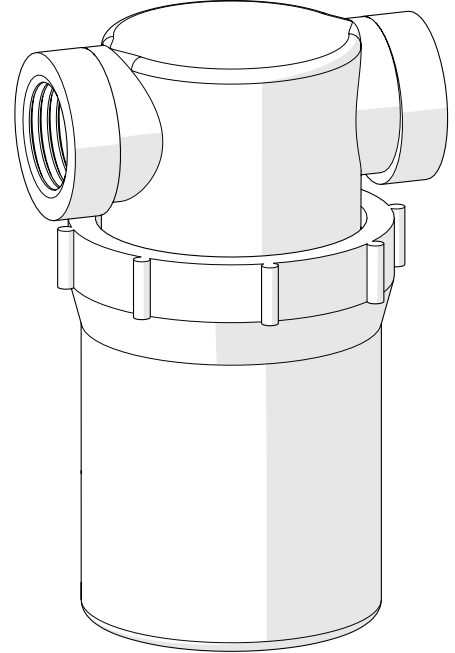
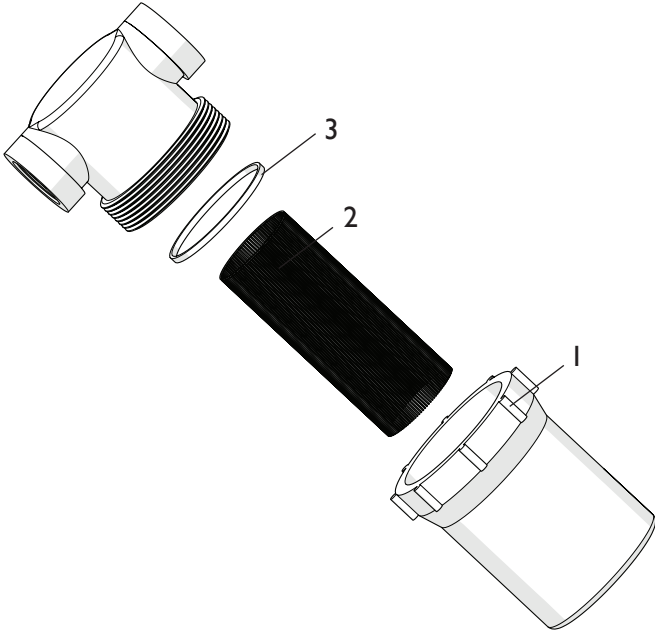


CROPCARE®

33500034A Breakdown



Ref #	Qty.	Part Number	Description
1	1	33510039	Strainer Bowl Hypro
2	1	38000025	Strainer, Screen 50 Mesh
		38000026	Strainer Screen 80 mesh Hypro
3	1	17000091	Gasket, Strainer 3350 1/2" & 3/4" EPDM

CROPCARE®

Manufactured by **PBZ LLC**
A Paul B Zimmerman Inc. Company

295 Woodcorner Road
Lititz PA 17543
(717) 738-7365
Fax (717) 738-7375
www.CropCareEquipment.com