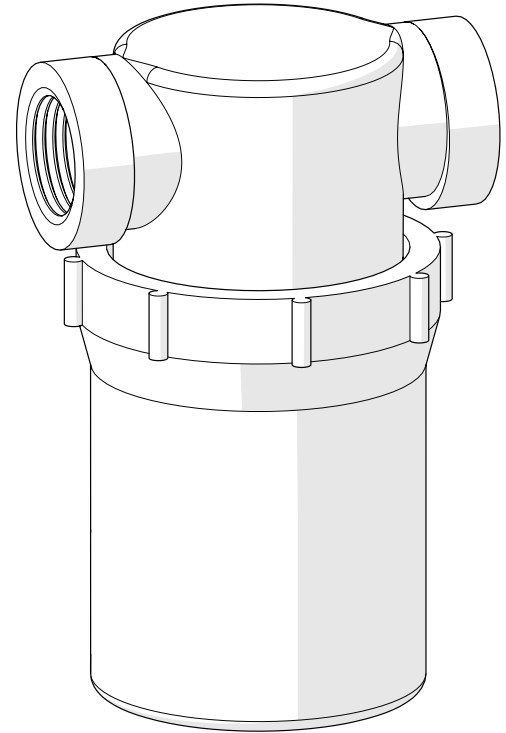
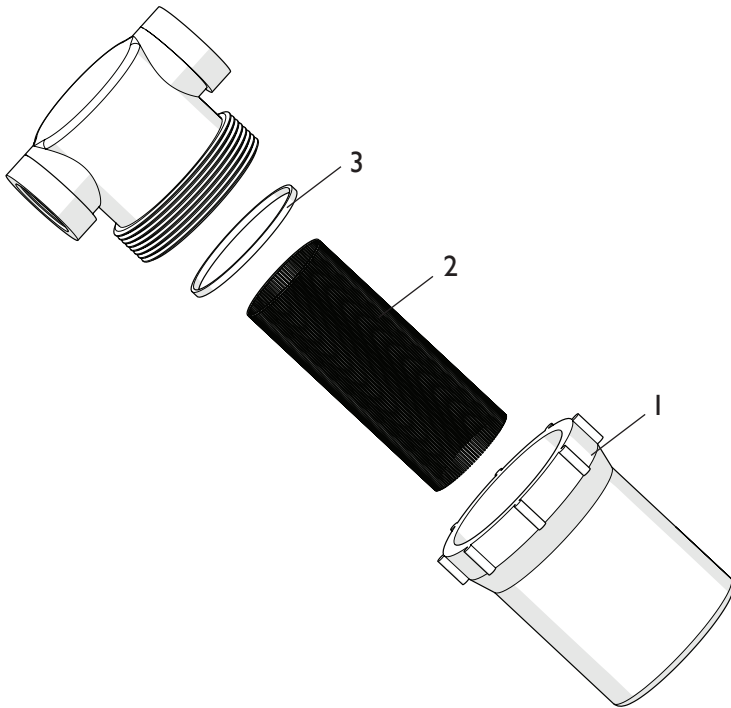


CROPCARE®

33500072A Breakdown



Ref #	Qty.	Part Number	Description
1	1	33510043	Strainer Bowl Hypro
2	1	38000044	Strainer, Screen 50 Mesh
		38000045	Strainer Screen 80 mesh Hypro
3	1	17000092	Gasket, Strainer 3350 1" - 1-1/2" EPDM

CROPCARE®

Manufactured by **PBZ LLC**
A Paul B Zimmerman Inc. Company

295 Woodcorner Road
Lititz PA 17543
(717) 738-7365
Fax (717) 738-7375
www.CropCareEquipment.com