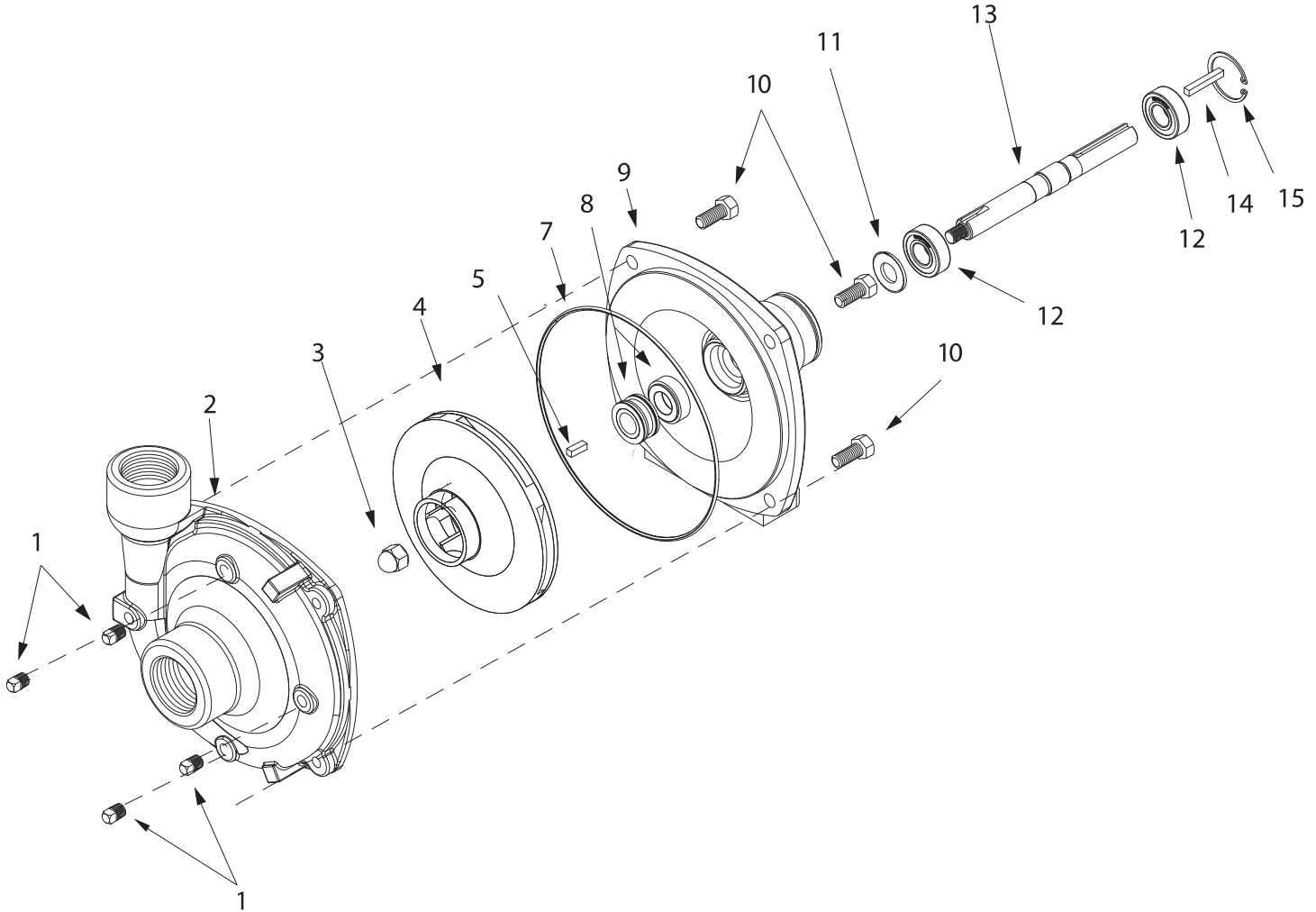


9203C-B Breakdown

Pump, Centrifugal Pedestal Mount 5/8" Shaft, 1-1/2" FPT Inlet 1-1/4" FPT Outlet Silicon Carbide Seal



Ref #	Qty.	Part Number	Description
1	4	2406-0007	Drain plug (cast series)
2	1	0150-9000C	Pump casing (cast series)
3	1	2253-0002	Impeller nut (cast series)
4	1	0401-9100P	Impeller (model 9203C) (nylon)
5	1	1610-0015	Key (cast series)
7	1	1720-0083	O-ring
8	1	3430-0589	Mechanical seal kit (silicon carbide)
9	1	0750-9200C3	Mounting flange (cast series)
10	4	2210-0020	Bolt (cast series)
11	1	1410-0056	Slinger ring
12	2	99502H	Ball bearing
13	1	0505-9200	Pump shaft
14	1	1610-0004	Key
15	1	1820-0013	Bearing retainer

Seal repair kit: 3430-0589 - consists of: (1) ref # 7 O-ring, (1) ref # 8 Mechanical seal