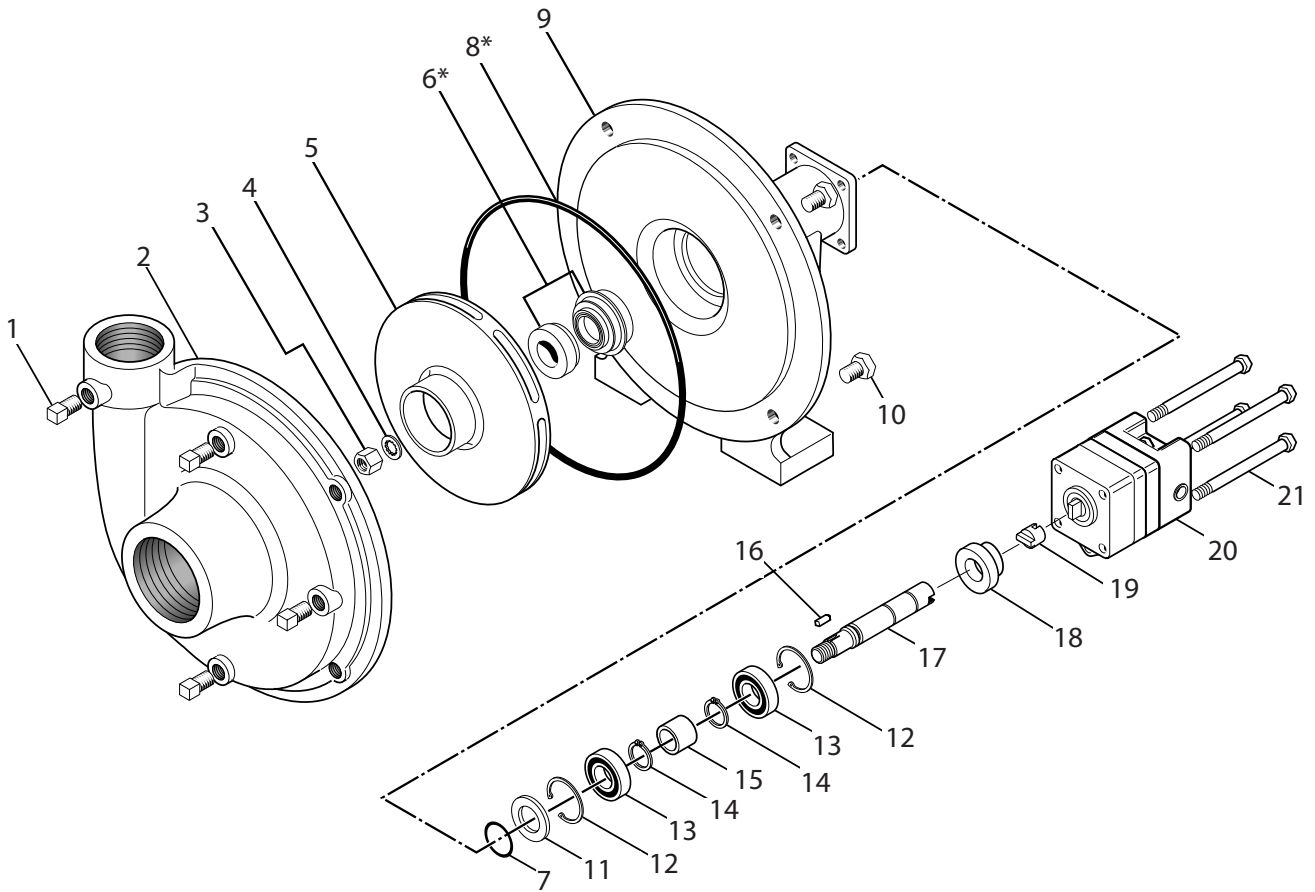


FMC-150-HYD-206 Breakdown

Pump, Ace Centrifugal 7 GPM Hyd Drive (150 Series) 1-1/2" FPT Suction x 1-1/4" FPT Discharge



FMC-150-HYD-206 Breakdown

Pump, Ace Centrifugal 7 GPM Hyd Drive (150 Series) 1-1/2" FPT Suction x 1-1/4" FPT Discharge

Ref#	Qty.	Part Number	Description
1	4	BAC-53	Pipe plug
2	1	BAC-12-150	Volute, 1-1/2" x 1-1/4"
3	1	BAC-23-A	Nut, 3/8" NF, cad plated
4	1	BAC-24-HYD-SS	Washer, 3/8" star, stainless steel
5	1	BAC-26-150-P	Impeller, Valox, keyway
6	1	BAC-7V *	Seal, mechanical, Viton (includes 40160 O-Ring)
7	1	40160	O-ring, shaft seal
8	1	BAC-4-150 *	O-ring, body seal
9	1	BAC-14-150-HYD	Mounting frame (for 200 Series hydraulic motor)
10	4	40950	Cap screw, 3/8" NC x 3/4" hex head
11	1	BAC-54	Slinger
12	2	BAC-33	Snap ring, internal, BAC-14 mounting frame
13	2	BAC-37	Ball Bearing, sealed, BAC-6 shaft
14	2	BAC-32	Snap ring, external, BAC-6 shaft
15	1	BAC-32-S	Spacer for BAC-6 shaft
16	1	BACH-25	Key, 1/8" x 1/8" x 1/2"
17	1	BAC-6-HYD-SS	Shaft, 5/8" diameter, keyway and tang slot, stainless steel
18	1	S200	Seal support spacer for 200 Series HYD motor, effective 6/00
19	1	BAC-76-HYD	Coupling for hydraulic motor
20	1	BAC-75-HYD-206	Hydraulic motor, 7 GPM
21	4	41258	Cap screw, 5/16" N. C. x 3-3/4" Hex head (for 206 motor)

* Parts included in RK-FMC-150 (Repair kit for FMC-150 series pump).