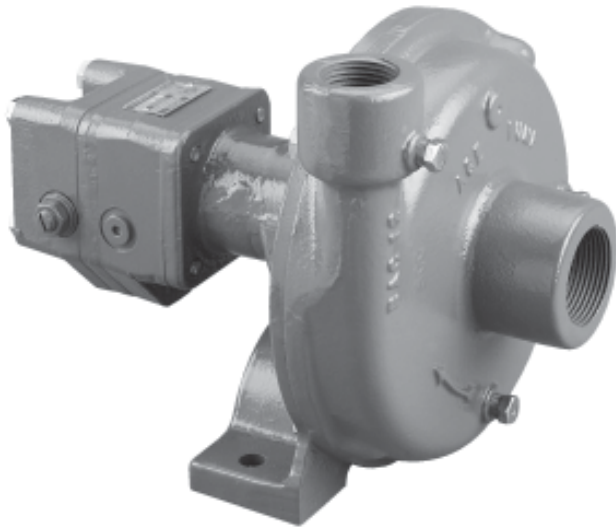




Hydraulic Motor Driven Centrifugal Pump



FMC-HYD

- Suction 1-1/4" Discharge 1"
- **-204** motor requires 4 GPM hydraulic flow
PC Closed and Open Center Systems
- **-210** motor requires 8 GPM hydraulic flow
LS Closed and Open Center Systems
- **-310** motor requires 16 GPM hydraulic flow
Large Open Center Systems
- Integral Needle Valve bypasses up to 9 GPM on Open Center Systems
- Standard Viton® Carbon/Ceramic seal or Optional Severe Duty Silicon Carbide Mechanical Seal
- Chemical Resistant Valox® or Optional Cast Iron Impeller
- Stainless Steel Shaft and Wear Ring

Valox® is a registered trademark of GE Plastics.
Viton® is a registered trademark of DuPont Dow Elastomers.

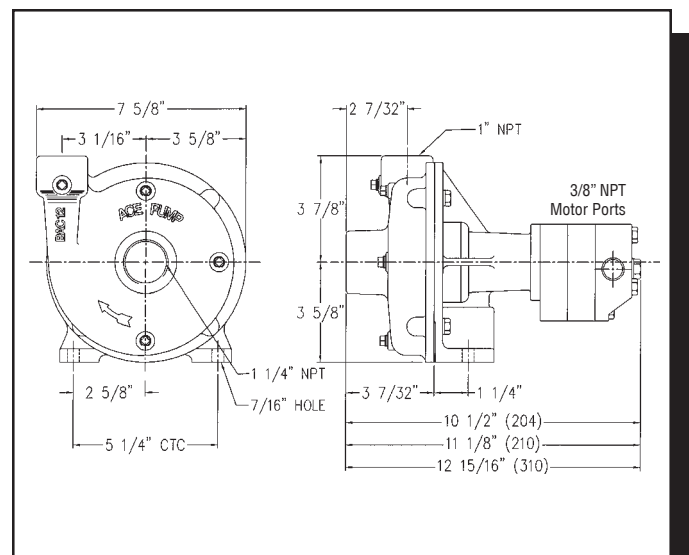
PERFORMANCE CHART

SHUT-OFF 0 GPM	15 GPM	30 GPM	45 GPM	60 GPM	75 GPM
100 PSI	95 PSI	83 PSI	55 PSI	30 PSI	10 PSI
80 PSI	75 PSI	70 PSI	45 PSI	25 PSI	5 PSI
60 PSI	50 PSI	50 PSI	35 PSI	15 PSI	-

Use the SHUT-OFF pressure of your spraying system to determine which line of data applies. The hydraulic system input pressure and flow will vary within the chart. Contact factory for more data.

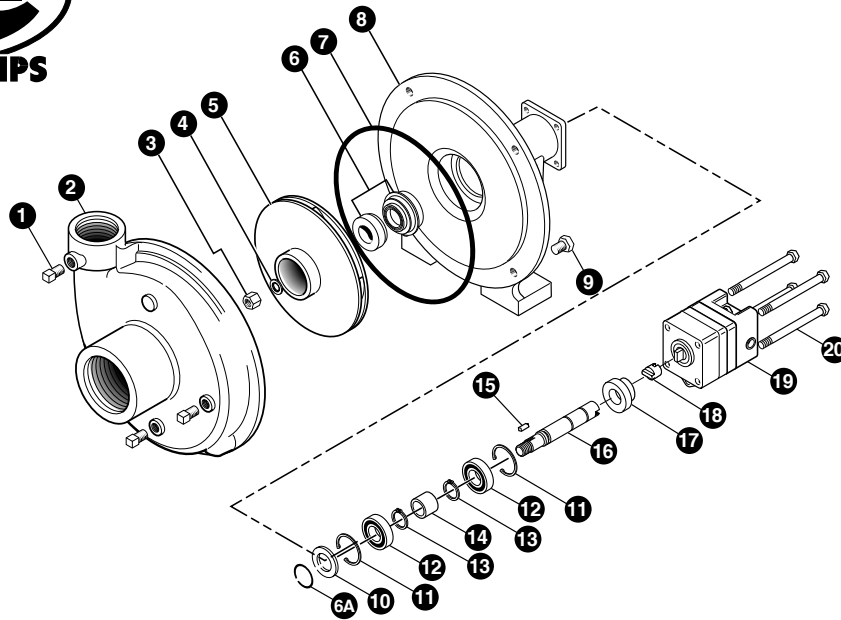
MAXIMUM SHUT-OFF PRESSURE - 100 PSI

DIMENSIONS





FMC-HYD



REF. #	PART NUMBER	EDP #	DESCRIPTION	REQ.
1	41110	41110	Pipe plug	3
1	41120	41120	Pipe plug, stainless steel (optional)	3
2	BAC-12	40250	Volute, 1 1/4" x 1"	1
3	BAC-23-A	40391	Nut, 3/8" NF, cad plated	1
4	BAC-24-HYD-SS	40400	Washer, 3/8" star, stainless steel	1
5	BAC-26-HYD-VALOX	40440	Impeller, Valox, keyway	1
5	BAC-26-HYD-CI	40442	Impeller, cast iron, keyway (optional)	1
*6	BAC-7V	40151	Seal, mechanical, Viton (includes 40160)	1
6	BAC-7SC	40152	Seal, mechanical, silicon carbide (includes 40160), (optional)	1
6A	40160	40160	O-ring, shaft seal	1
*7	BAC-4	40010	Gasket, 4 hole, (obsolete 1996)	1
*7	BAC-4A	40005	O-ring, body seal	1
8	BAC-14-HYD	40300	Mounting frame (for -200 Series hydraulic motors)	1
8	BAC-14-HYD-300	40301	Mounting frame (for -310 hydraulic motor)	1
9	40950	40950	Cap screw, 3/8" NC x 3/4" hex head	4
9	40930	40930	Cap screw, 3/8" NC x 3/4" hex head, stainless steel (optional)	4
10	BAC-54	41130	Slinger	1
11	BAC-33	40810	Snap ring, internal, BAC-14 mounting frame	2
12	BAC-37	40870	Ball bearing, sealed, BAC-6 shaft	2
13	BAC-32	40790	Snap ring, external, BAC-6 shaft	2
14	BAC-32-S	40795	Spacer for BAC-6 shaft	1
15	BACH-25	40420	Key, 1/8" x 1/8" x 1/2"	1
16	BAC-6-HYD	40060	Shaft, 5/8" diameter, keyway and tang slot (optional)	1
16	BAC-6-HYD-SS	40061	Shaft, 5/8" diameter, keyway and tang slot, stainless steel	1
17	S200	40161	Seal support spacer for 200 series HYD motor with -L seal	1
18	BAC-76-HYD	41380	Coupling for hydraulic motor	1
19	BAC-75-HYD-204	41370	Hydraulic motor, 4 GPM	1
19	BAC-75-HYD-210	41375	Hydraulic motor, 8 GPM	1
19	BAC-75-HYD-310	41378	Hydraulic motor, 16 GPM	1
20	41256	41256	Cap screw, 5/16" N.C. x 3 1/2" Hex head (for 204 motor)	4
20	41257	41257	Cap screw, 5/16" N.C. x 4" Hex head (for 210 motor)	4
20	41330	41330	Cap screw, 5/16" N.C. x 3/4" Hex head (for 310 motor)	4
#	RK-FMC	52700	Repair kit for FMC series	-
#	RK-BAC-75-HYD	41371	Repair kit for 204 and 210 motor	-
#	RK-BAC-75-HYD-L	41374	Repair kit for 204 and 210 motor with high pressure lip seal	-
#	RK-BAC-75-HYD-310	41379	Repair kit for 310 motor	-
#	RK-BAC-75-HYD-300-L	41362	Repair kit for 310-L motor, effective 04/01	-

* Items included in pump repair kit.

Ace Pump Corporation • P.O. Box 13187 - 1650 Channel Avenue • Memphis, TN 38113
www.AcePumps.com • Phone: 901-948-8514 • Fax: 901-774-6147

Ace Form # FMC-HYD
 Revised 04/04