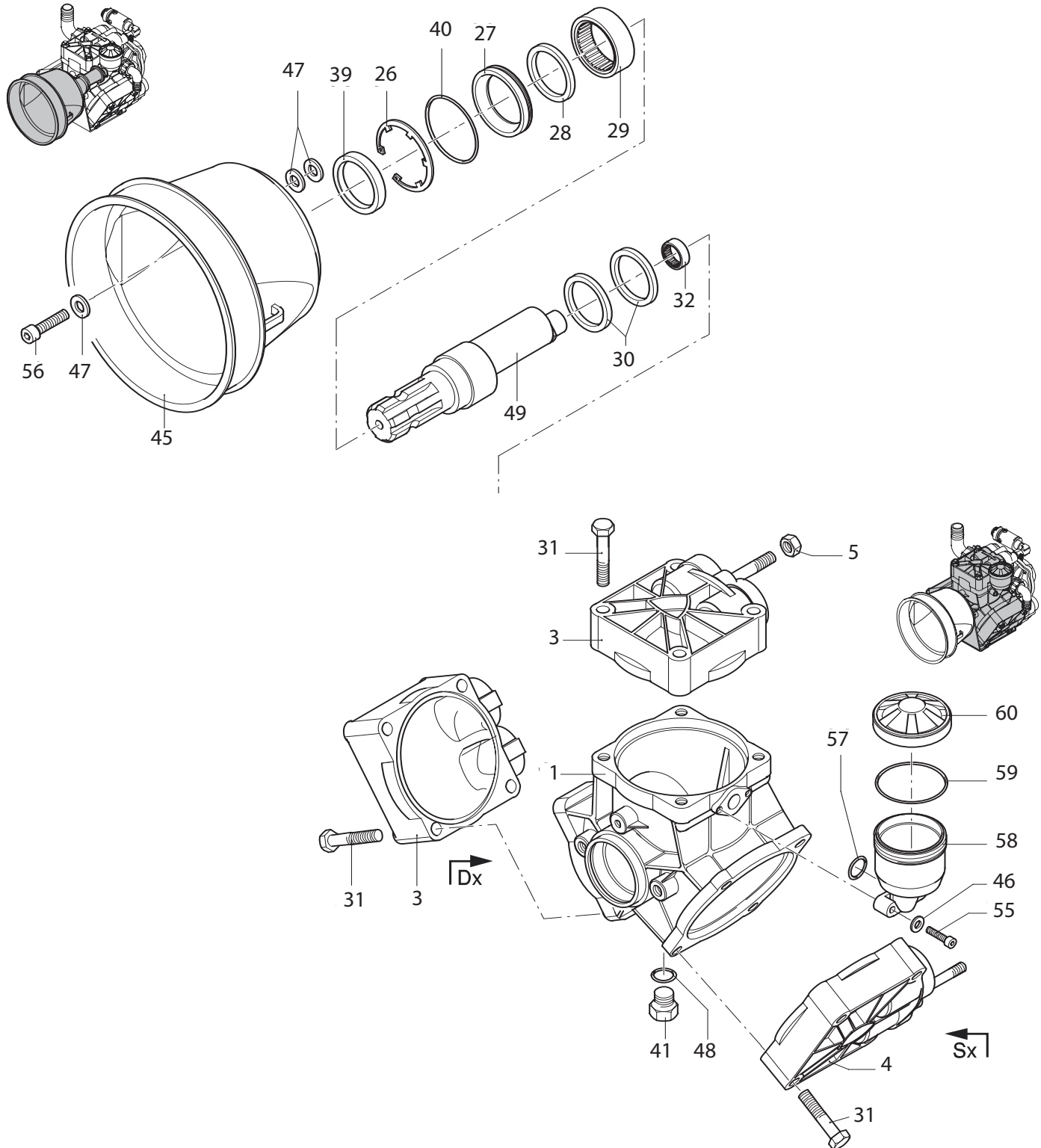


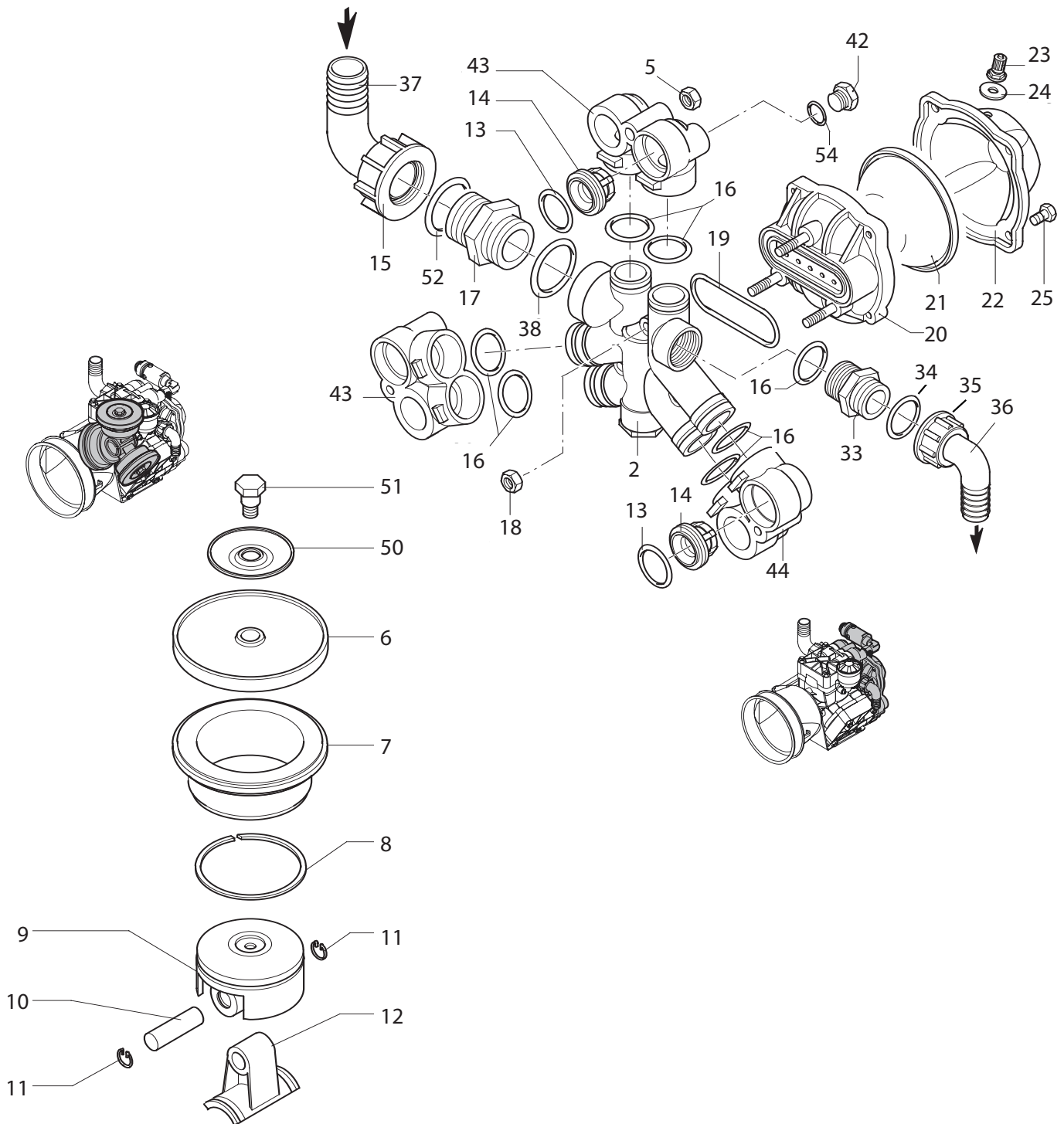
9910D135 Breakdown

Pump, Diaphragm (3) 1-1/2" Hose Barb Inlet, 1" Hose Barb Outlet 34.8 GPM 290 PSI



9910D135 Breakdown

Pump, Diaphragm (3) 1-1/2" Hose Barb Inlet, 1" Hose Barb Outlet 34.8 GPM 290 PSI



9910D135 Breakdown

Pump, Diaphragm (3) 1-1/2" Hose Barb Inlet, 1" Hose Barb Outlet 34.8 GPM 290 PSI

| Ref# | Qty. | Part Number | Description |
|------|------|---------------------|-------------------------------|
| 1 | 1 | 9910580013 | Pump body with bolts |
| 2 | 1 | 9910580150 | Manifold |
| 3 | 2 | 9910550101 | DX Right head |
| 4 | 1 | 9910550102 | SX Left head |
| 5 | 3 | 9910180152 | Nut |
| 6 | 3 | 9910550085 * | Diaphragm (Desmopan) Standard |
| 7 | 3 | 9910580350 | Sleeve (D135) |
| 8 | 3 | 9910500260 | Piston ring |
| 9 | 3 | 9910580120 | Piston |
| 10 | 3 | 9910380300 | Pin |
| 11 | 6 | 9910380080 | Pin ring |
| 12 | 3 | 9910580140 | Connecting rod |
| 13 | 6 | 9910320030 * ** *** | O-ring |
| 14 | 6 | 9910759051 ** | Complete valve |
| 15 | 1 | 9910540541 | Ring nut |
| 16 | 7 | 9910390291 *** | O-ring |
| 17 | 1 | 9910540530 | Threaded adapter |
| 18 | 3 | 9910390271 | Nut |
| 19 | 1 | 9910580050 | Gasket, accumulator manifold |
| 20 | 1 | 9910580180 | Accumulator manifold |
| 21 | 1 | 9910550190 * | Accumulator diaphragm |
| 22 | 1 | 9910559204 | Accumulator head |
| 23 | 1 | 9910550300 | Air valve |
| 24 | 1 | 9910650542 *** | O-ring |
| 25 | 4 | 9910550680 | M8 x 20 Bolt |
| 26 | 1 | 9910200391 | Retainer ring |
| 27 | 1 | 9910550470 | Gasket retainer |
| 28 | 1 | 9910550070 | Spacer ring |
| 29 | 1 | 9910550060 | Roller bearing |
| 30 | 2 | 9910580470 | Connecting rod ring |
| 31 | 12 | 9910551040 | M10 x 55 Bolt |
| 32 | 1 | 9910550310 | Roller bushing |
| 33 | 1 | 9910550340 | Threaded adapter |
| 34 | 1 | 9910550350 *** | O-ring |
| 35 | 1 | 9910550242 | Ring nut |
| 36 | 1 | 9910550370 | Elbow 1" |
| 37 | 1 | 9910540550 | Elbow 1-1/2" |
| 38 | 1 | 9910250310 *** | O-ring |
| 39 | 1 | 9910550491 | Seal ring |
| 40 | 1 | 9910650920 *** | O-ring |

9910D135 Breakdown

Pump, Diaphragm (3) 1-1/2" Hose Barb Inlet, 1" Hose Barb Outlet 34.8 GPM 290 PSI

| Ref# | Qty. | Part Number | Description |
|------|------|----------------|---------------------------------------|
| 41 | 1 | 2406-0023 | Oil drain plug |
| 42 | 1 | 9910330173 | Plug, valve retainer |
| 43 | 2 | 9910589200 | DX Right valve retainer w/plug/o-ring |
| 44 | 1 | 9910580072 | SX Left valve retainer |
| 45 | 1 | 99101500350 | Shield |
| 46 | 2 | 9910550332 | Washer, M6 |
| 47 | 9 | 9910320621 | Washer, M10 |
| 48 | 1 | 9910740290 *** | O-ring, oil drain plug |
| 49 | 1 | 9910580330 | Shaft (D135) |
| 50 | 3 | 9910580370 | Plate |
| 51 | 3 | 9910580360 | Diaphragm bolt |
| 52 | 1 | 9910250310 *** | O-ring |
| 53 | 2 | 9910200233 | Washer |
| 54 | 1 | 9910180101 *** | O-ring |
| 55 | 2 | 9910850851 | M6 x 30 Bolt |
| 56 | 3 | 9910620472 | M10 x 20 Bolt |
| 57 | 1 | 9910390180 *** | O-ring |
| 58 | 1 | 99101040310 | Oil sight glass |
| 59 | 1 | 9910650920 *** | O-ring |
| 60 | 1 | 99101040322 | Black oil tank cap |

* Included in 9910KIT1721 Diaphragm Kit, Desmopan.

** Included in 9910KIT2370 Valve Kit.

*** Included in 9910KIT2026 O-Ring Kit.