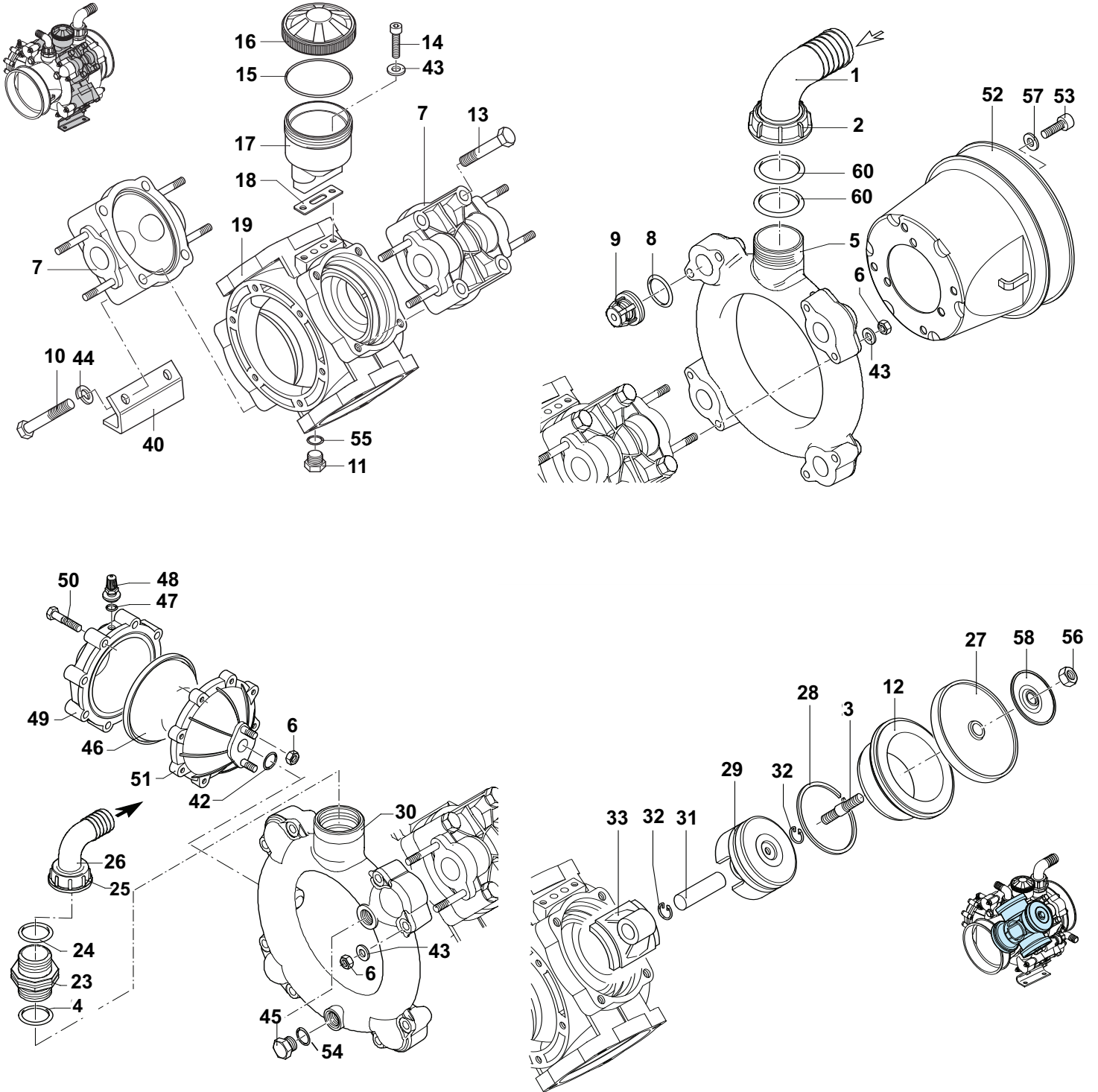


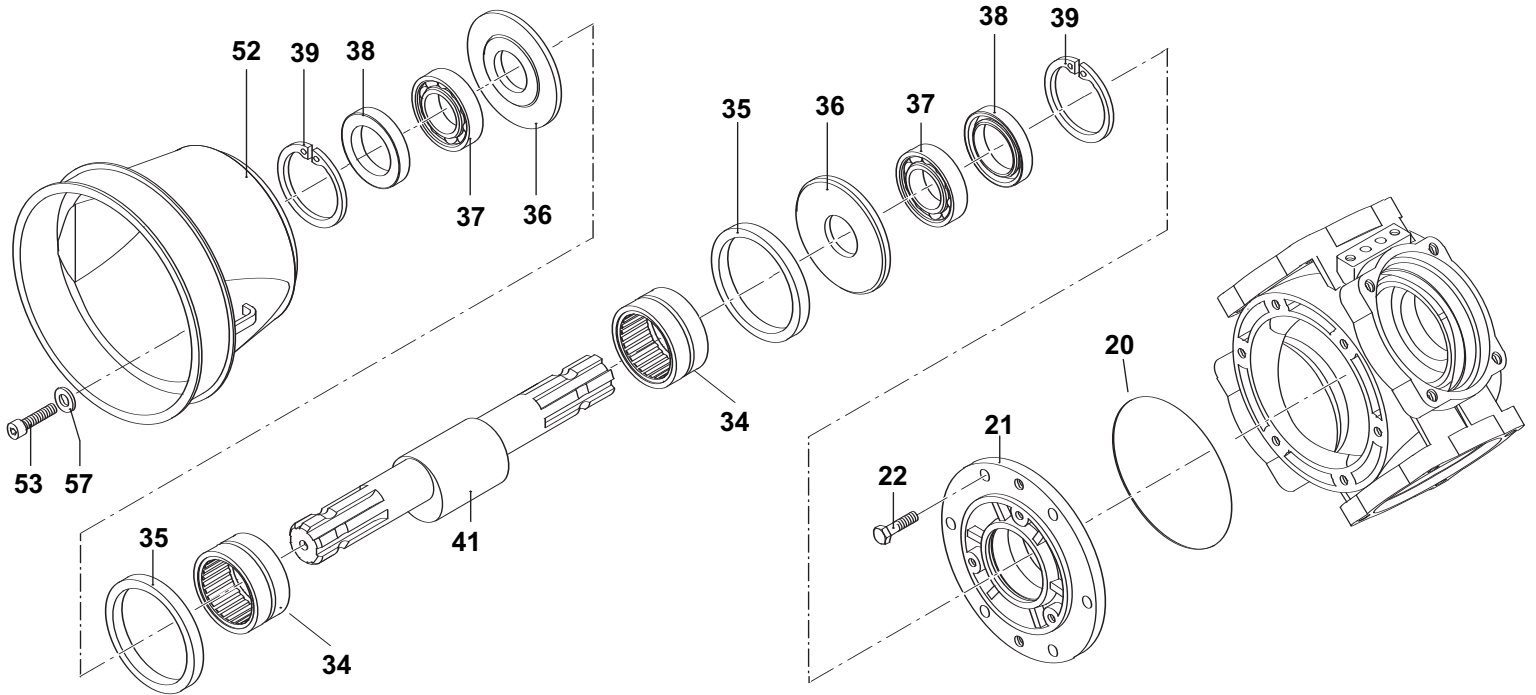
9910D160 Breakdown

Pump, Diaphragm (4) 2" HB Inlet X 1-1/2" HB Outlet 42.5 GPM 290 PSI



9910D160 Breakdown

Pump, Diaphragm (4) 2" HB Inlet X 1-1/2" HB Outlet 42.5 GPM 290 PSI



9910D160 Breakdown

Pump, Diaphragm (4) 2" HB Inlet X 1-1/2" HB Outlet 42.5 GPM 290 PSI

Ref#	Qty.	Part Number	Description
1	1	99103040440	Elbow 2"
2	1	99103040450	Ring nut
3	4	99102240100	Diaphragm stud
4	1	9910751140	O-ring
5	1	9910760750	Suction manifold
6	18	9910380242	Nut
7	4	9910750100	Head
8	8	9910680070 * + **	O-ring
9	8	9910759051 +	Complete valve
10	4	9910750071	Bolt
11	1	2406-0023	Oil drain plug
12	4	9910750110	Sleeve
13	12	9910750061	M12 x 65 Bolt
14	2	9910680350	M8 x 35 Bolt
15	1	99101040060 **	O-ring
16	1	9910750057	Black oil tank cap
17	1	9910750030	Oil sight glass
18	1	9910750040	Gasket
19	1	9910761010	Pump body
20	1	9910851360	O-ring
21	1	9910680020	Bearing support housing
22	6	9910160672	M10 x 25Bolt
23	1	9910751130	Threaded adapter
24	1	9910390290 **	O-ring
25	1	9910750670	Ring nut
26	1	99103040160	Elbow 1-1/2"
27	4	9910550085 *	Diaphragm (Desmopan) Standard
28	4	9910500260	Piston ring
29	4	9910750122	Piston
30	1	9910760760	Manifold
31	4	9910160700	Pin
32	8	9910160691	Pin ring
33	4	9910760140	Connecting rod
34	2	9910750090	Roller bearing
35	2	9910750130	Connecting rod ring
36	2	9910540040	Spacer washer
37	2	9910230350	Bearing
38	2	9910160740	Seal ring
39	2	9910200390	Retainer ring
40	2	9910760201	Base

9910D160 Breakdown

Pump, Diaphragm (4) 2" HB Inlet X 1-1/2" HB Outlet 42.5 GPM 290 PSI

Ref#	Qty.	Part Number	Description
41	1	9910750170	Crankshaft
42	1	9910390290 **	O-ring
43	18	9910380243	Washer
44	4	9910250143	Washer
45	2	9910330173	Plug
46	1	9910550190 *	Accumulator diaphragm
47	1	9910650542 **	O-ring
48	1	9910180020	Air valve
49	1	9910620232	Accumulator head
50	8	9910621781	M8 x 40 Bolt
51	1	9910680180	Accumulator body
52	2	99101500350	Shield
53	6	9910850251	M8 x 12 Bolt
54	2	9910180101 **	O-ring
55	1	9910740290 **	O-ring
56	4	99102240110	Diaphragm nut
57	6	9910390314	Washer
58	4	9910751250	Retaining washer
59	1	9910390670	Accumulator stud
60	2	99103040470	O-ring

* Included in 9910KIT1730, Diaphragm Kit Desmopan.

+ Included in 9910KIT2374, Valve Kit.

** Included in 9910KIT1908, O-ring Kit.