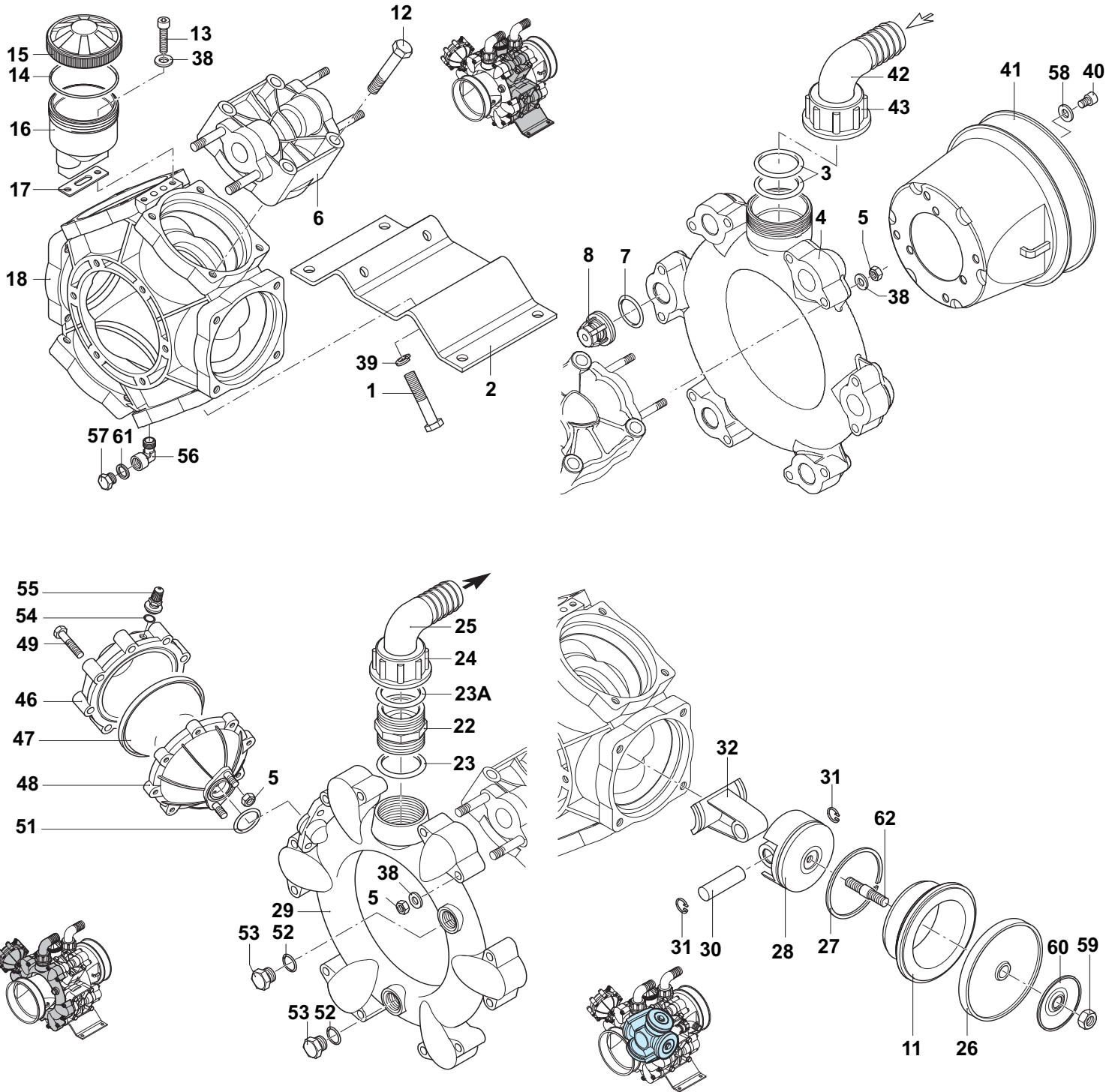


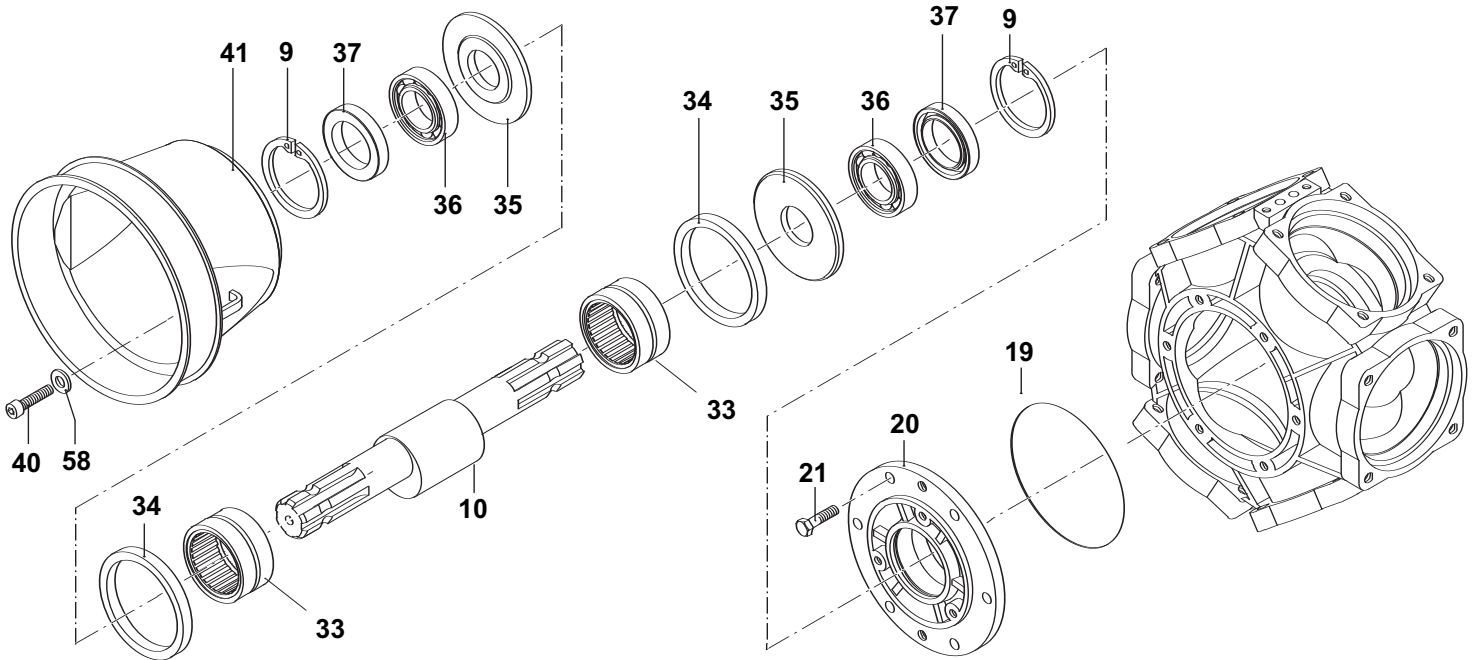
## 9910D250 Breakdown

Pump, Diaphragm (6) 2" HB Inlet x 1-1/2" HB Outlet 66 GPM 290 PSI



## 9910D250 Breakdown

Pump, Diaphragm (6) 2" HB Inlet x 1-1/2" HB Outlet 66 GPM 290 PSI



## 9910D250 Breakdown

### Pump, Diaphragm (6) 2" HB Inlet x 1-1/2" HB Outlet 66 GPM 290 PSI

Ref#	Qty.	Part Number	Description
1	4	9910750071	Bolt
2	1	9910750200	Base
3	2	9910750740 **	O-ring
4	1	9910751070	Suction Manifold
5	26	9910380242	Nut
6	6	9910751350	Head
7	12	9910680070 * + **	O-ring
8	12	9910759051	Complete valve
9	2	9910200390	Retainer ring
10	1	9910750170	Crankshaft
11	6	9910750110	Sleeve
12	20	9910750061	M12 x 65 Bolt
13	2	9910680350	M8 x 35 Bolt
14	1	99101040060 **	O-ring
15	1	9910750057	Black oil tank cap
16	1	9910750030	Oil sight glass
17	1	9910750040	Gasket
18	1	9910751300	Pump body
19	1	9910851360	O-ring
20	1	9910680020	Shaft support
21	6	9910160672	M10 x 25 Bolt
22	1	9910751130	Threaded adapter
23	1	9910751140**	O-ring
23A	1	9910390290	O-ring
24	1	9910750670	Ring nut
25	1	99103040160	Elbow
26	6	9910550085 *	Diaphragm (Desmopan) Standard
27	6	9910500260	Piston ring
28	6	9910750122	Piston
29	1	9910751080	Manifold
30	6	9910160700	Pin
31	2	9910160691	Pin ring
32	6	9910750140	Connecting rod
33	2	9910750090	Roller bearing
34	2	9910750130	Connecting rod ring
35	2	9910540040	Spacer washer
36	2	9910230350	Bearing
37	2	9910160740	Seal ring
38	26	9910380243	Washer
39	4	9910250143	Washer

## 9910D250 Breakdown

### Pump, Diaphragm (6) 2" HB Inlet x 1-1/2" HB Outlet 66 GPM 290 PSI

Ref#	Qty.	Part Number	Description
40	6	9910850251	M8 x 12 Bolt
41	2	99101500350	Shield
42	1	9910750850	Elbow 2"
43	1	9910750710	Ring nut
46	1	9910620232	Accumulator head
47	1	9910550190 *	Accumulator diaphragm
48	1	9910680180	Accumulator body
49	8	9910621781	M8 x 40 Bolt
51	1	9910390290 **	O-ring
52	2	9910180101 **	O-ring
53	2	9910330173	Plug
54	1	9910650542 **	Gasket
55	1	9910180020	Air valve
56	1	9910750370	Elbow
57	1	9910880581	Oil drain plug
58	6	9910390314	Washer
59	6	99102240110	Diaphragm nut
60	6	9910751250	Retainer washer
61	1	9910880820	Washer
62	6	99102240100	Diaphragm stud

\* Included in 9910KIT1722, Diaphragm Kit Desmopan.

+ Included in 9910KIT2114, Valve Kit.

\*\* Included in 9910KIT1904, O-ring Kit.