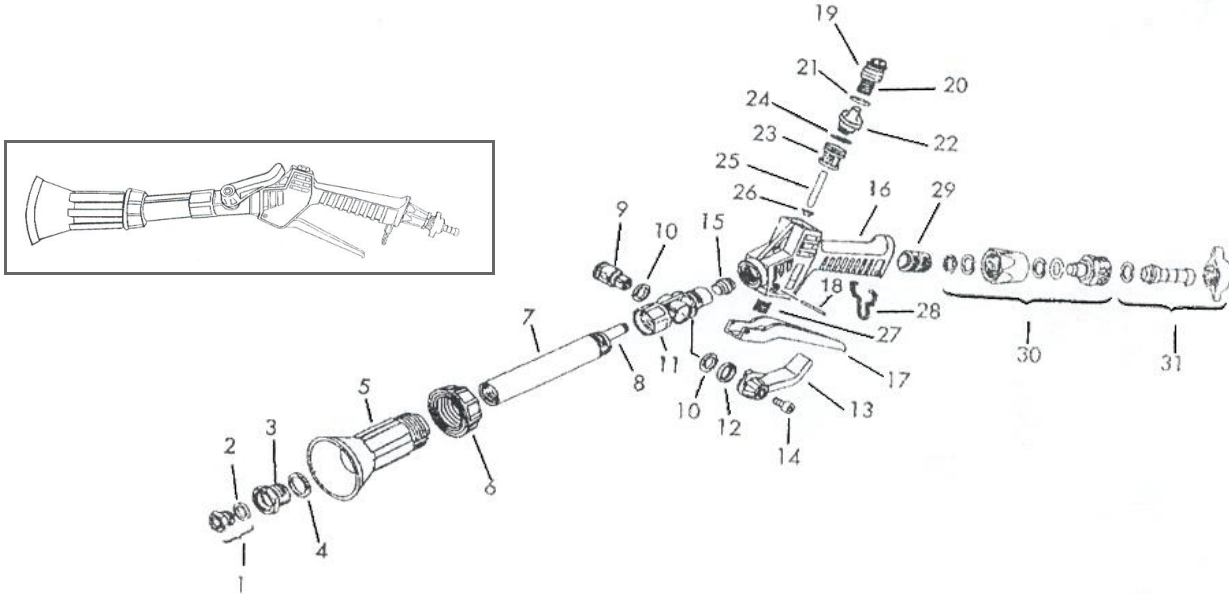


# Hypro® Pistol-Grip Spray Gun

Model Number: 3381-0013

## Parts Breakdown:



| Ref. No | Qty. Req'd | Part Number    | Description  | Ref. No | Qty. Req'd | Part Number    | Description                |
|---------|------------|----------------|--|---------|------------|----------------|----------------------------|
| 1       | 1          | 3385           | Nozzles: 3385-2300, -3000, -3500, -4000, -4500, -5000, -5500, -6000, -7000 | 16      | 1          | 9920-29208-131 | Gun body                   |
| 2       | 1          | N/A            | O-ring   | 17*     | 1          | 9920-29902-8   | Plastic Trigger            |
| 3       | 1          | 9920-261701-10 | Nozzle holder  | 18      | 1          | 9920-291607-3  | Pin                        |
| 4*      | 1          | 9920-68602-10  | O-ring   | 19      | 1          | 9920-291702-26 | Plug                       |
| 5*      | 1          | 9920-261707-2  | Nozzle protector   | 20**    | 1          | 9920-291003-24 | Spring                     |
| 6       | 1          | 9920-26605-50  | Locking ferrule  | 21**    | 1          | 9920-23602-37  | O-ring                     |
| 7       | 1          | 9920-261703-69 | Barrel   | 22**    | 1          | N/A separately | Seat                       |
| 8       | 1          | N/A            | Stream straightener  | 23**    | 1          | N/A separately | Valve retainer             |
| 9*      | 1          | 9920-261304-33 | Valve  | 24**    | 1          | 9920-23602-36  | O-ring                     |
| 10*     | 2          | 9920-71602-6   | O-ring   | 25      | 1          | 9920-231304-29 | Pin                        |
| 11      | 1          | 9920-26305-3   | Valve body   | 26**    | 1          | 9920-23601-35  | Gasket                     |
| 12      | 1          | 9920-261506-14 | Spacer   | 27      | 1          | 9920-231003-16 | Spring                     |
| 13*     | 1          | 9920-26902-6   | Adjusting lever  | 28      | 1          | 9920-29507-10  | Clip                       |
| 14      | 1          | 9920-261902-20 | Screw  | 29      | 1          | 9920-291101-1  | Nipple                     |
| 15      | 1          | 9920-26801-5   | Ferrule insert   | 30      | 1          | 9920-261502-45 | Swivel connection          |
|         |            |                |  | 31      | 1          | 9920-162604-17 | Hose barb, wingnut, gasket |

\*Gun Repair Kit # 3430-0461 includes: Ref # 4, 5, 9, 10, 13, 17, 20, 21, 22, 23, 24, 26

\*\* Trigger Valve Repair Kit # 3430-0460 includes: Ref # 20, 21, 22, 23, 24, 26

## Nozzle Performance:

| <i>Hypro Orifice #</i> | <i>Orifice Dia. in M.M.</i> | <i>Performance</i>             | <i>200 PSI<br/>Cone-Straight</i> | <i>350 PSI<br/>Cone-Straight</i> | <i>500 PSI<br/>Cone-Straight</i> | <i>600 PSI<br/>Cone-Straight</i> | <i>650 PSI<br/>Cone-Straight</i> | <i>700 PSI<br/>Cone-Straight</i> | <i>800 PSI<br/>Cone-Straight</i> |
|------------------------|-----------------------------|--------------------------------|----------------------------------|----------------------------------|----------------------------------|----------------------------------|----------------------------------|----------------------------------|----------------------------------|
| 3385-2300              | 2.3                         | Capacity(Gpm)<br>Max Throw(Ft) | 2.1 3.7<br>11.4 29               | 2.7 3.7<br>12.9 33.9             | 3.4 4.5<br>14.8 37.9             | 3.8 4.9<br>16.6 41.5             | 3.8 5<br>17 41.7                 | 3.9 5.1<br>17.7 42               | 4.2 5.8<br>19 45.7               |
| 3385-3000*             | 3                           | Capacity(Gpm)<br>Max Throw(Ft) | 2.9 4.6<br>11.7 29.2             | 3.7 6.3<br>12.9 33.9             | 4.8 7.5<br>13.8 36.2             | 5.2 8.4<br>15.6 40.8             | 5.3 8.5<br>16 40.7               | 5.4 8.6<br>16.2 42               | 6 9.6<br>17 44.1                 |
| 3385-3500              | 3.5                         | Capacity(Gpm)<br>Max Throw(Ft) | 5.8 6<br>13.6 36.2               | 7.9 8.2<br>19 41.2               | 9.6 9.9<br>22.6 45.3             | 10.7 11.1<br>25.5 50             | 11 11.3<br>25.5 51               | 11.2 11.6<br>27 51.5             | 12.4 12.8<br>28.8 54             |
| 3385-4000              | 4                           | Capacity(Gpm)<br>Max Throw(Ft) | 7 7.3<br>15.1 37.7               | 9.6 9.9<br>20.6 42.8             | 11.6 12<br>24.3 47               | 12.9 13.5<br>27.2 54             | 13.2 13.8<br>27.2 54             | 13.6 14.1<br>28.5 55             | 15 15.6<br>29 59                 |
| 3385-4500              | 4.5                         | Capacity(Gpm)<br>Max Throw(Ft) | 8.2 8.9<br>18.1 39.2             | 11.1 12<br>22.2 44.3             | 13.4 14.5<br>26 50.1             | 15 16.3<br>30.6 54               | 15.4 16.6<br>30.6 56             | 15.7 17<br>31 57                 | 17.4 18.9<br>31.5 62             |
| 3385-5000              | 5                           | Capacity(Gpm)<br>Max Throw(Ft) | 9.8 10.2<br>19.6 40.7            | 13.3 13.8<br>23.8 47             | 16 16.7<br>27.5 53.3             | 18 18.7<br>32.3 59               | 18.4 19.1<br>32.3 61             | 18.9 19.5<br>32.8 62             | 20.8 21.6<br>32.8 67             |
| 3385-5500              | 5.5                         | Capacity(Gpm)<br>Max Throw(Ft) | 10.7 11.5<br>19.6 42.2           | 14.4 15.6<br>23.8 50.7           | 17.4 18.8<br>29 57               | 19.6 21<br>34 63                 | 20 21.5<br>34 64                 | 20.4 22<br>34.5 65               | 22.6 24.4<br>34.5 70             |
| 3385-6000              | 6                           | Capacity(Gpm)<br>Max Throw(Ft) | 11.5 12.6<br>21.1 43.7           | 15.6 17.1<br>25.3 54             | 18.8 20.6<br>30.7 60             | 21 23.2<br>35.6 66               | 21.5 23.7<br>35.6 87             | 22 24.2<br>36 68                 | 24.4 26.9<br>36 74               |
| 3385-7000              | 7                           | Capacity(Gpm)<br>Max Throw(Ft) | 11.5 13.5<br>21.1 46.6           | 15.6 18.4<br>25.3 57             | 18.8 22.2<br>30.7 63             | 21 25<br>37.4 70                 | 21.5 25.4<br>37.4 71             | 22 26<br>38 72                   | 24.4 29<br>38 77                 |

\* 3385-3000 nozzle is included with the gun.

## Specifications:

**Model Number:** 3381-0013

**Maximum Pressure:** 700 psi

**Maximum Capacity:** 10 gpm

**Barrel Length:** 7"

**Port – NPT:** 1/2" Inlet (M)



**PaulB,LLC • 50 Woodcorner Rd. • Lititz PA 17543**

**(717) 738-7350 • www.pbzinc.com**