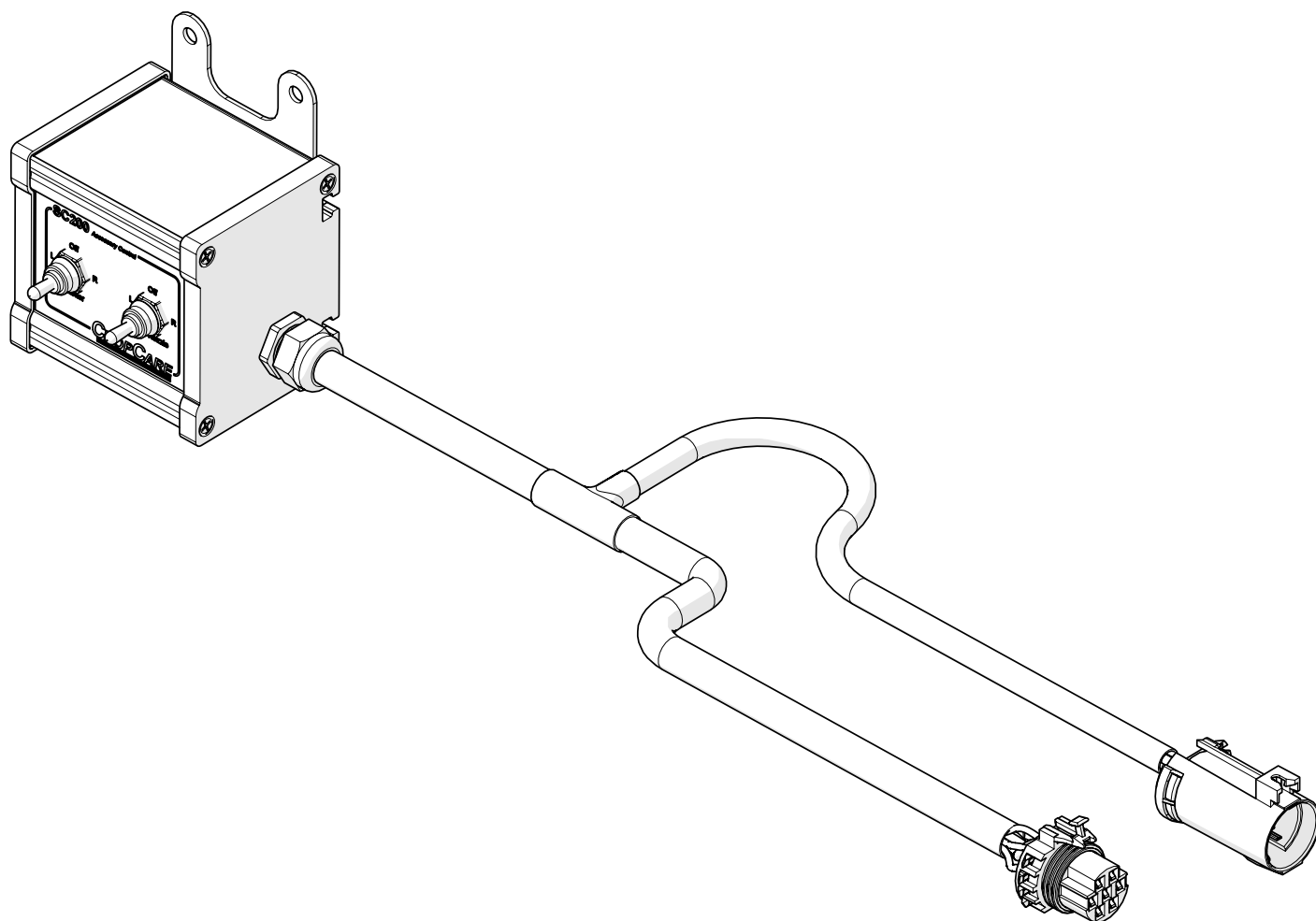




Owner's Manual

Accessory Control Unit

Model: AC200



Manufactured by PBZ LLC
A Paul B Zimmerman Inc. Company
www.CropCareEquipment.com

Form AC200OM
Revision A Rev. Date 01/17

Notes:

Table Of Contents

Installation Procedures.....	4
Control Unit.....	4
Operating Instructions.....	5
Maintenance Instructions.....	5
Routine Maintenance.....	5
Replacing Switches.....	6
Wiring Diagram.....	7
AC200 Wiring Schematic.....	7
Breakdowns & Parts Lists.....	8
AC200 Breakdown.....	8
AC200 Parts List.....	9
CropCare [®] Limited Warranty.....	10
Ordering Parts.....	10

Installation Procedures

Control Unit

1. When using the AC200 control unit on an open station tractor, the control unit must be protected from the elements when not in use.
2. The AC200 mounts to the TeeJet 844E, Radion 8140, or the CropCare® SC500 Consoles. See diagrams below for proper mounting procedure.

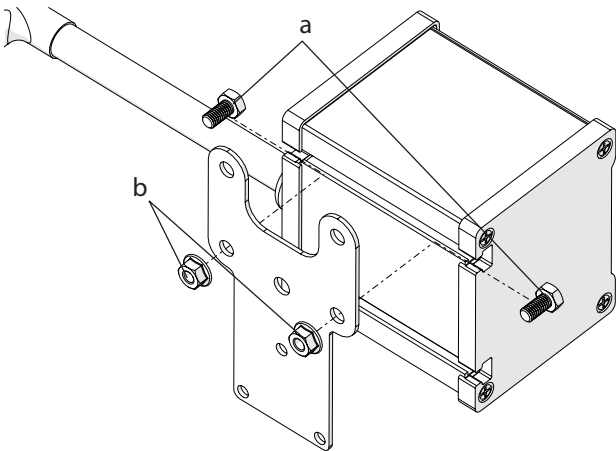


Figure 1: Control unit mounting

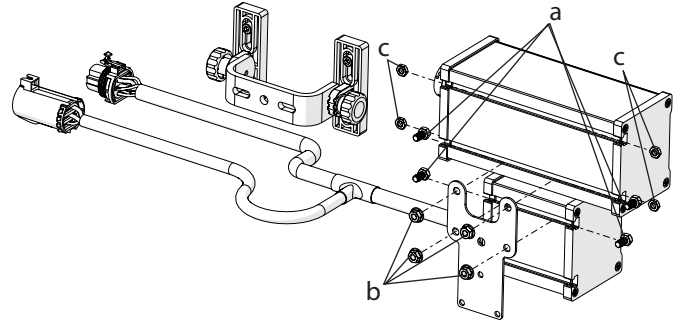


Figure 3: SC500 Control unit mounting

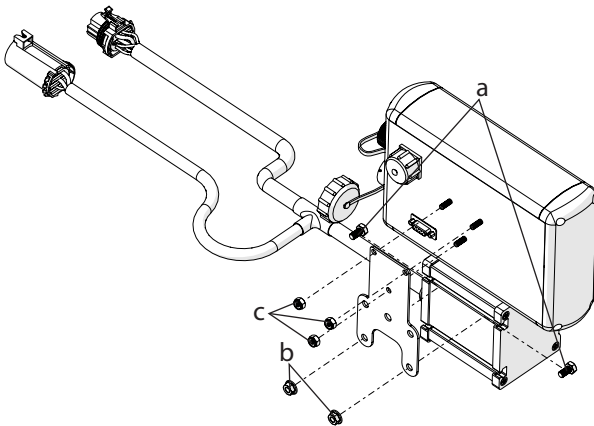


Figure 2: Radion 8140 Control unit mounting

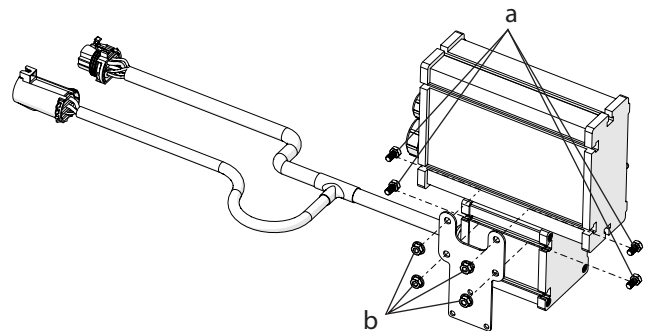


Figure 4: 844E-5 Control unit mounting

Operating Instructions

1. The AC200 sprayer control unit has 2 toggle switches (a) on the unit's face plate.
2. The lap nozzle control switch (b) controls the power to the left and/or right lap nozzle valve(s) if sprayer is equipped with this option.
3. The foam marker control switch (c) controls the power to the foam marker unit if sprayer is equipped with this option. The toggle switch has 3 positions off (middle), L (left), and R (right)

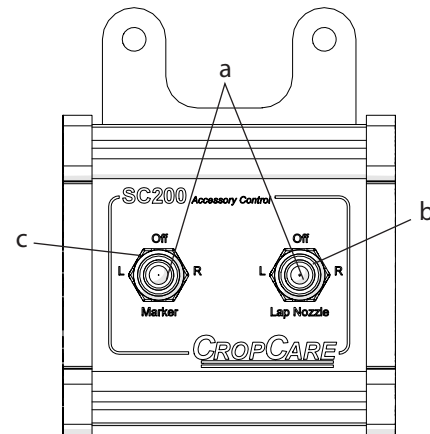


Figure 1: Control unit

Maintenance Instructions

Routine Maintenance

Several routine procedures should be followed to help maintain the AC200 sprayer control unit.

1. Check all wires and connections for damage, wear, and frayed ends to prevent shorting out and further damaging the system.
2. Check and be sure the control unit is mounted properly and securely.
3. All terminals and connections should be free of any corrosion.
4. The AC200 control unit is water-resistant but is not water-proof. DO NOT submerge the unit when cleaning.
5. When not in use, store in a dry area away from the elements.

Replacing Switches

Should either of the 2 toggle switches on the AC200 control unit fail or sustain damage, follow these steps to remove the switch and replace it with a new one.

1. Remove the end cap (a) from the control box by removing the four screws (Figure 1).
2. Slide the face plate (b) out of the control box (Figure 1).
3. Disconnect wire terminals (c) from the switch (Figure 1).
4. Remove the rubber switch boot (e) from the selected switch (Figure 1).
5. With the switch boot removed, loosen the nut (d) that holds the switch onto the face plate (Figure 1).
6. With the nut removed the switch can now be removed and replaced with a new one.
7. Note: Be sure the new switch is connected correctly. Refer to the wiring schematic on pages 6 for wiring the switches.
8. When the switch is replaced, slide the face plate back into the control box. Be sure the face plate gaskets (f) slide back in properly (Figure 1). Also make sure that the wires slide back in and are not pinched or caught anywhere.

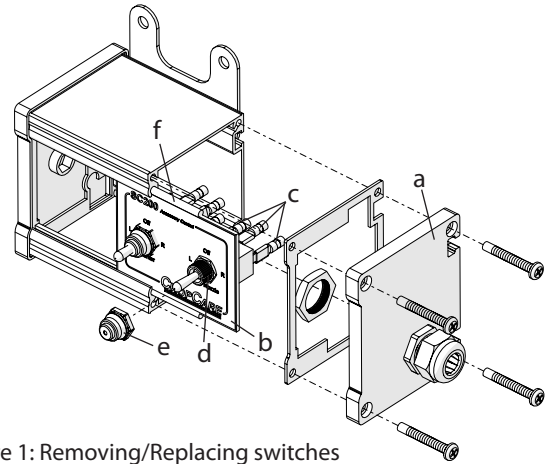
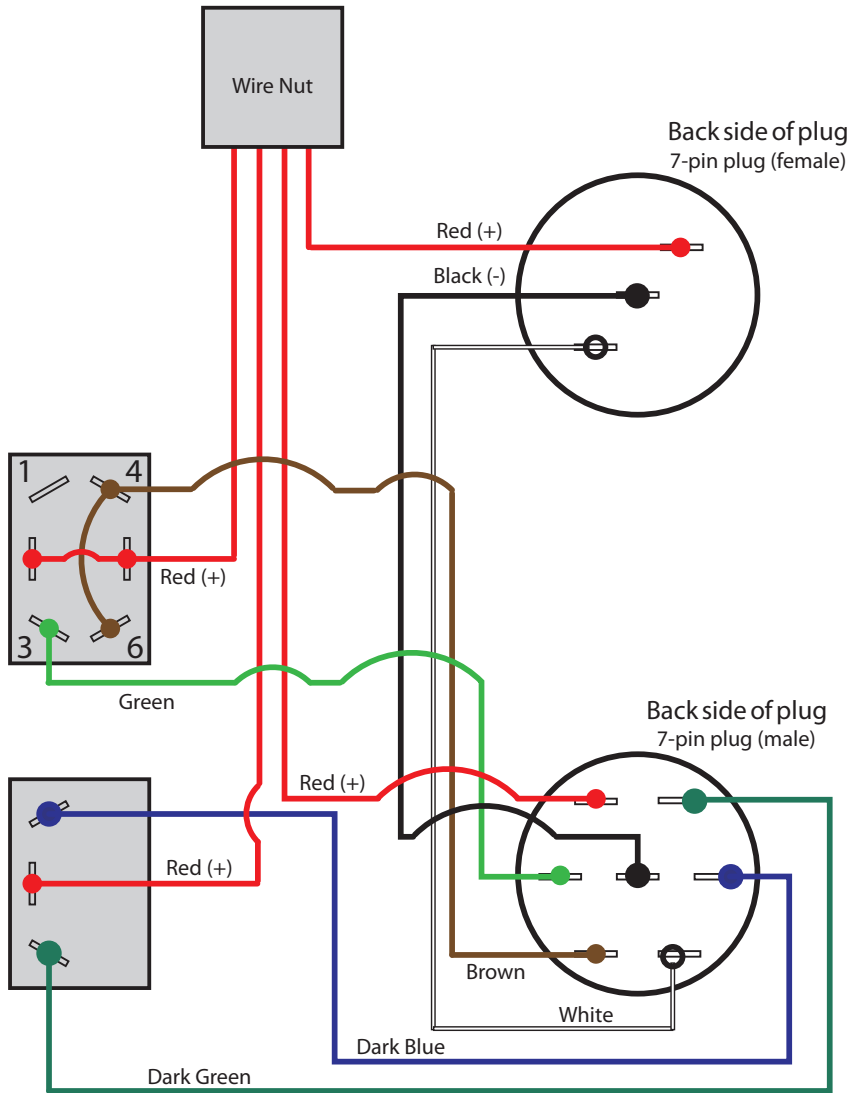


Figure 1: Removing/Replacing switches

Wiring Diagrams

AC200 Wiring Schematic



Front Side

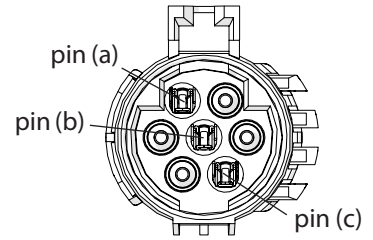


Figure 2: Female Plug

Pin	Color	Signal Name
a	red	Power (+)
b	black	ground (-)
c	white	Remote Master (+)

Front Side

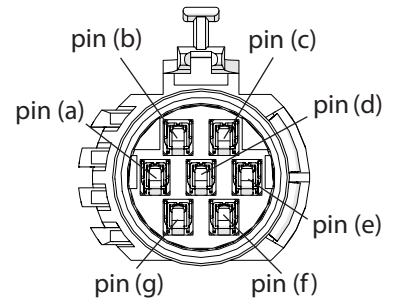
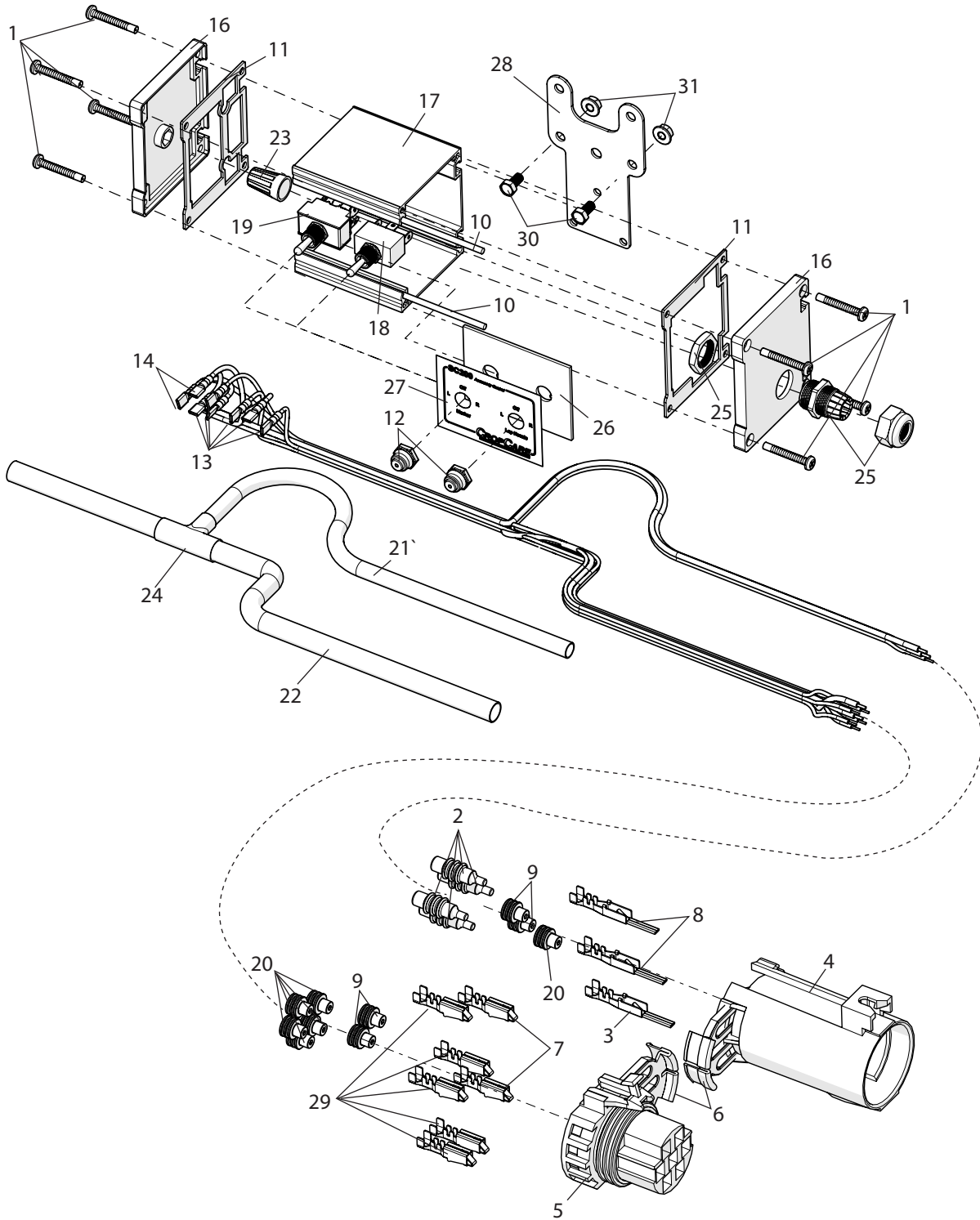


Figure 1: Make Plug

Pin	Color	Signal Name
c	red	power (+)
b	dark green	R. Lap Noz. (Signal)
e	green	FM Valve
d	black	ground (-)
a	dark blue	L. Lap Noz. (Signal)
g	white	Remote Master
f	brown	FM Compressor

AC200 Breakdown



Breakdowns & Parts Lists

AC200 Parts List

Ref #	Qty.	Part Number	Description
1	8	100097	Screw, End Cap SC400
2	4	12010300	Seal, Cavity Plug Green
3	1	12048159-L	Connector, Male 3.12mm - -2.03mm
4	1	12110751-B	Connector, Female 7 Way Assy
5	1	12110753-B	Connector, Male 7 Position
6	2	12110754-B	Lock, Secondary Lt Gray
7	2	12129493-L	Connector, Female 3.5mm - 2.45 mm
8	2	12129497-L	Connector, Male 3.80mm -2.45mm
9	4	15324981	Seal, Cavity Blue
10	0.6	250056	O-Ring, Panel SC400 Salv
11	2	250069	Gasket, End Cap SC400 Salv
12	2	400563	Switch, Toggle Half Boot With O-Ring
13	6	506567	Terminal, Spade Female 16-14 gauge insulated 1/4"
14	2	562890	Terminal, Spade Female 12-10 gauge insulated
15	5	618UV	Cable Tie, 6" 18 Lb black (Not Shown)
16	2	760059-01	Extrusion, End Cap Plastic
17	1	760134-90	Extrusion, Aluminum 90 MM
18	1	DC7200105	Switch,Toggle SPDT On-Off-On
19	1	DC7300131	Switch,Toggle DPDT On-Off-On
20	6	DC75004	Cavity Seal, 16-14 Gauge
21	1	DC784	Loom, Flex-Gard 3/8"
22	1.5	DC786	Loom, Flex-Gard 1/2"
23	1	E10307	Wire Nut, Set Screw #30-222 Lg
24	1	LCT-5037550	Loom clamp tee, 1/2" - 3/8" - 1/2"
25	1	LPCG50	Strain Relief, 0.2" - 0.47" diameter, PVC
26	1	S201	Accessory box, aluminum switch plate
27	1	S202	Decal, Accessory Box
28	1	S203	Accessory box, mount plate
29	5	12077411-L	Connector, Female 3.12mm - 2.03mm
30	4	H6*12M	Bolt, Hex Metric 6mm x 12mm 1.0 Pitch
31	4	FN6M	Nut, Flange 6mm x 1.0 Pitch

CropCare[®] Limited Warranty

Sprayer Control Unit: model AC200

Warranty Coverage

CropCare[®] hereby provides a Limited One (1) Year Warranty on Accessory Control Units, manufactured by CropCare[®]. Accessory Control Units manufactured by CropCare[®] are warranted against any manufacturer's defects in any of the control unit's components in the 12 months following the original date of purchase.

Defective components will be repaired or replaced at the discretion of the manufacturer. It is the responsibility of the purchaser to return warranted components to the manufacturer. This warranty is limited to the repair or replacement of control unit components only. CropCare[®] is not to be held liable for incidental or consequential damages of any kind. This warranty covers the purchaser of this control unit and any other owners who own it during the one year warranty period.

To retain the warranty, the control unit must be operated and maintained as ascribed by its owner's manual. For warranty service, please have a copy of the purchase invoice available.

Warranty Is Void if:

1. The control unit has been subjected to, in the opinion of CropCare[®], negligent handling, misuse, an accident or if the instructions in the owner's manual were not completely followed.
2. The control unit's components have been altered in any manner or repairs have taken place with unapproved parts.

Getting Warranty Service

All sprayer control unit warranty claims must be made through the original retailer. All warranty claims must be submitted with an invoice or a proof of purchase that denotes the purchase date and place of purchase. If you have any questions or comments concerning this warranty, please contact the original retailer.

Ordering Parts

Please contact the original retailer to order replacement parts for your product.

CROPCARE

Manufactured by PBZ LLC
A Paul B Zimmerman Inc. Company
www.CropCareEquipment.com