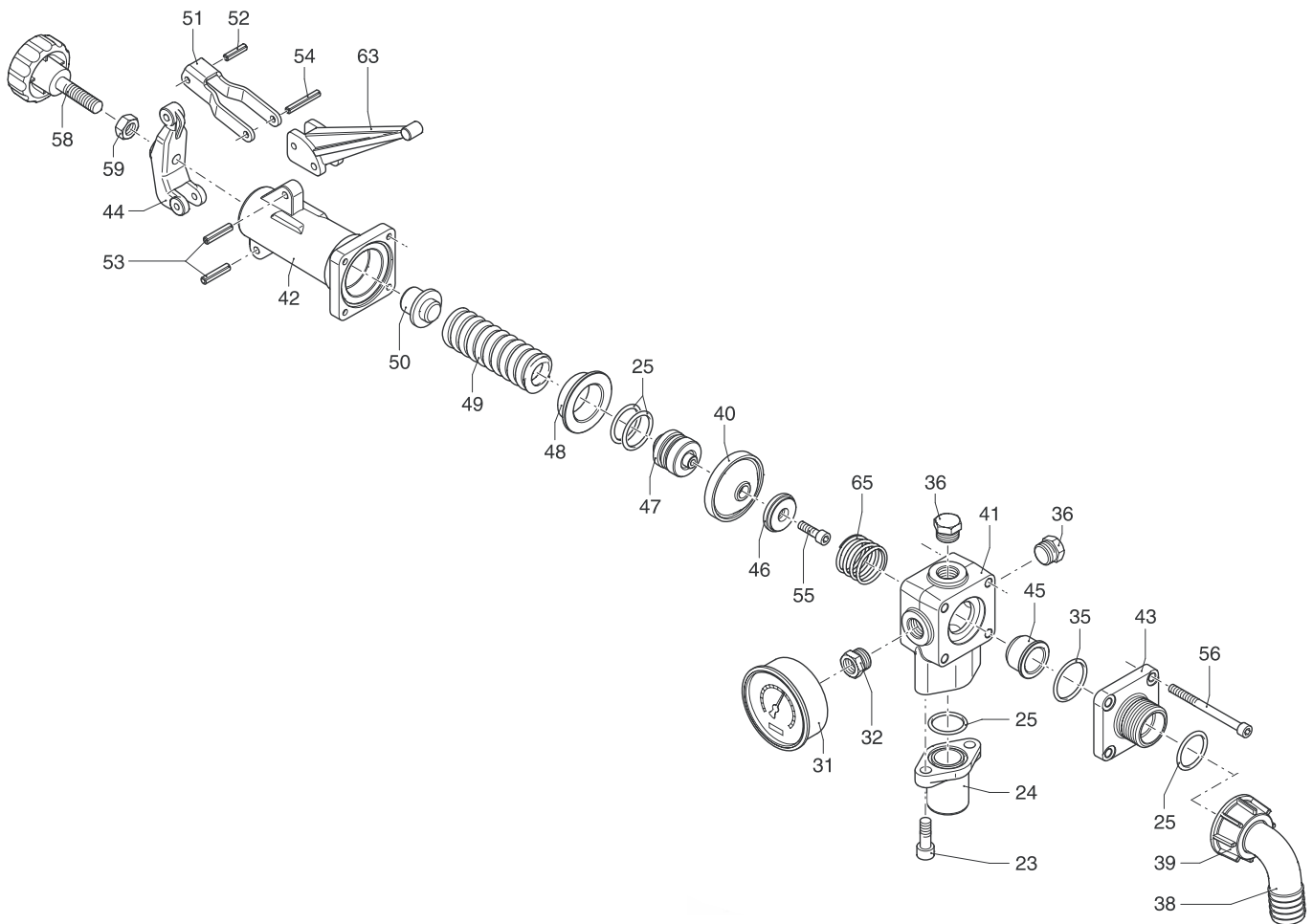


9910GH50 Breakdown

Control unit, regulating valve, bypass control lever, pressure gauge, 725psi, 52.8 gpm max



9910GH50 Breakdown

Control unit, regulating valve, bypass control lever, pressure gauge, 725psi, 52.8 gpm max

Ref#	Qty.	Part Number	Description
23	2	620610	Bolt
24	1	550394	Flange 3/4" G(F)
25	4	550350 *	O-ring
31	1	1880290	Pressure gauge
32	1	130170	Pipe reducer
35	1	280220 *	O-Ring
36	2	130171	Plug
38	1	550370 *	Elbow
39	1	550242	Ring Nut
40	1	390740 *	Diaphragm (Buna)
41	1	680412	Valve body
42	1	680423	Upper valve side
43	1	680432	Discharge flange
44	1	680442	Tension adj. support
45	1	680460 *	Valve seat
46	1	680470 *	Valve
47	1	680480	Valve piston
48	1	680490	Piston valve
49	1	680500	Regulating spring
50	1	680510	Spring guide
51	1	680520	Lever guide
52	1	680530	Pin
53	2	680540	Pin
54	1	680550	Pin
55	1	680700	Bolt
56	4	680570	Bolt
58	1	660130	Control Knob
59	1	180150	Nut
63	1	680452	Control Lever
65	1	320420 *	Spring

* Components are included in the AR1936 repair kit.