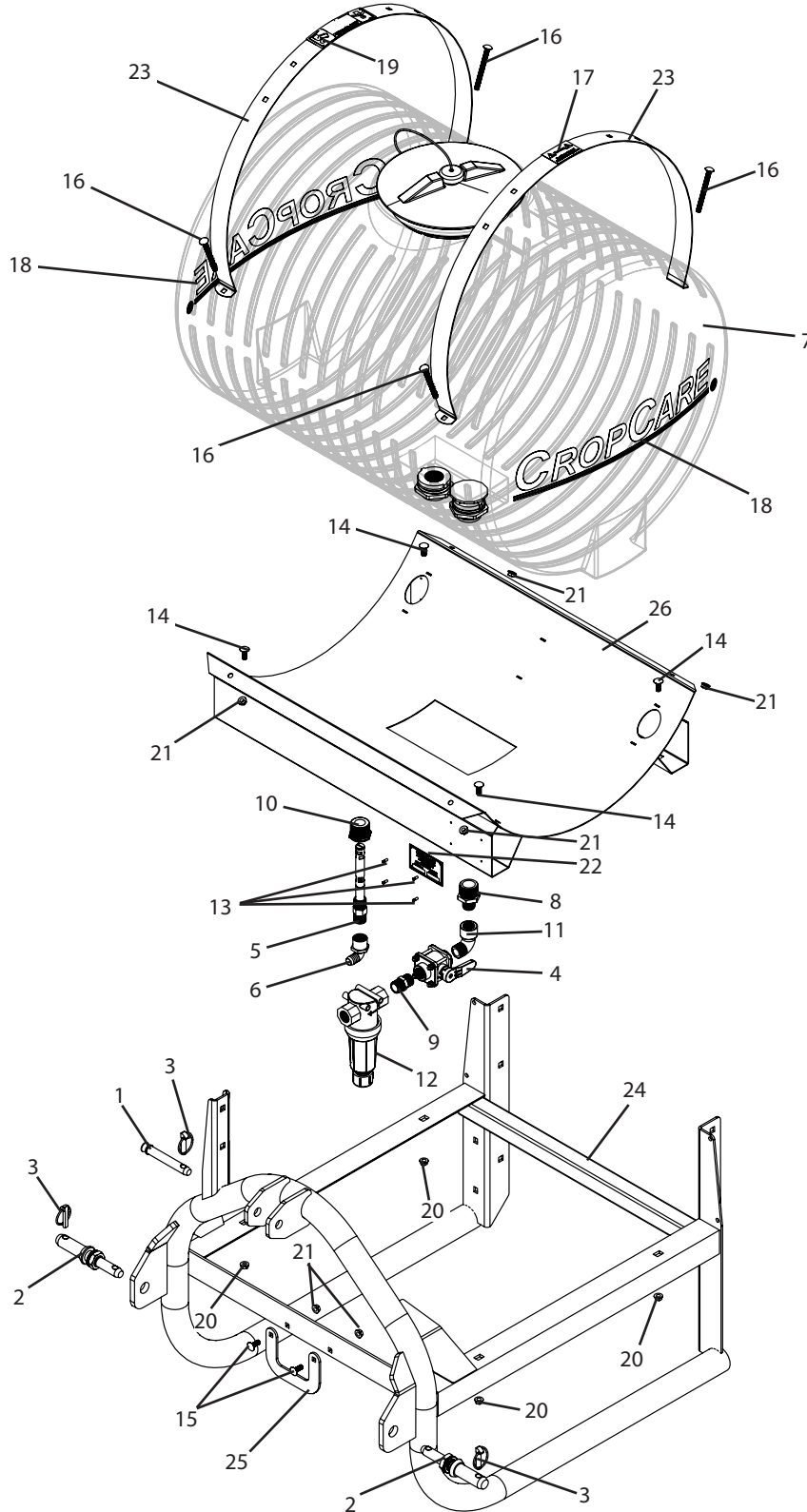


3PT110S Breakdown

110 gallon 3PT hitch shielded boom



3PT110S Breakdown

110 gallon 3PT hitch shielded boom

Ref#	Qty.	Part Number	Description
1	1	00074	Pin, Top Link Cat 1 (3-7/8" Usable)
2	2	00213	Pin, Lift Arm Cat 1 & 2 Forged
3	3	02703	Pin, Linch 7/16" Cat 1 & 2
4	1	075FP	Valve, Ball Bolted 3/4" Full Port
5	1	33710019	Agitator, Jet
6	1	3EL34F	Adapter, Hose 90° 3/4" FPT x 3/4" HB
7	1	47194 *	Tank, 110 Gallon w/ 2" Sump Yellow
8	1	8M11434	Nipple, Reducer 1-1/4" MPT x 3/4" MPT Sch 80 Poly
9	1	8M34	Nipple, 3/4" MPT x Close Sch 80 Poly
10	1	8RB11434	Bushing, Reducer 1-1/4" MPT x 3/4" FPT Sch 80 Poly
11	1	8SE34	Elbow, Street 90° 3/4" NPT Sch 80 Poly
12	1	AA126ML-3-50 *	Strainer, Line 3/4" FPT 50 Mesh Screen Flush out
13	4	BTT44	Rivet, Pop 1/8" Dia. x .188" x .250" Grip SS
14	4	CB12*1G5	Bolt, Carriage 1/2-13 x 1" Gr 5
15	2	CB38*1G5	Bolt, Carriage 3/8-16 x 1" Gr 5
16	4	CB38*4G5	Bolt, Carriage 3/8-16 x 4" Gr 5
17	1	DE39	Decal, "Warning Read Owner's Manual
18	2	DE57	Decal, CropCare Logo 4 7/8" x 24"
19	1	DEMT3980	Decal, "Warning Avoid Injury Follow Labels"
20	4	FN12	Nut, Flange 1/2-13
21	6	FN38	Nut, Flange 3/8-16
22	1	SP500	Plate, Serial Number
23	2	SS30	Tank strap, 110 & 150 gallon, gray
24	1	T150	Frame, 3PT, 110 & 150 gallon, gray
25	1	T411	Hose guide plate
26	1	TS3034P	Tank saddle, 110 gallon, gray

* Additional parts breakdowns are available.