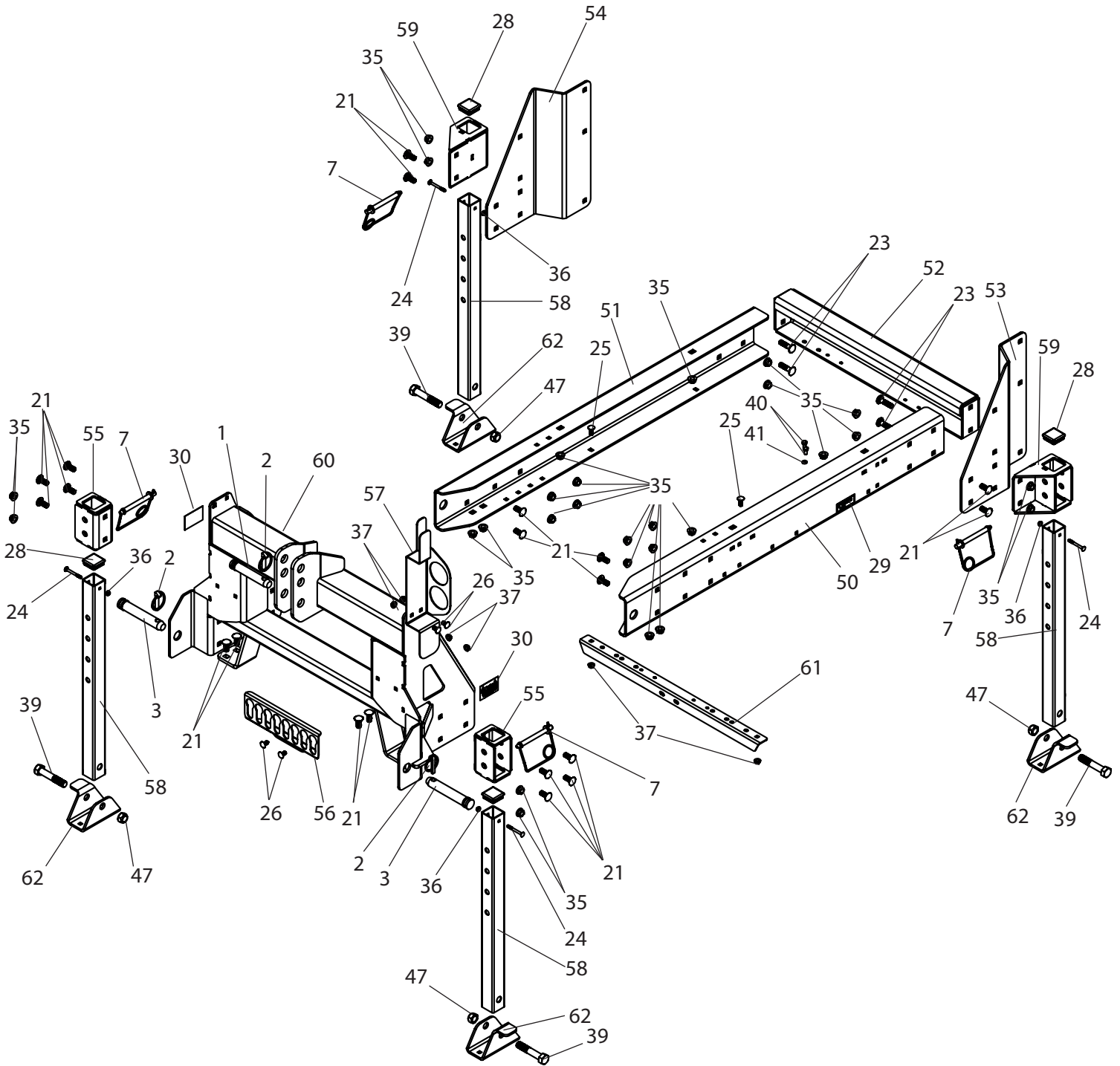


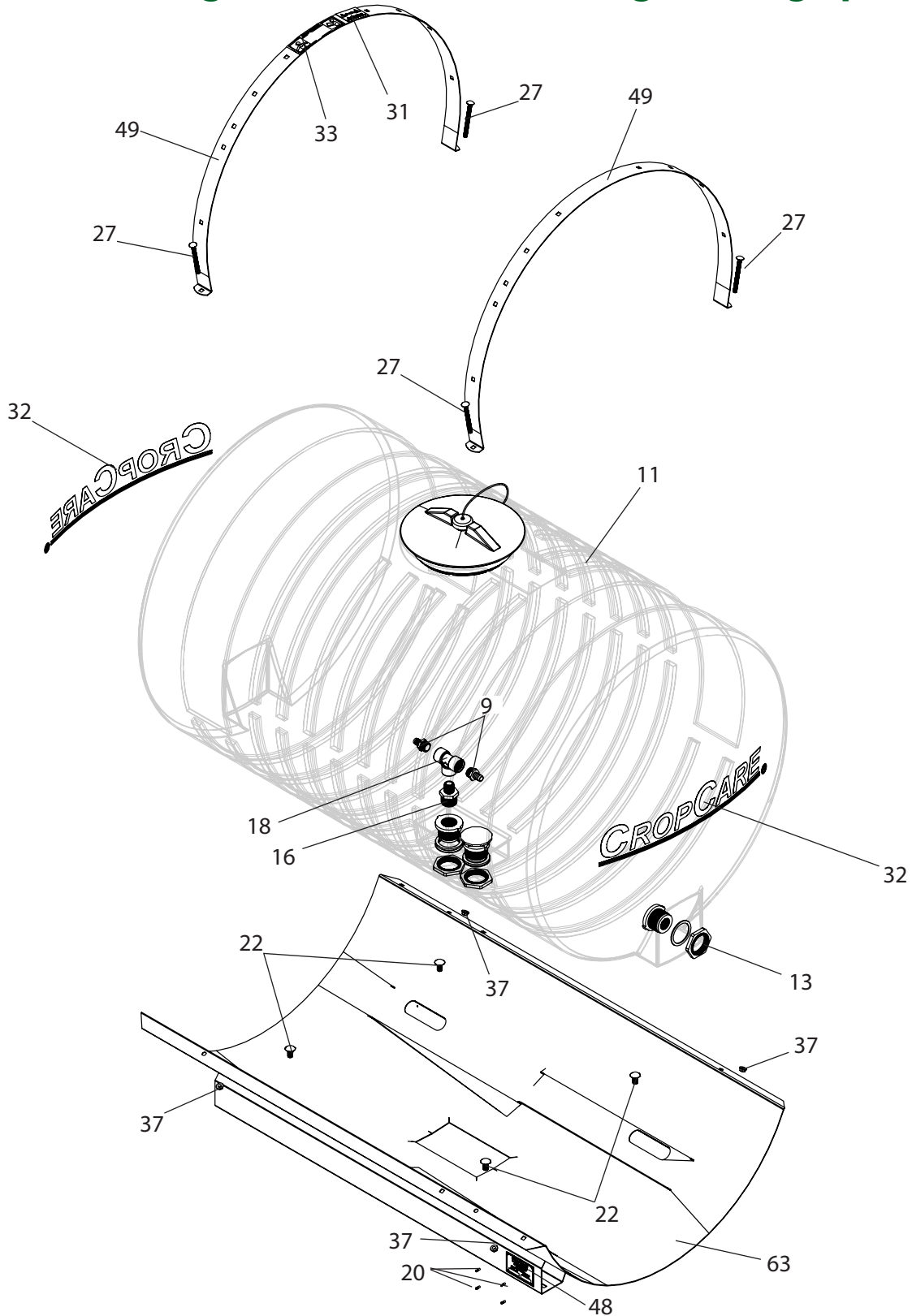
3PT115H, 3PT155H, 3PT205H, and 3PT305H Breakdown

110, 150, 200, 300 gallon 3PT base kit, configured, high pressure



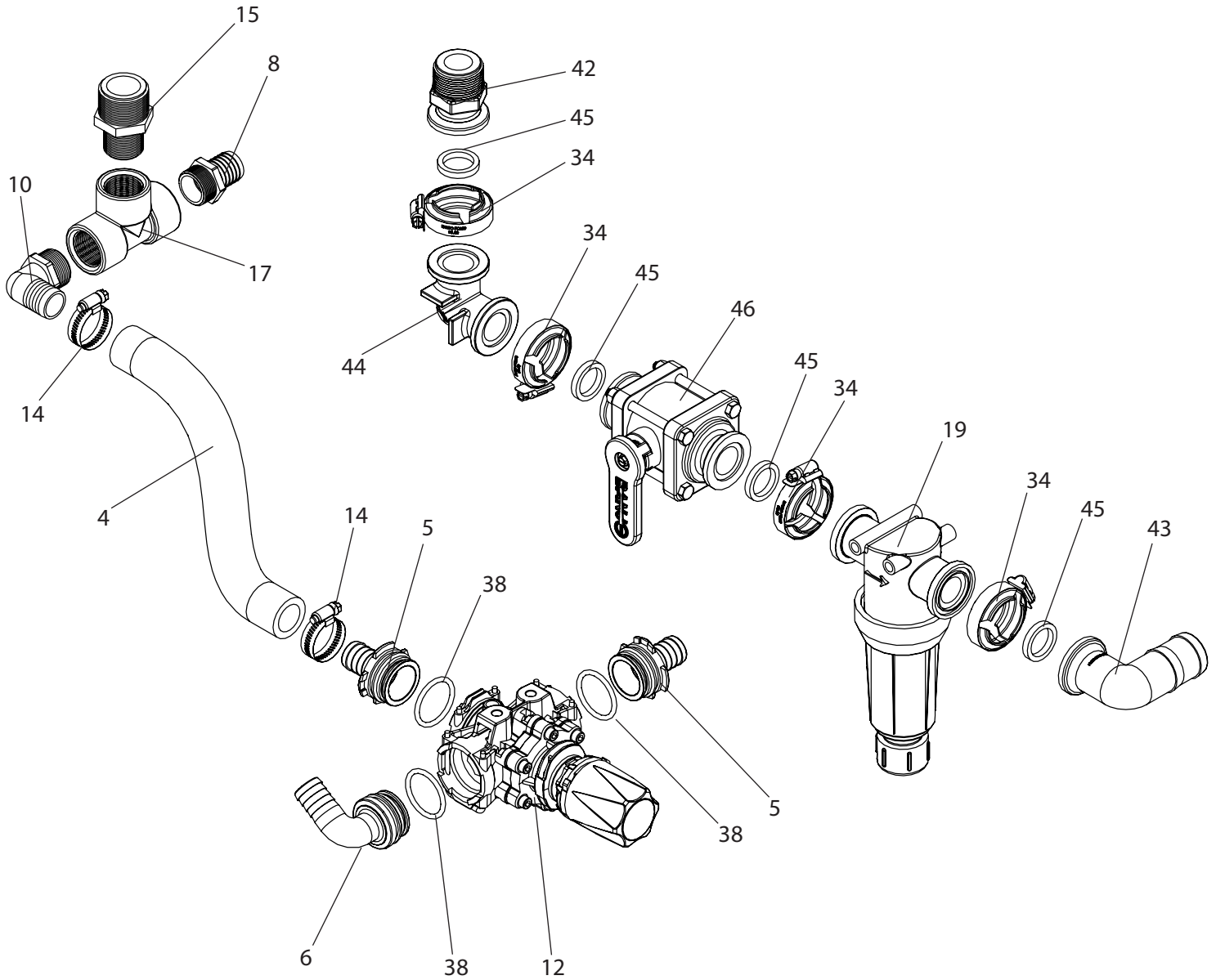
3PT115H, 3PT155H, 3PT205H, and 3PT305H Breakdown

110, 150, 200, 300 gallon 3PT base kit, configured, high pressure



3PT115H, 3PT155H, 3PT205H, and 3PT305H Breakdown

110, 150, 200, 300 gallon 3PT base kit, configured, high pressure



3PT115H, 3PT155H, 3PT205H, and 3PT305H Breakdown

110, 150, 200, 300 gallon 3PT base kit, configured, high pressure

Ref#	Qty.	Part Number	Description
1	1	03011	Pin, Top Link Cat 2 (4-5/16" Usable)
2	3	03027	Pin, Linch HD 7/16" Black
3	2	07237	Pin, Lift Arm Cat 2 Forged 7" w/5-3/8" Usable
4	1.5 FT	1016	Hose, EPDM Rubber 1" 300 PSI
5	2	1091525	Adapter, Hose T5 Male QC to 1" HB
6	1	1191525	Fitting, T5 Male QC to 90° 1" HB
7	4	15195	Pin, Snap-Lock 1/2" x 4 1/4"
8	1	3A100	Adapter, Hose 1" MPT x 1" HB
9	2	3A3458	Adapter, Hose 3/4" MPT x 5/8" HB
10	1	3EL100	Adapter, Hose Ell 1" MPT x 1" HB
11	1	47321 * +	Tank, 300 Gallon w/ 2-1/2" Sump Yellow
-	1	47323 ** +	Tank, 200 Gallon w/ 2" Sump Yellow
-	1	47254 *** +	Tank, 150 Gallon w/ 2" Sump Yellow
-	1	47194 *** +	Tank, 110 Gallon w/ 2" Sump Yellow
12	1	475552 +	Valve, Pressure Relief T5 QC 290 PSI
13	1	60427	Fitting, Bulkhead 1" FPT Dbl Tap (Requires 2-1/4" Hole)
14	2	6816052	Hose Clamp, 13/16" - 1-1/2" SS
15	1	8M1141	Nipple, Reducer 1-1/4" MPT x 1" MPT Sch 80 Poly
16	1	8M11434	Nipple, Reducer 1-1/4" MPT x 3/4" MPT Sch 80 Poly
17	1	8TT100	Tee, 1" FPT Sch 80 Poly
18	1	8TT34	Tee, Poly 3/4" FPT Sch 80
19	1	AA126ML-F50-50 +	Strainer, Line 1" Flange 50 Mesh Screen Flush Out
20	4	BTT44	Rivet, Pop 1/8" Dia. x .188" x .250" Grip SS
21	20	CB12*114G5	Bolt, Carriage 1/2-13 x 1-1/4" Gr 5
22	4	CB12*1G5	Bolt, Carriage 1/2-13 x 1" Gr 5
23	4	CB12*2G5	Bolt, Carriage 1/2-13 x 2" Gr 5
24	4	CB14*212G5	Bolt, Carriage 1/4-20 x 2-1/2" Gr 5
25	2	CB38*1G5	Bolt, Carriage 3/8-16 x 1" Gr 5
26	4	CB38*34G5	Bolt, Carriage 3/8-16 x 3/4" Gr 5
27	4	CB38*4G5	Bolt, Carriage 3/8-16 x 4" Gr 5
28	4	CC5515	Plug, Poly Square 2" x 10-14 Ga Black
29	1	DE105	Decal, Max Operating Pressure
30	2	DE136	Decal, Disconnecting Sprayer Warning
31	1	DE39	Decal, "Warning Read Owner's Manual" 2" x 3"
32	2	DE57	Decal, CropCare Logo 4 7/8" x 24"

* Parts used on 300 gallon 3pt sprayers.

** Parts used on 200 gallon 3pt sprayers.

*** Parts used on 150 gallon 3pt sprayers.

**** Parts used on 110 gallon 3pt sprayers.

^ Replaced with M100125BRB (Fitting, Flange 1-1/4" HB x 1" Flange) when used with rinse, education, and quick fill.

+ Has component parts breakdown available.

3PT115H, 3PT155H, 3PT205H, and 3PT305H Breakdown

110, 150, 200, 300 gallon 3PT base kit, configured, high pressure

Ref#	Qty.	Part Number	Description
33	1	DEMT3980	Decal, "Warning Avoid Injury Follow Labels"
34	4	FC100	Clamp, Flange 1" Std SS
35	28	FN12	Nut, Flange 1/2-13
36	4	FN14	Nut, Flange 1/4-20
37	10	FN38	Nut, Flange 3/8-16
38	3	G11063	O-Ring, EDPM T5 Quick Connect
39	4	H5C34*4	Bolt, Hex 3/4-10 x 4" Gr 5
40	2	H8*16M	Bolt, Hex 8mm x 16mm 1.25 Pitch 10.9 Zinc
41	2	LW516	Washer, Lock 5/16"
42	1	M100125MPT	Flange, 1-1/4" MPT x 1" Flange
43	1	M100150BRB90 ^	Flange, 1-1/2" 90 Degree Elbow x 1" Flange
44	1	M100CPG90	Coupling, 90° 1" Flange x 1" Flange
45	4	M100G	Gasket, Manifold EDPM 1"
46	1	MV100CF	Valve, Ball 1" Flange x 1" Flange
47	4	SNC34	Nut, Lock Steel 3/4-10
48	1	SP500	Plate, Serial Number
49	2	SS38	Tank strap, 300 gallon, gray
-	2	SS32 **	Tank strap, 200 gallon, gray
-	2	SS30 *** ****	Tank strap, 110 & 150 gallon, gray
50	1	T301	Frame Rail, 3PT200-305, Left
51	1	T302	Frame Rail, 3PT200-305, Right
52	1	T303	Frame Rail, 3PT200-305, Rear
53	1	T304	Boom Mount Plate, 3PT200-305, Left
54	1	T305	Boom Mount Plate, 3PT200-305, Right
55	2	T310	200-300 3PT, Adj Leg Brackets
56	1	T322	3PT200-305 Hydraulic hose holder, 8 ports
57	1	T330	200/300 3PT, Hose Loop Holder
58	4	T331	3pt leg, 200-300 gallon
59	2	T332	200-300 3PT, Rear Adj Leg Brackets
60	1	T335	200-300 3PT, 3PT Cat 2 Weldment
61	1	T465	Rear Hose Routing Mount
62	4	T597	3pt sprayer, foot plate
63	1	TS3860P	Tank saddle, 300 gallon, gray
-	1	TS3260P **	Tank saddle, 200 gallon, gray
-	1	TS3051P ***	Tank saddle, 150 gallon, gray
-	1	TS3034P ****	Tank saddle, 110 gallon, gray

* Parts used on 300 gallon 3pt sprayers.

** Parts used on 200 gallon 3pt sprayers.

*** Parts used on 150 gallon 3pt sprayers.

**** Parts used on 110 gallon 3pt sprayers.

^ Replaced with M100125BRB (Fitting, Flange 1-1/4" HB x 1" Flange) when used with rinse, education, and quick fill.

+ Has component parts breakdown available.