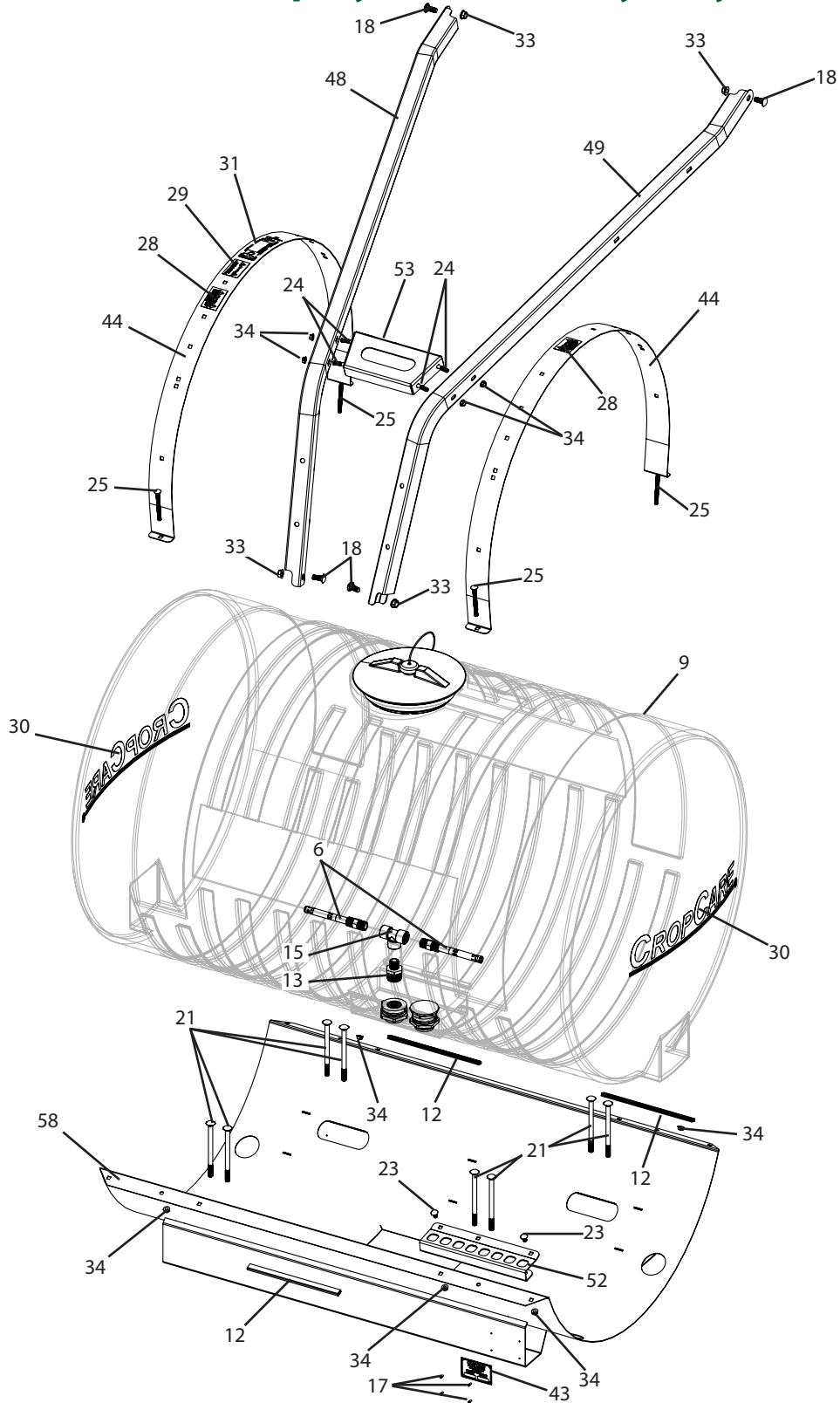


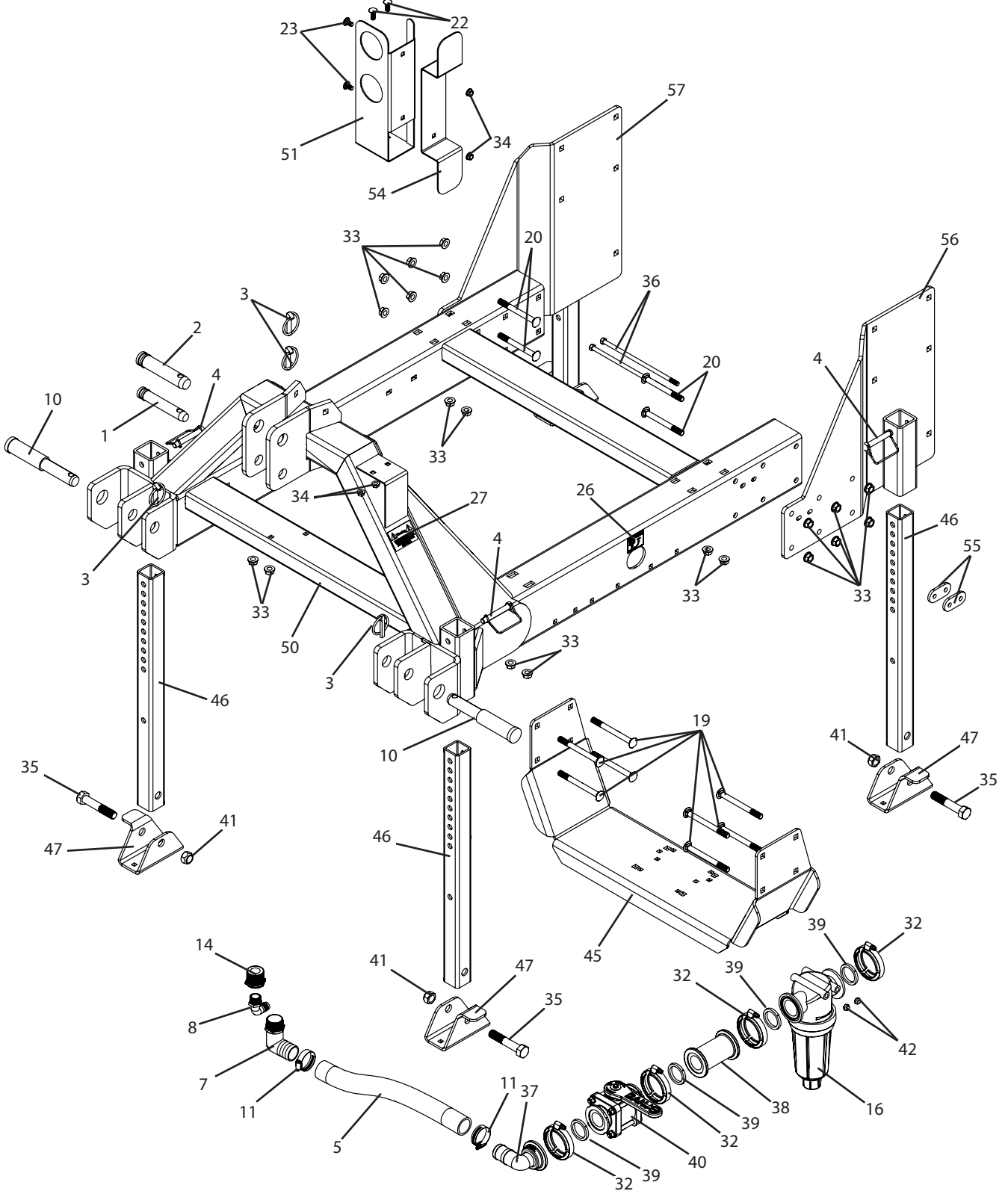
3PT300HD & 3PT400HD Breakdown

300 & 400 gallon 3PT hitch sprayer base, heavy duty



3PT300HD & 3PT400HD Breakdown

300 & 400 gallon 3PT hitch sprayer base, heavy duty



3PT300HD & 3PT400HD Breakdown

300 & 400 gallon 3PT hitch sprayer base, heavy duty

Ref#	Qty.	Part Number	Description
1	1	03011	Pin, Top Link Cat 2 (4-5/16" Usable)
2	1	03026	Pin, Top Link Cat. 3 (4 7/16" Usable)
3	4	03027	Pin, Linch HD 7/16" Black
4	4	12-3SW-G8LP	Pin, Square Lock 1/2" x 3"
5	1.67 FT	3112	Hose, Suction EPDM Blend 1-1/2" 60 PSI
6	2	33710019	Agitator, Jet
7	1	3EL114112	Elbow, Hose 90° 1-1/4" MPT x 1-1/2" HB
8	1	3EL3434	Adapter, Hose 90° 3/4" MPT x 3/4" HB
9	1	47332 * +	Tank, 400 Gallon w/2-1/2" Sump Yellow
10	2	47711	Pin, Lift Arm CAT 2 & 3
11	2	6824052	Hose Clamp, 1" - 2" SS
12	3	8451A74	Trim, Push-on Rubber w/Steel Core 1/16" - 11/64"
13	1	8M11434	Nipple, Reducer 1-1/4" MPT x 3/4" MPT Sch 80 Poly
14	1	8RB11434	Bushing, Reducer 1-1/4" MPT x 3/4" FPT Sch 80 Poly
15	1	8TT34	Tee, Poly 3/4" FPT Sch 80
16	1	AA126ML-F75-50 *	Strainer, Line 2" Flange 50 Mesh Screen Flush Out
17	4	BTT44	Rivet, Pop 1/8" Dia. x .188" x .250" Grip SS
18	4	CB12*114G5	Bolt, Carriage 1/2-13 x 1-1/4" Gr 5
19	8	CB12*512G5	Bolt, Carriage 1/2-13 x 5-1/2" Gr 5
20	4	CB12*5G5	Bolt, Carriage 1/2-13 x 5" Gr 5
21	8	CB12*7G5	Bolt, Carriage 1/2-13 x 7" Gr 5
22	2	CB38*1G5	Bolt, Carriage 3/8-16 x 1" Gr 5
23	4	CB38*34G5	Bolt, Carriage 3/8-16 x 3/4" Gr 5
24	4	CB38*3G5	Bolt, Carriage 3/8-16 x 3" Gr 5
25	4	CB38*4G5	Bolt, Carriage 3/8-16 x 4" Gr 5
26	1	DE116	Decal, Tank Valve
27	2	DE136	Decal, Disconnecting Sprayer Warning
28	2	DE141	Decal, Warning No Climbing On Sprayer
29	1	DE39	Decal, "Warning Read Owner's Manual
30	2	DE57	Decal, CropCare Logo 4 7/8" x 24"
31	1	DEMT3980	Decal, "Warning Avoid Injury Follow Labels"
32	4	FC200	Clamp, Flange 2" Std SS
33	24	FN12	Nut, Flange 1/2-13
34	14	FN38	Nut, Flange 3/8-16
35	4	H5C34*4	Bolt, Hex 3/4-10 x 4" Gr 5
36	2	H5C38*10	Bolt, Hex 3/8-16 x 10" Gr 5
37	1	M200150BRB90	Elbow, Flange 1-1/2" 90° HB x 2" Flange
38	1	M200CPG	Flange, Coupling 2" Std x 2" Flange x 4-1/2"
39	4	M201G	Gasket, Manifold EPDM 2" w/Rib
40	1	MV200CF	Valve, Ball Bolted 3 Way Side Load 2" Std Port x 2" Flange

3PT300HD & 3PT400HD Breakdown

300 & 400 gallon 3PT hitch sprayer base, heavy duty

Ref#	Qty.	Part Number	Description
41	4	SNC34	Nut, Lock Steel 3/4-10
42	2	SNC38	Nut, Lock Steel 3/8-16
43	1	SP500	Plate, Serial Number
44	2	SS42 +	Tank strap, 400 gallon, gray
45	1	T595	3pt sprayer, low pressure pump mount
46	4	T596	3pt sprayer, leg tube
47	4	T597	3pt sprayer, foot plate
48	1	T599A	3pt sprayer, left brace
49	1	T599B	3pt sprayer, right brace
50	1	T603	Frame, 3PT 300/400 Gal
51	1	T605	Hose loop holder
52	1	T606	Hydraulic hose holder, 8 ports
53	1	T609	3pt sprayer, brace
54	1	T612	Wire holder
55	2	T615	3pt sprayer, filter spacer plate
56	1	T886	Boom Mount, Right
57	1	T887	Boom Mount, Left
58	1	TS4260P +	Saddle, 400 gallon, 42" diameter

*Component parts breakdowns are available for these items.

+For 300 gallon 3pt, use the following parts: 47321, SS38, and TS3860P.