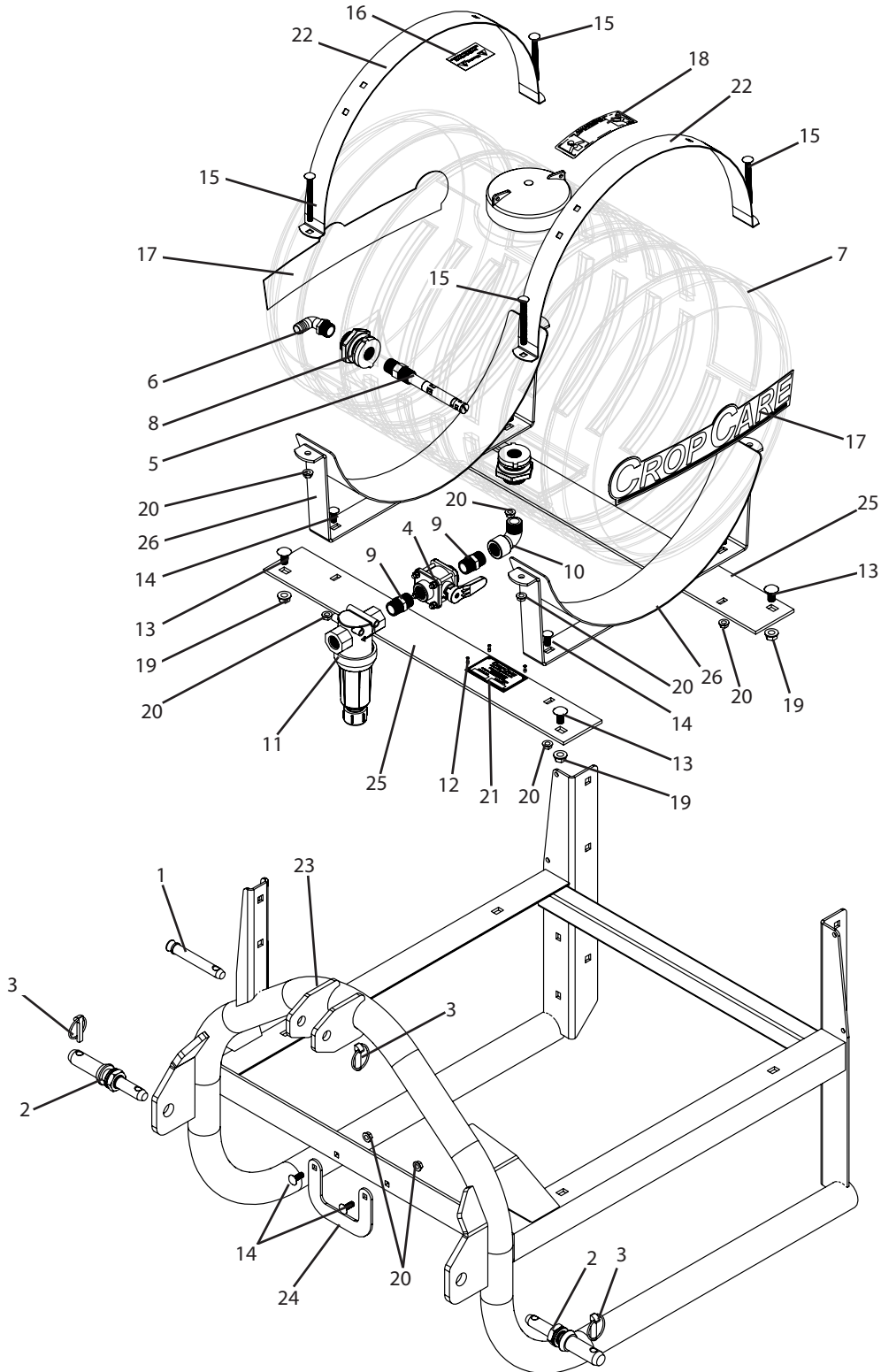


## 3PT55S Breakdown

### 55 gallon 3PT hitch shielded boom sprayer



## 3PT55S Breakdown

### 55 gallon 3PT hitch shielded boom sprayer

Ref#	Qty.	Part Number	Description
1	1	00074	Pin, Top Link Cat 1 (3-7/8" Usable)
2	2	00213	Pin, Lift Arm Cat 1 & 2 Forged
3	3	02703	Pin, Linch 7/16" Cat 1 & 2
4	1	075FP	Valve, Ball Bolted 3/4" Full Port
5	1	33710019	Agitator, Jet
6	1	3EL3434	Adapter, Hose 90° 3/4" MPT x 3/4" HB
7	1	47337 *	Tank, 55 Gal Shallow Sump Yellow
8	1	62798	Fitting, Tank 3/4" FPT Dbl Tap (Requires 1-5/8" Hole)
9	2	8M34	Nipple, 3/4" MPT x Close Sch 80 Poly
10	1	8SE34	Elbow, Street 90° 3/4" NPT Sch 80 Poly
11	1	AA126ML-3-50 *	Strainer, Line 3/4" FPT 50 Mesh Screen Flush out
12	4	BTT44	Rivet, Pop 1/8" Dia. x .188" x .250" Grip SS
13	4	CB12*1G5	Bolt, Carriage 1/2-13 x 1" Gr 5
14	6	CB38*1G5	Bolt, Carriage 3/8-16 x 1" Gr 5
15	4	CB38*4G5	Bolt, Carriage 3/8-16 x 4" Gr 5
16	1	DE39	Decal, "Warning Read Owner's Manual
17	2	DE47	Decal, CropCare Logo 3.75" x 19.25"
18	1	DEMT3980	Decal, "Warning Avoid Injury Follow Labels"
19	4	FN12	Nut, Flange 1/2-13
20	10	FN38	Nut, Flange 3/8-16
21	1	SP500	Plate, Serial Number
22	2	SS23	Tank strap, 55 gallon, gray
23	1	T150	Frame, 3PT, 110 & 150 gallon, gray
24	1	T411	Hose guide plate
25	2	T535	Adapter, 55 gal tank on 3PT150 frame
26	2	TS23P	Tank saddle, 55 gallon, gray

\* Additional parts breakdowns are available for these components.