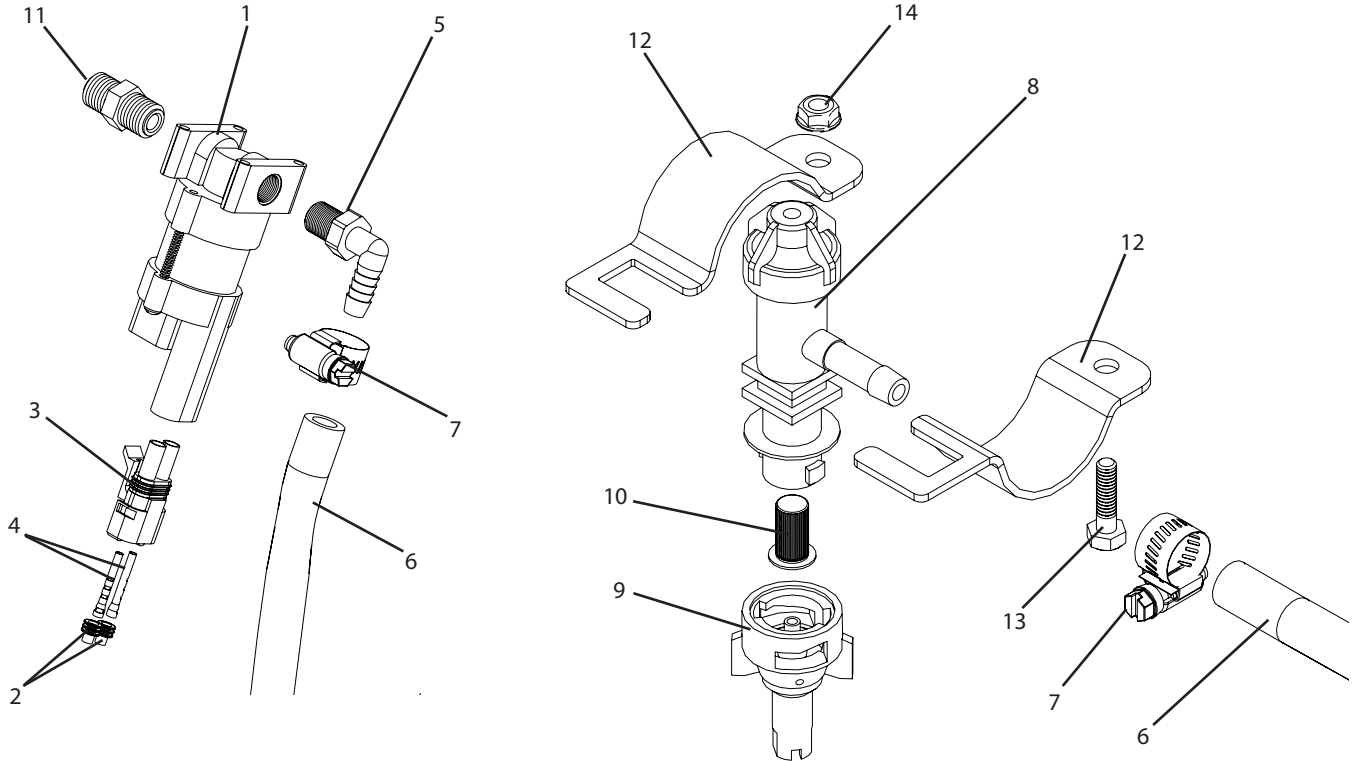


A117 Breakdown

Boom lap nozzle with electric valve



Ref#	Qty.	Part Number	Description
1	1	2201A-WP	Solenoid, 1/4" FPT, 1gpm, 125psi, 12V, 1.1A
2	2	DC75004	Seal, Cavity 16-14 Gauge Gray Weather-Pack
3	1	DC75014	Connector, Female 2 Pos Weather-Pack
4	2	DC75036	Terminal, Female 16-14 Ga Weather-Pack
5	1	3EL1438	Adapter, Hose 90° 1/4" MPT x 3/8" HB
6	35 FT	1006	Hose, EPDM Rubber 3/8" 300 PSI
7	2	6806052	Hose Clamp, 1/2" - 29/32" SS
8	1	22251311375NYB	Body, Nozzle Elbow 3/8" QJ300
9	1	-----*	Nozzle Tip
10	1	-----*	Strainer, Tip Poly Body SS Screen
11	1	3M14	Nipple, Pipe 1/4" MPT Poly
12	2	QJNH112**	Clamp, Half Only QJ Nozzle For 1-1/2" Pipe SS
13	1	H14*1S**	Bolt, Hex 1/4-20 x 1" SS
14	1	FN14S**	Nut, Flange 1/4-20 SS

* Nozzle and strainer types and sizes vary based on application, see Owner's Manual for details.

** Replace with AA11134 on MX30 or BF30M, QJ111SQ114SS on HX30, BF30H, HX40, and BF40H.