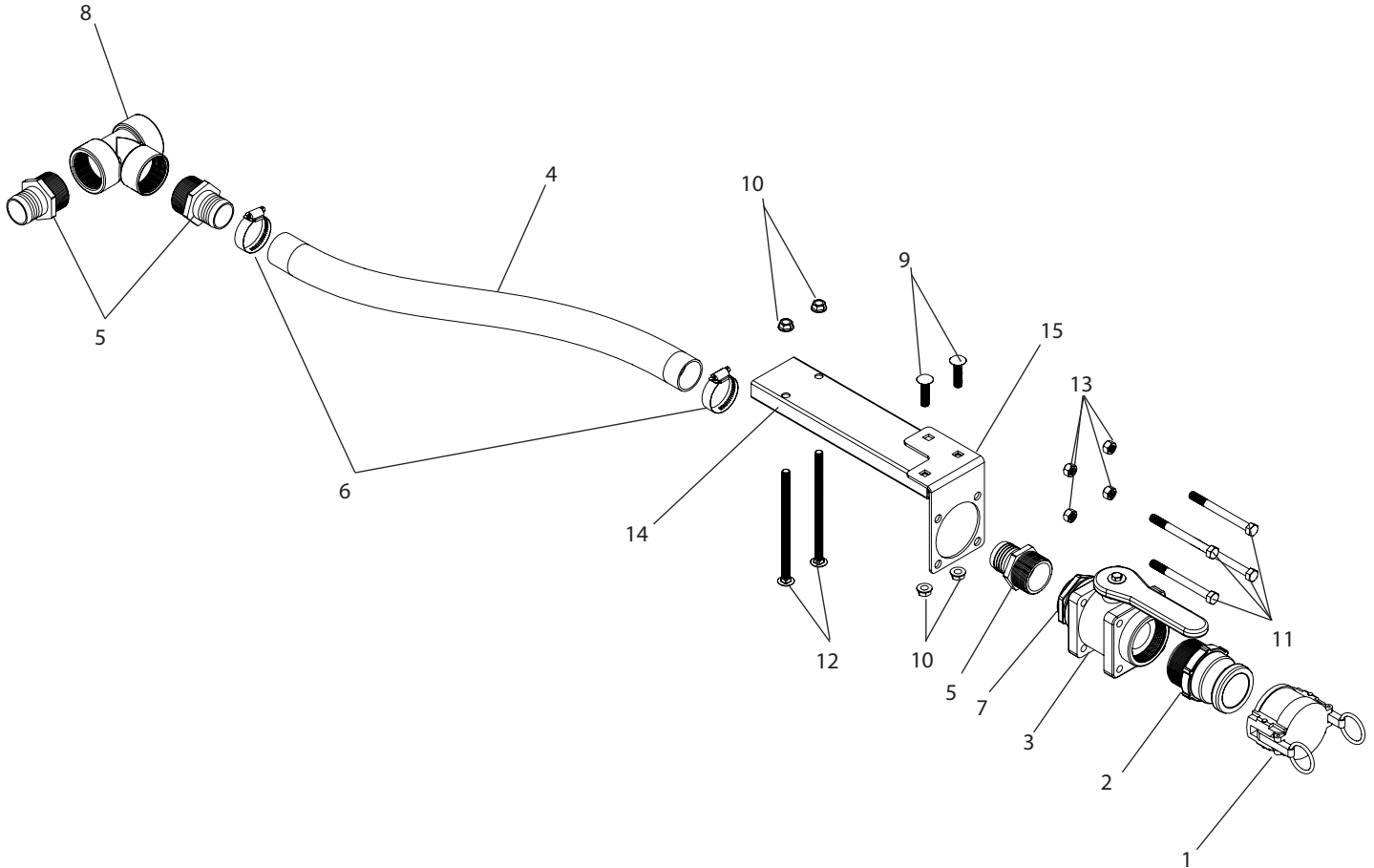


A208 Breakdown

2" Quick Fill Plumbed into Suction Line



Ref#	Qty.	Part Number	Description
1	1	200DCS	Dust Cap, 2" Male Coupler
2	1	200F	Coupler, 2" Male w/2" MPT
3	1	200STD	Valve, Ball Bolted 2" standard port
4	5	3112	Hose, Suction EPDM Blend 1-1/2" 60 PSI
5	3	3A112	Adapter, Hose 1-1/2" MPT x 1-1/2" HB
6	2	6824052	Hose Clamp, 1" - 2" SS
7	1	8RB200112	Bushing, Reducer 2" MPT x 1-1/2" FPT Sch 80 Poly
8	1	8TT112	Tee, 1-1/2" FPT Sch 80 Poly
9	2	CB38*112G5	Bolt, Carriage 3/8-16 x 1-1/2" Gr 5
10	4	FN38	Nut, Flange 3/8-16
11	4	H38*4S	Bolt, Hex 3/8-16 x 4" SS
12	2	CB38*612G5	Bolt, Carriage 3/8-16 x 6-1/2" Gr 5
13	4	NC38S	Nut, Hex 3/8-16 SS
14	1	T822	Quick fill bracket extension
15	1	VMT	Mounting plate, for quick fill ball valve