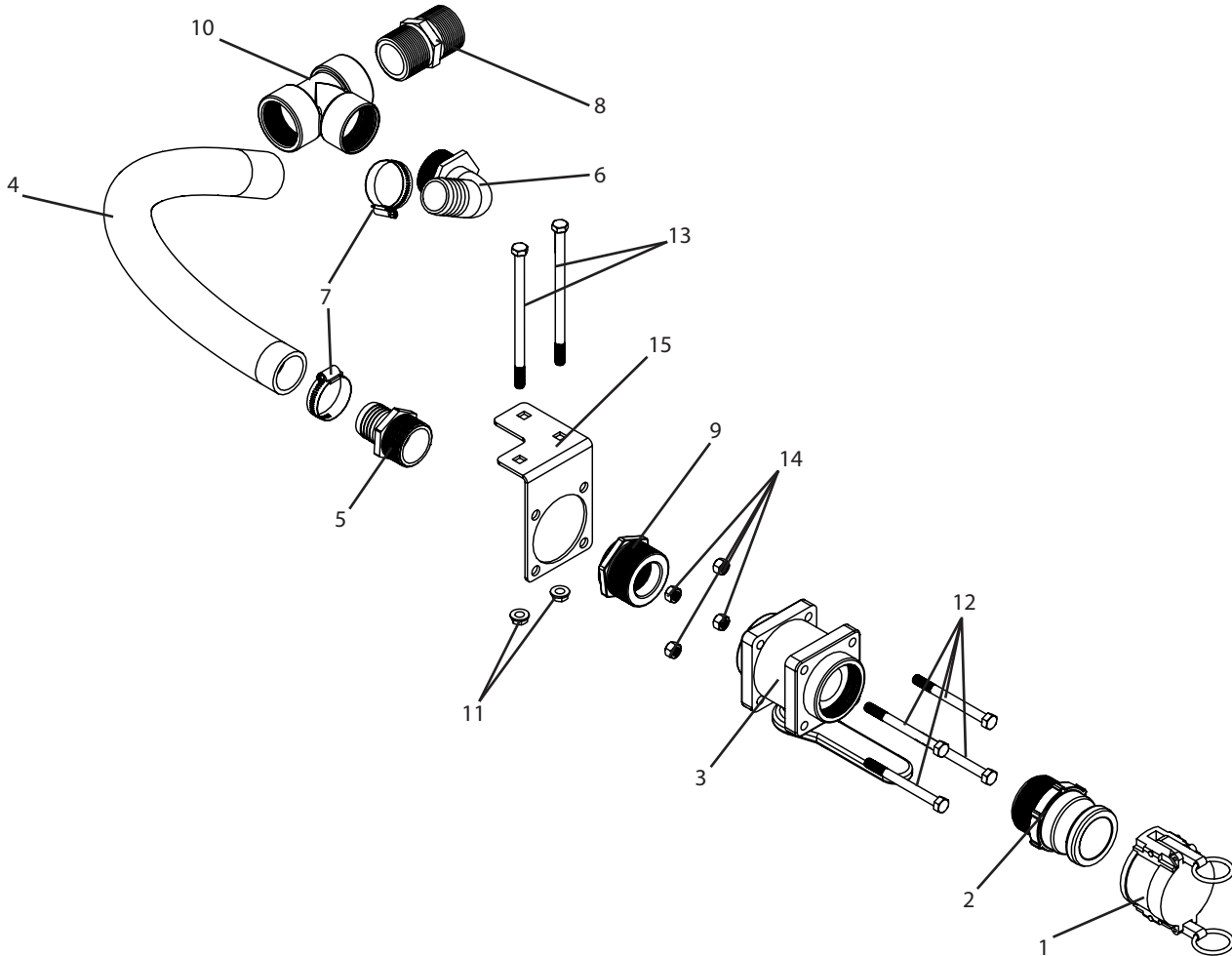


A235 Breakdown

2" quick fill plumbed into suction line, TR1000



Ref#	Qty.	Part Number	Description
1	1	200DCS	Dust Cap, 2" Male Coupler
2	1	200F	Coupler, 2" Male w/2" MPT
3	1	200STD	Valve, Ball Bolted 2" standard port
4	5	3112	Hose, Suction EPDM Blend 1-1/2" 60 PSI
5	1	3A112	Adapter, Hose 1-1/2" MPT x 1-1/2" HB
6	1	3EL112	Elbow, Hose 90° 1-1/2" MPT x 1-1/2" Barb
7	2	6824052	Hose Clamp, 1" - 2" SS
8	1	8M112	Nipple, 1-1/2" MPT x Close Sch 80 Poly
9	1	8RB200112	Bushing, Reducer 2" MPT x 1-1/2" FPT Sch 80 Poly
10	1	8TT112	Tee, 1-1/2" FPT Sch 80 Poly
11	2	FN38	Nut, Flange 3/8-16
12	4	H38*4S	Bolt, Hex 3/8-16 x 4" SS
13	2	H5C38*612	Bolt, Hex 3/8-16 x 6-1/2" Gr 5
14	4	NC38S	Nut, Hex 3/8-16 SS
15	1	VMT	Mounting plate, for quick fill ball valve