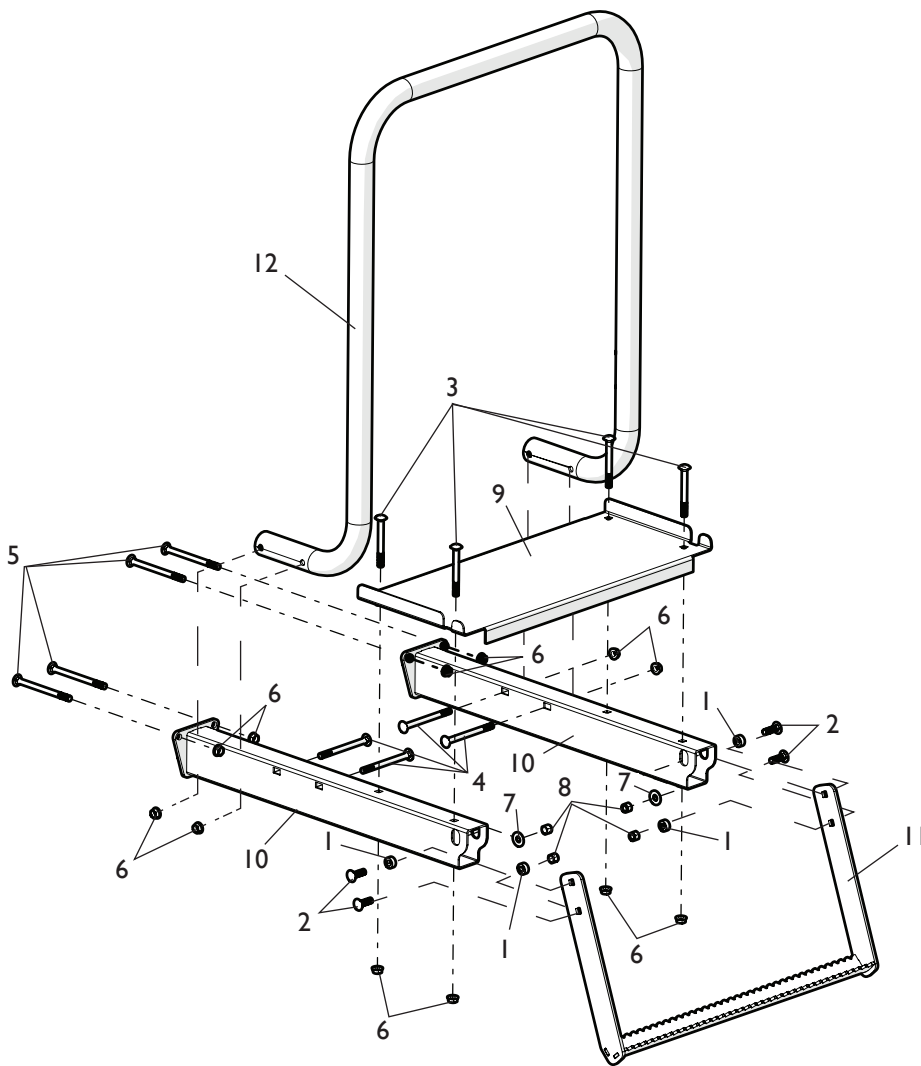


# CROPCARE

Equipment Built For You

## A238 Breakdown



Item	Qty.	Part Number	Description
1	4	0375P	Collar Shaft, 3/8"
2	4	CB38*114G5	Carriage bolt, 3/8-16 x 1 1/4", grade 5
3	4	CB38*312G5	Carriage bolt, 3/8-16 x 3 1/2", grade 5
4	4	CB38*412G5	Carriage bolt, 3/8-16 x 4 1/2", grade 5
5	4	CB38*5G5	Carriage bolt, 3/8-16 x 5", grade 5
6	12	FN38	Nut Flange, 3/8-16
7	2	FW38	Flat washer, 3/8"
8	4	SNC38	Steel lock nut, 3/8-16
9	1	T587	3PT platform, traction tread
10	2	T588	3PT platform mounting tube
11	1	T590	3PT platform step
12	1	T591	Handrail, for 3PT step