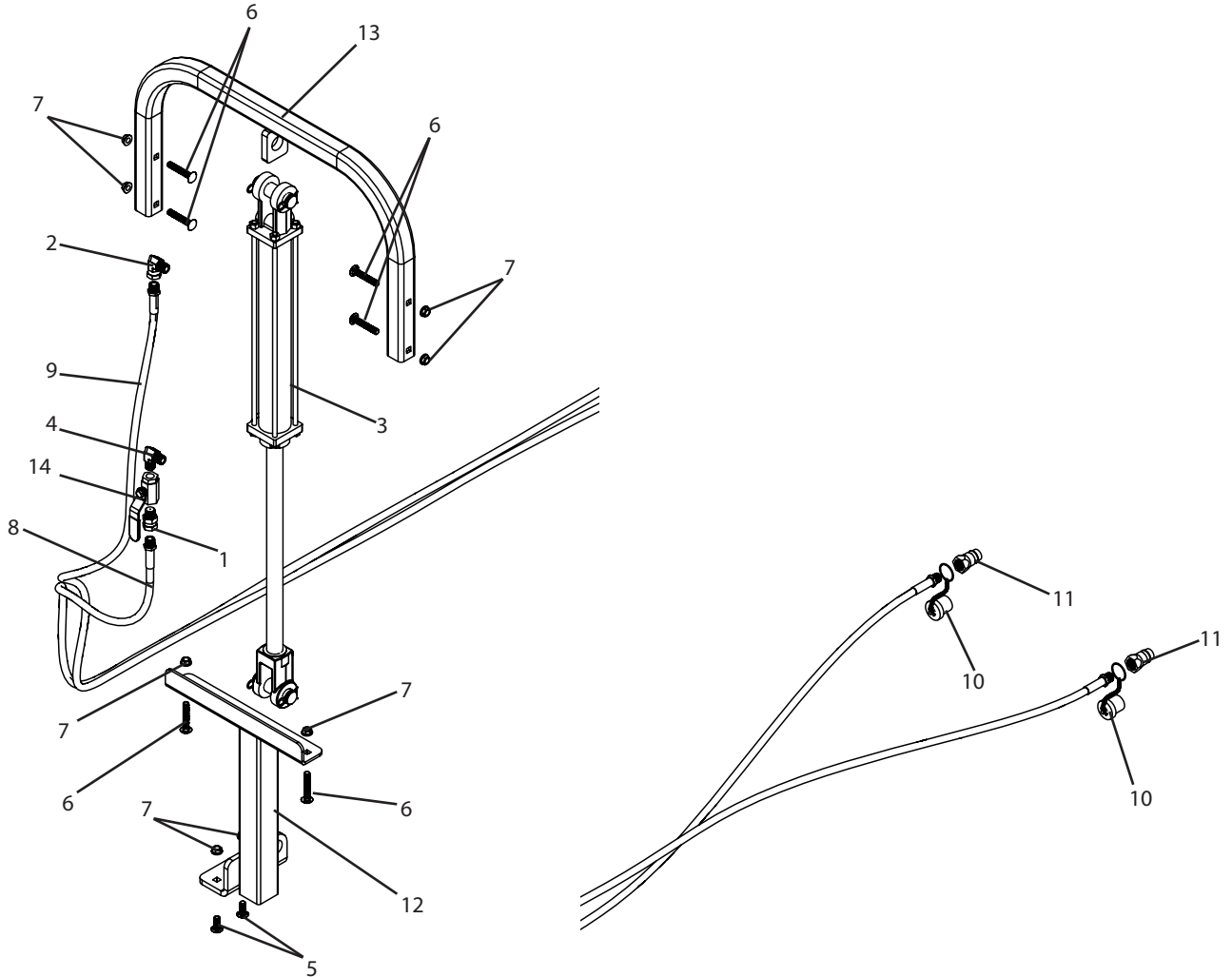


## A239 Breakdown

### Hydraulic lift kit for BF30HB and BF40HB



Ref#	Qty.	Part Number	Description
1	1	1404R-06-06-.032	Restrictor, Hyd 0.032 Orifice 3/8" MPT x 3/8" FPT Swivel
2	1	1501-06-06	Elbow, Hyd. 90° 3/8" MPT x 3/8" FPT Swivel
3	1	20TX18	Cylinder, Hyd Black 2" Bore x 18" Stroke
4	1	1315031	Elbow, Hyd 90° 3/8" MPT x 3/8" MPT
5	2	CB38*1G5	Bolt, Carriage 3/8-16 x 1" Gr 5
6	6	CB38*214G5	Bolt, Carriage 3/8-16 x 2-1/4" Gr 5
7	8	FN38	Nut, Flange 3/8-16
8	1	HH1414-2 *	14' Hose OAL, 1/4" w/ HY04-08MP & HY04-06MP ends
9	1	HH1416-2 *	16' Hose OAL, 1/4" W/HY04-08MP & HY04-06MP Ends
10	2	S49-4	Cap, Dust Hyd 1/2" Fits S20-S40-S70
11	2	S71-4	Tip, Hyd Male 1/2" FPT Fits S20-S40-S70
12	1	T585	Adapter, Winch Plate BF30H & BF40H
13	1	T586	Mount, Cylinder Hyd Height Adjustment BF30H & BF40H
14	1	XV500CS-6	Valve, Ball Carbon Steel 3/8" 2000 PSI Clear Coated

\*For use on 200-400 gallon trailers, 150-300 gallon 3PT sprayers use HH1413-2 and HH1414-2 instead.