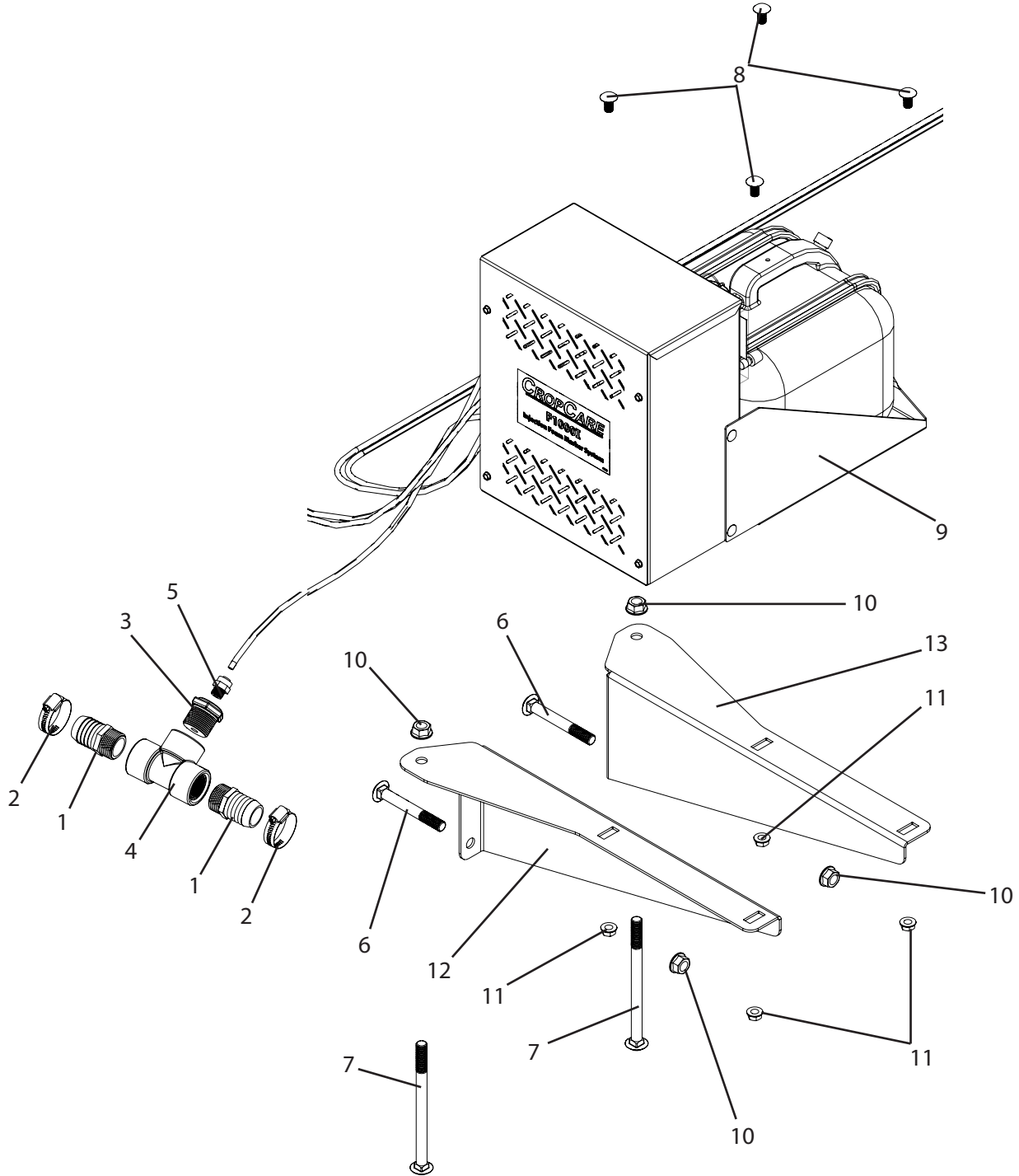


## A240 Breakdown

### Injection foam marker kit for TR1000



## A240 Breakdown

### Injection foam marker kit for TR1000

Ref#	Qty.	Part Number	Description
1	2	3A100114 *	Fitting, Hose 1" MPT x 1-1/4" HB
2	2	6820052 *	Hose Clamp, 13/16" - 1-3/4" SS
3	1	8RB10014	Bushing, Reducer 1" MPT x 1/4" FPT Sch 80 Poly
4	1	8TT100 *	Tee, 1" FPT Sch 80 Poly
5	1	A4MC4	Adapter, TrueSeal 1/4" MPT x 1/4" Tube
6	2	CB12*4G5	Bolt, Carriage 1/2-13 x 4" Gr 5
7	2	CB12*7G5	Bolt, Carriage 1/2-13 x 7" Gr 5
8	4	CB38*34G5	Bolt, Carriage 3/8-16 x 3/4" Gr 5
9	1	F1000I **	Foam Marker, Injection System 2.5 Gallon Capacity
10	4	FN12	Nut, Flange 1/2-13
11	4	FN38	Nut, Flange 3/8-16
12	1	T936	Foam injector mount, left, 1000 gallon trailer
13	1	T937	Foam injector mount, right, 1000 gallon trailer

\* Parts are not used when there is a powerwash kit .

\*\* Has component parts breakdown available.