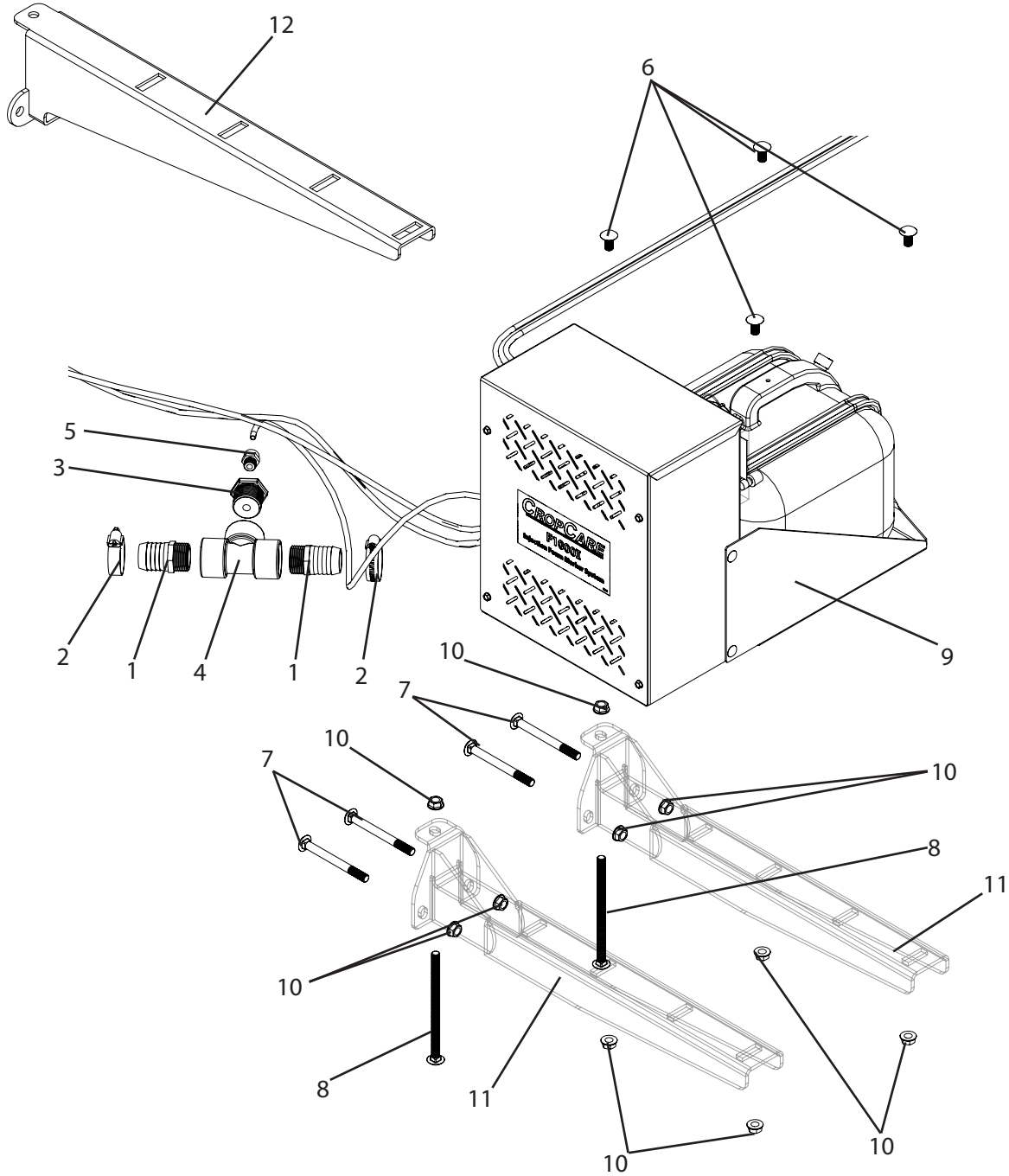


A241 Breakdown

Injection foam marker kit for TR520 or TR760



A241 Breakdown

Injection foam marker kit for TR520 or TR760

Ref#	Qty.	Part Number	Description
1	2	3A100114	Fitting, Hose 1" MPT x 1-1/4" HB
2	2	6820052	Hose Clamp, 13/16" - 1-3/4" SS
3	1	8RB10014	Bushing, Reducer 1" MPT x 1/4" FPT Sch 80 Poly
4	1	8TT100	Tee, 1" FPT Sch 80 Poly
5	1	A4MC4	Adapter, TrueSeal 1/4" MPT x 1/4" Tube
6	4	CB38*34G5	Bolt, Carriage 3/8-16 x 3/4" Gr 5
7	4	CB38*4G5	Bolt, Carriage 3/8-16 x 4" Gr 5
8	2	CB38*6G5	Bolt, Carriage 3/8-16 x 6" Gr 5
9	1	F1000I *	Foam Marker, Injection System 2.5 Gallon Capacity
10	10	FN38	Nut, Flange 3/8-16
11	2	T881	Mounting bracket, foam marker
12	2	T819 **	Foamer mounting bracket

* Has component parts breakdowns available.

** Used in place of T881 in some instances.