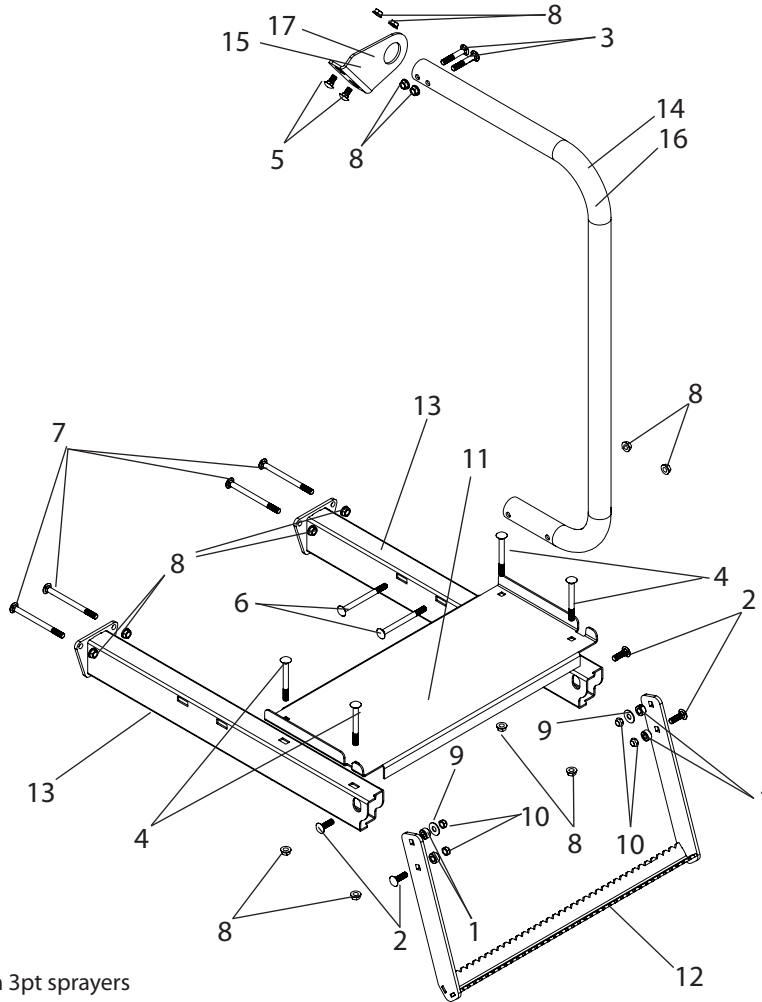


## A244 Breakdown

### Side step kit for 300/400 gallon 3 points



\*Used on 400 gallon 3pt sprayers

Ref#	Qty.	Part Number	Description
1	4	0375P	Shaft Collar, 3/8"
2	4	CB38*114G5	Bolt, Carriage 3/8-16 x 1-1/4" Gr 5
3	2	CB38*214G5	Bolt, Carriage 3/8-16 x 2-1/4" Gr 5
4	4	CB38*312G5	Bolt, Carriage 3/8-16 x 3-1/2" Gr 5
5	2	CB38*34G5	Bolt, Carriage 3/8-16 x 3/4" Gr 5
6	2	CB38*412G5	Bolt, Carriage 3/8-16 x 4 1/2" Gr 5
7	4	CB38*5G5	Bolt, Carriage 3/8-16 x 5" Gr 5
8	14	FN38	Nut, Flange 3/8-16
9	2	FW38	Washer, Flat 3/8"
10	4	SNC38	Nut, Lock Steel 3/8-16
11	1	T587	3PT platform, traction tread
12	1	T590	3PT platform step
13	2	T604	3PT platform tube weldment
14	1	T636	Handrail, 300 gallon 3PTH step
15	1	T637	Handrail mount, 300 gallon 3PTH
16	1	T638 *	Handrail, 400 gallon 3PTH step
17	1	T639 *	Handrail mount, 400 gallon 3PTH