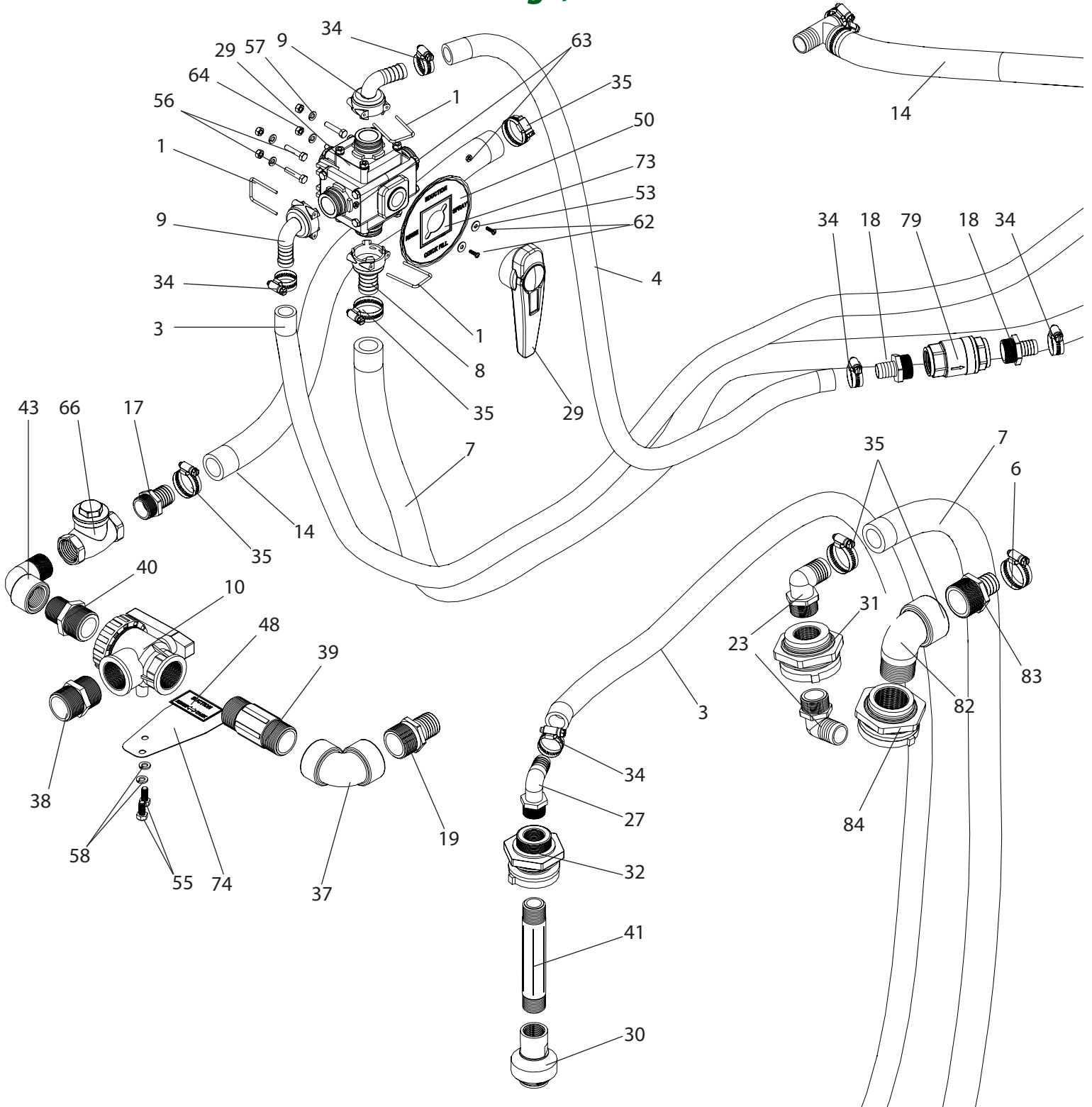


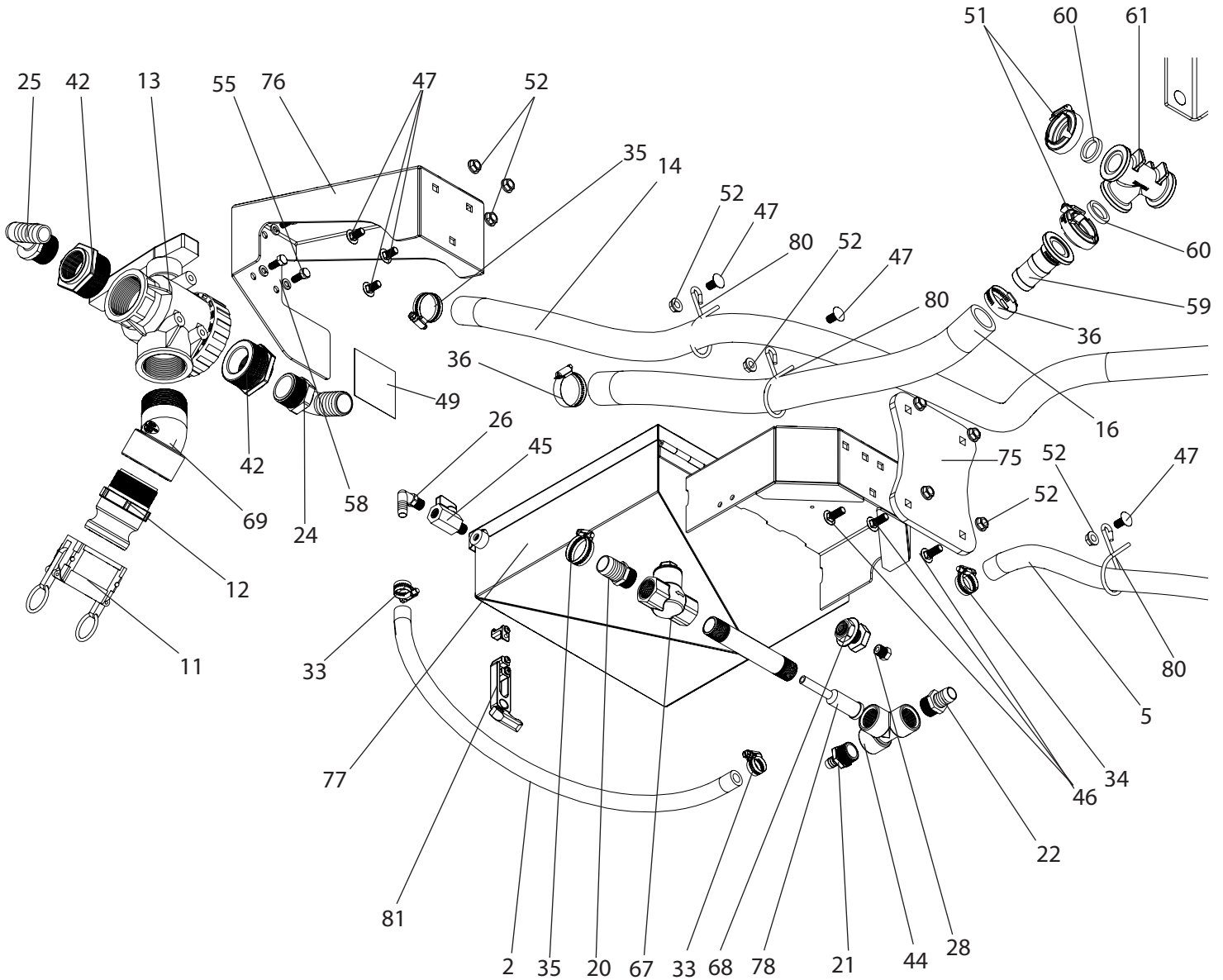
## A250 Breakdown

### Low Pressure Convenience Package, small trailer



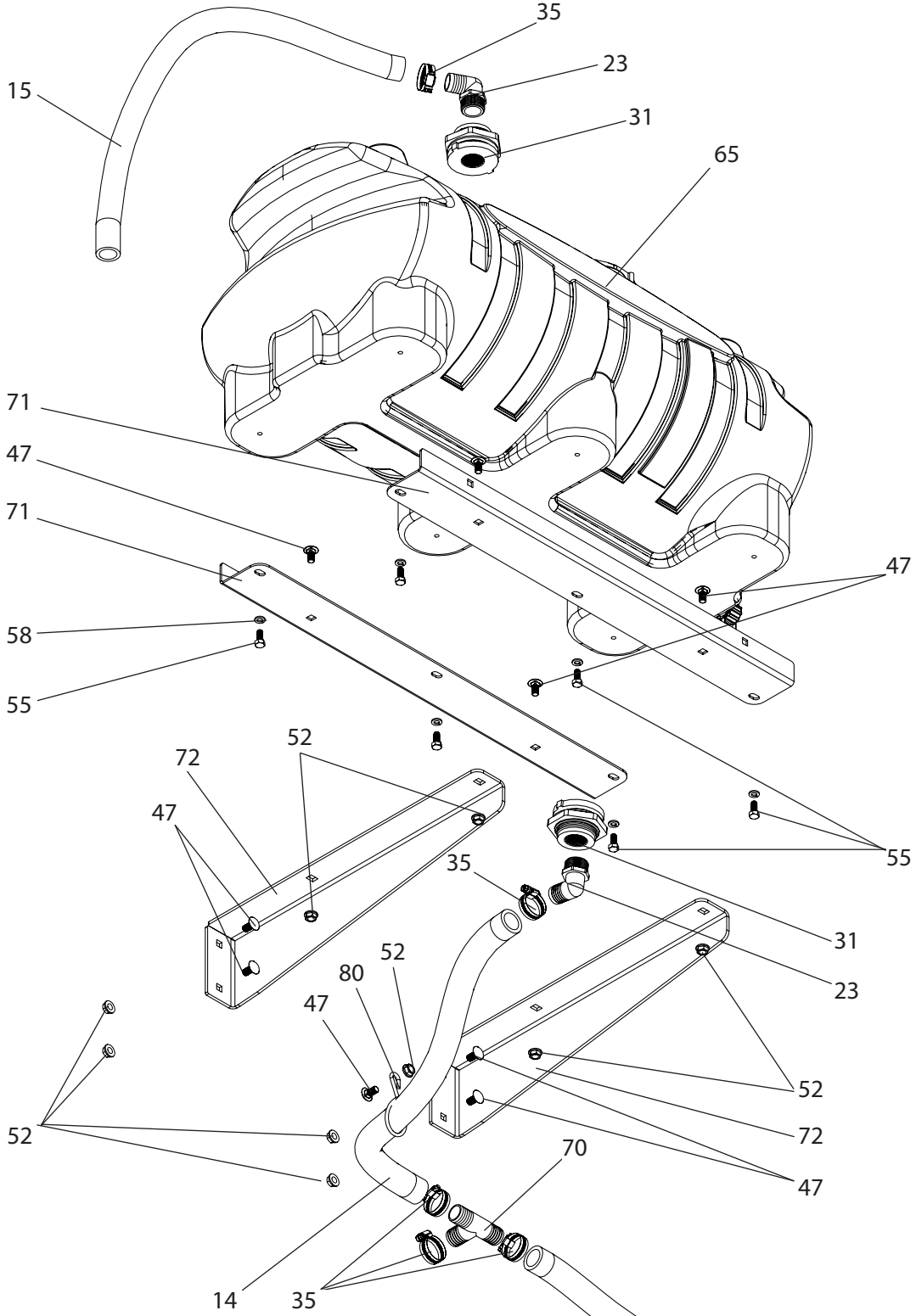
## A250 Breakdown

### Low Pressure Convenience Package, small trailer



## A250 Breakdown

### Low Pressure Convenience Package, small trailer



## A250 Breakdown

### Low Pressure Convenience Package, small trailer

| Ref# | Qty. | Part Number      | Description   |
|------|------|------------------|---|
| 1    | 3    | 010004           | Connector, T4 Fork                                      |
| 2    | 2.5  | 1008             | Hose, EPDM Rubber 1/2" 300 PSI                          |
| 3    | 17   | 1012             | Hose, EPDM Rubber 3/4" 300 PSI                          |
| 4    | 5    | 1012             | Hose, EPDM Rubber 3/4" 300 PSI                          |
| 5    | 1.5  | 1012             | Hose, EPDM Rubber 3/4" 300 PSI                          |
| 6    | 10   | 1016             | Hose, EPDM Rubber 1" 300 PSI                            |
| 7    | 15   | 1016             | Hose, EPDM Rubber 1" 300 PSI                            |
| 8    | 1    | 1090425          | Fitting, T4 Female QC x 1" HB                           |
| 9    | 2    | 1190420          | Elbow, T4 Female QC x 3/4" 90° HB                       |
| 10   | 1    | 125SUBV3         | Valve, Ball 3-Way Union 1-1/4" FPT                      |
| 11   | 1    | 200DCS           | Dust Cap, 2" Male Coupler                               |
| 12   | 1    | 200F             | Coupler, 2" Male w/2" MPT                               |
| 13   | 1    | 200SUBV3         | Valve, Ball 3-Way Union 2" FPT                          |
| 14   | 10   | 3110             | Hose, Suction EPDM Blend 1" 80 PSI                      |
| 15   | 3    | 3110             | Hose, Suction EPDM Blend 1" 80 PSI                      |
| 16   | 3    | 3111             | Hose, Suction EPDM Blend 1-1/4" 70 PSI                  |
| 17   | 1    | 3A100            | Adapter, Hose 1" MPT x 1" HB                            |
| 18   | 2    | 3A10034          | Fitting, Hose 1" MPT x 3/4" HB                          |
| 19   | 1    | 3A114            | Fitting, Hose 1-1/4" MPT x 1-1/4" HB                    |
| 20   | 1    | 3A34100          | Fitting, Hose 3/4" MPT x 1" HB                          |
| 21   | 1    | 3A3412           | Fitting, Hose 3/4" MPT x 1/2" HB                        |
| 22   | 1    | 3A3434           | Fitting, Hose 3/4" MPT x 3/4" HB                        |
| 23   | 3    | 3EL100           | Adapter, Hose Ell 1" MPT x 1" HB                        |
| 24   | 1    | 3EL114           | Elbow, Hose 90° 1-1/4" MPT x 1-1/4" Barb                |
| 25   | 1    | 3EL114100        | Adapter, Hose 90° 1-1/4" MPT x 1" HB                    |
| 26   | 1    | 3EL1412          | Elbow, Hose 90° 1/4" MPT x 1/2" HB                      |
| 27   | 1    | 3EL3434          | Adapter, Hose 90° 3/4" MPT x 3/4" HB                    |
| 28   | 1    | 3F14             | Plug, 1/4" MPT Poly                                     |
| 29   | 1    | 453053544        | Valve, 5-Way T4 x 3/4" FP 230 PSI                       |
| 30   | 1    | 55270-3/4-18-POM | Nozzle, Tank Rinse 3/4" FPT Black                       |
| 31   | 3    | 60427            | Fitting, Bulkhead 1" FPT Dbl Tap (Requires 2-1/4" Hole) |
| 32   | 1    | 62798            | Fitting, Tank 3/4" FPT Dbl Tap (Requires 1-5/8" Hole)   |
| 33   | 2    | 6806052          | Hose Clamp, 1/2" - 19/32" SS                            |
| 34   | 6    | 6812052          | Hose Clamp, 11/16" - 1-1/4" SS                          |
| 35   | 12   | 6816052          | Hose Clamp, 13/16" - 1-1/2" SS                          |
| 36   | 2    | 6820052          | Hose Clamp, 13/16" - 1-3/4" SS                          |
| 37   | 1    | 8LL114           | Elbow, Pipe 90° 1-1/4" FPT Sch 80 Poly                  |
| 38   | 1    | 8M114            | Nipple, 1-1/4" MPT x Close Sch 80 Poly                  |
| 39   | 1    | 8M114*4          | Nipple, 1-1/4" MPT x 4" Sch 80 Poly                     |
| 40   | 1    | 8M1141           | Nipple, Reducer 1-1/4" MPT x 1" MPT Sch 80 Poly         |
| 41   | 1    | 8M34*6           | Nipple, 3/4" MPT x 6" Sch 80 Poly                       |
| 42   | 2    | 8RB200114        | Bushing, Reducer 2" MPT x 1-1/4" FPT Sch 80 Poly        |
| 43   | 1    | 8SE100           | Elbow, Street 90° 1" NPT Sch 80 Poly                    |
| 44   | 1    | 8TT34            | Tee, Poly 3/4" FPT Sch 80                               |

## A250 Breakdown

### Low Pressure Convenience Package, small trailer

| Ref# | Qty. | Part Number | Description   |
|------|------|-------------|---|
| 45   | 1    | 90FMB14     | Valve, Ball 1/4" FPT x 1/4" MPT 300 PSI                             |
| 46   | 4    | CB38*1G5    | Bolt, Carriage 3/8-16 x 1" Gr 5                                     |
| 47   | 15   | CB38*34G5   | Bolt, Carriage 3/8-16 x 3/4" Gr 5                                   |
| 48   | 1    | DE102       | Decal, Suction Valve Trailer  |
| 49   | 1    | DE106       | Decal, Quick Fill Valve   |
| 50   | 1    | DE121       | Decal, Valve 5 Way T4   |
| 51   | 2    | FC100       | Clamp, Flange 1" Std SS   |
| 52   | 19   | FN38        | Nut, Flange 3/8-16  |
| 53   | 2    | FW10        | Washer, Flat #10  |
| 55   | 11   | H5C516*34   | Bolt, Hex 5/16-18 x 3/4" Gr 5                                       |
| 56   | 4    | H6*20M      | Bolt, Hex Metric 6mm x 20mm 1.0 Pitch                               |
| 57   | 4    | LW14        | Washer, Lock 1/4"   |
| 58   | 11   | LW516       | Washer, Lock 5/16"  |
| 59   | 1    | M100125BRB  | Fitting, Flange 1-1/4" HB x 1" Flange                               |
| 60   | 2    | M100G       | Gasket, Manifold EDPM 1"  |
| 61   | 1    | M100TEE     | Tee, Flange 1" Tee  |
| 62   | 2    | MR632*12    | Screw, Machine 6-32 x 1/2"  |
| 63   | 2    | NC632       | Nut, Hex #6-32  |
| 64   | 4    | NC6M        | Nut, Hex 6mm x 1.0 Pitch  |
| 65   | 1    | SB25YP-DR   | Tank, 25 Gal Yellow Poly w/Lid Lanyard Outlet Cap Gasket and Tether |
| 66   | 1    | SCV1S       | Valve, Check Swing 1" FPT 200 PSI SS                                |
| 67   | 1    | SCV34S      | Valve, Swing Check 3/4" FPT 200 PSI SS                              |
| 68   | 1    | SKU28315    | Fitting, Bulkhead Brass 1/4" NPT Female to Male                     |
| 69   | 1    | SL200-45    | Elbow, Street 45° 2" Poly   |
| 70   | 1    | T100        | Tee, 1" HB Nylon  |
| 71   | 2    | T231        | ATV Tank Mount  |
| 72   | 2    | T479        | Rinse Tank Bracket  |
| 73   | 1    | T489        | Mount plate for 5-way valve decal, low pressure                     |
| 74   | 1    | T493        | Suction Valve, Decal Plate  |
| 75   | 1    | T494        | Eduction Mount, TR400   |
| 76   | 1    | T495        | Quick fill valve mount  |
| 77   | 1    | T852        | Chemical eduction tank, 1 1/4" MPT, stainless                       |
| 78   | 1    | T894        | Eduction Jet, 9/32" Orifice   |
| 79   | 1    | T873        | Valve, Check 1" FPT SS/Viton 10 PSI                                 |
| 80   | 4    | T880        | Clip, Single Wire Hose 1-7/8" ID x 3/8" Bolt Hole                   |
| 81   | 1    | WJ215       | Latch, Rubber Draw w/Screws   |
| 82   | 1    | 8SE114      | Elbow, Street 90° 1-1/4" NPT Sch 80 Poly                            |
| 83   | 1    | 3A114100    | Adapter, Hose 1-1/4" MPT x 1" Barb                                  |
| 84   | 1    | 60403       | Fitting, Bulkhead 1-1/4" FPT Dbl Tap (Requires 2-1/4" Hole)         |