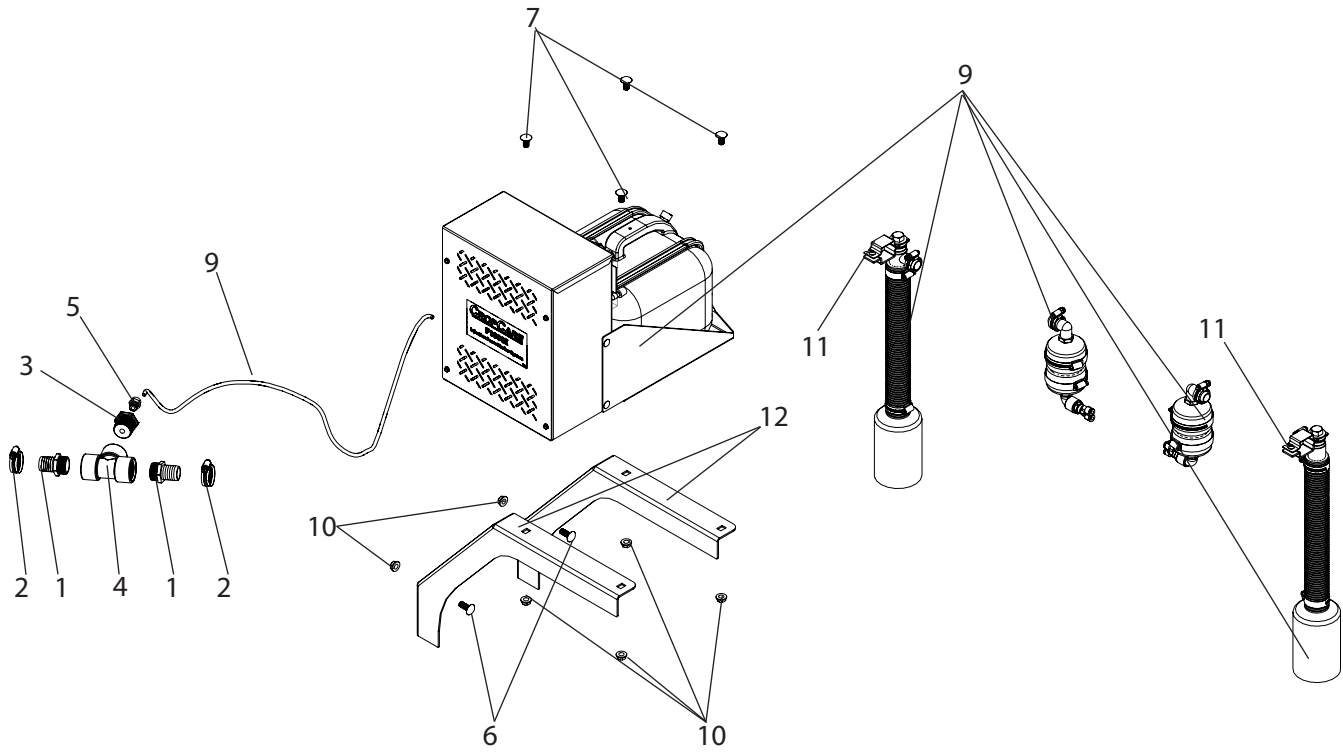


A254 Breakdown

Foam injection marker system for small trailers



Ref#	Qty.	Part Number	Description
1	2	3A100	Adapter, Hose 1" MPT x 1" HB
2	2	6816052	Hose Clamp, 13/16" - 1-1/2" SS
3	1	8RB10014	Bushing, Reducer 1" MPT x 1/4" FPT Sch 80 Poly
4	1	8TT100	Tee, 1" FPT Sch 80 Poly
5	1	A4MC4	Adapter, TrueSeal 1/4" MPT x 1/4" Tube
6	4	CB38*1G5	Bolt, Carriage 3/8-16 x 1" Gr 5
7	4	CB38*34G5	Bolt, Carriage 3/8-16 x 3/4" Gr 5
8	15	DC784	Loom, Flex-Gard 3/8"
9	1	F1000I	Injection Foam Marker System, 2.5 gallon Capacity
10	8	FN38	Nut, Flange 3/8-16
11	2	QJ1115SQ114 *	Clamp, Nozzle Body 1-1/4" Sq Tube Steel
	2	AA11134 **	Clamp, Round 3/4" Pipe
12	2	T478	Foam Injector/Marker bracket

* Required for HX30A and HX40A

** Required for MX30A