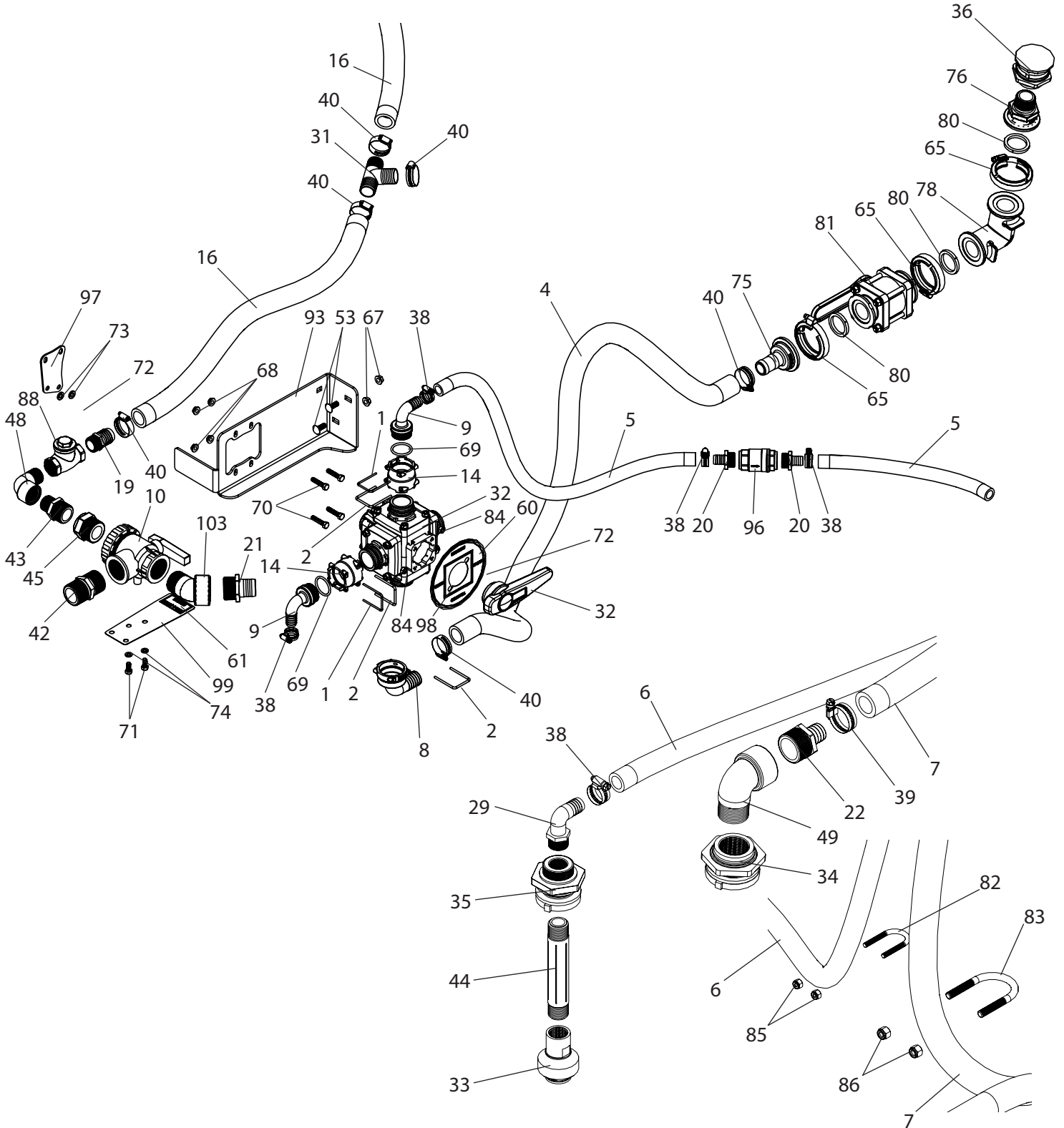


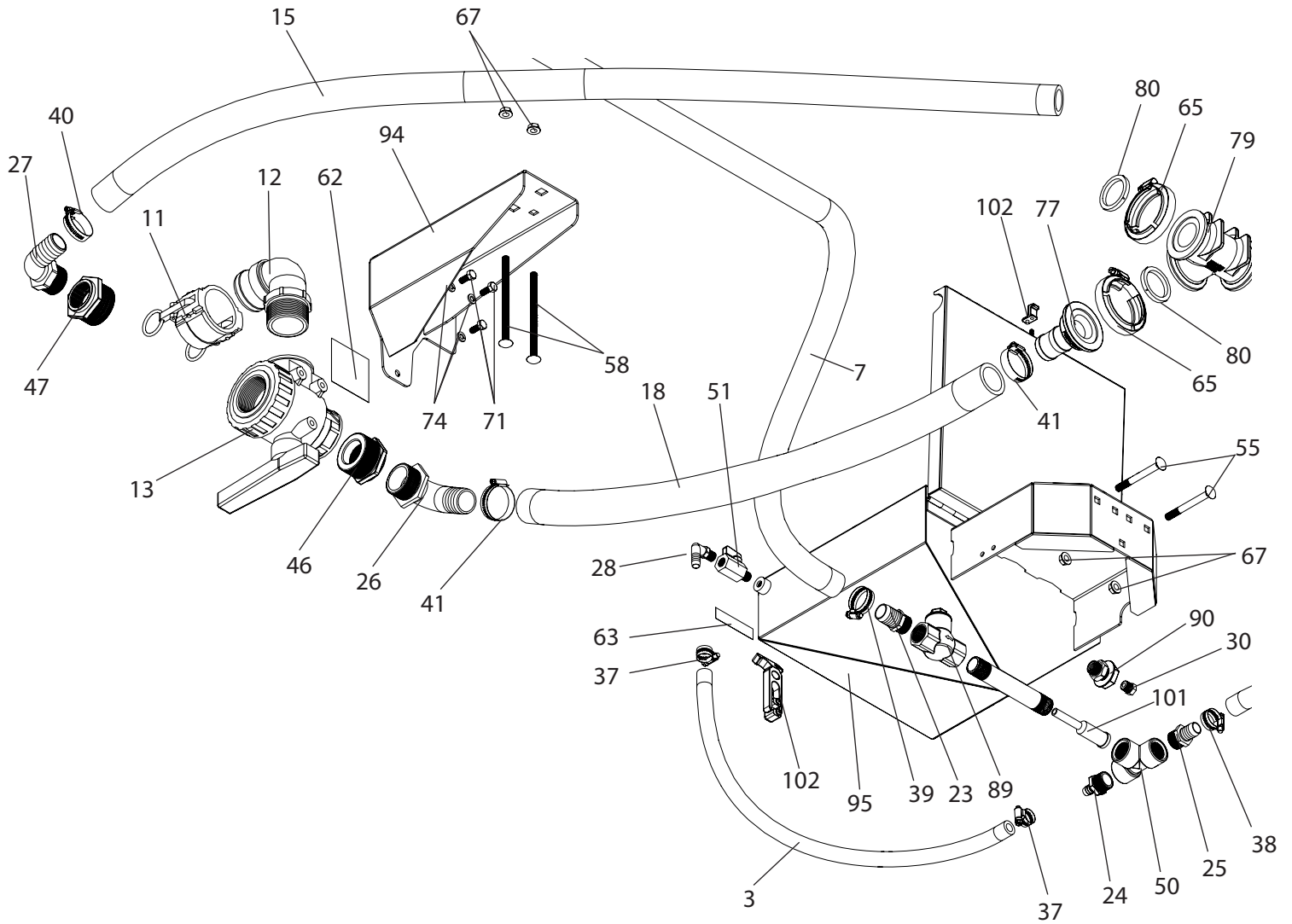
## A301 Breakdown

### Convenience Package, TR525



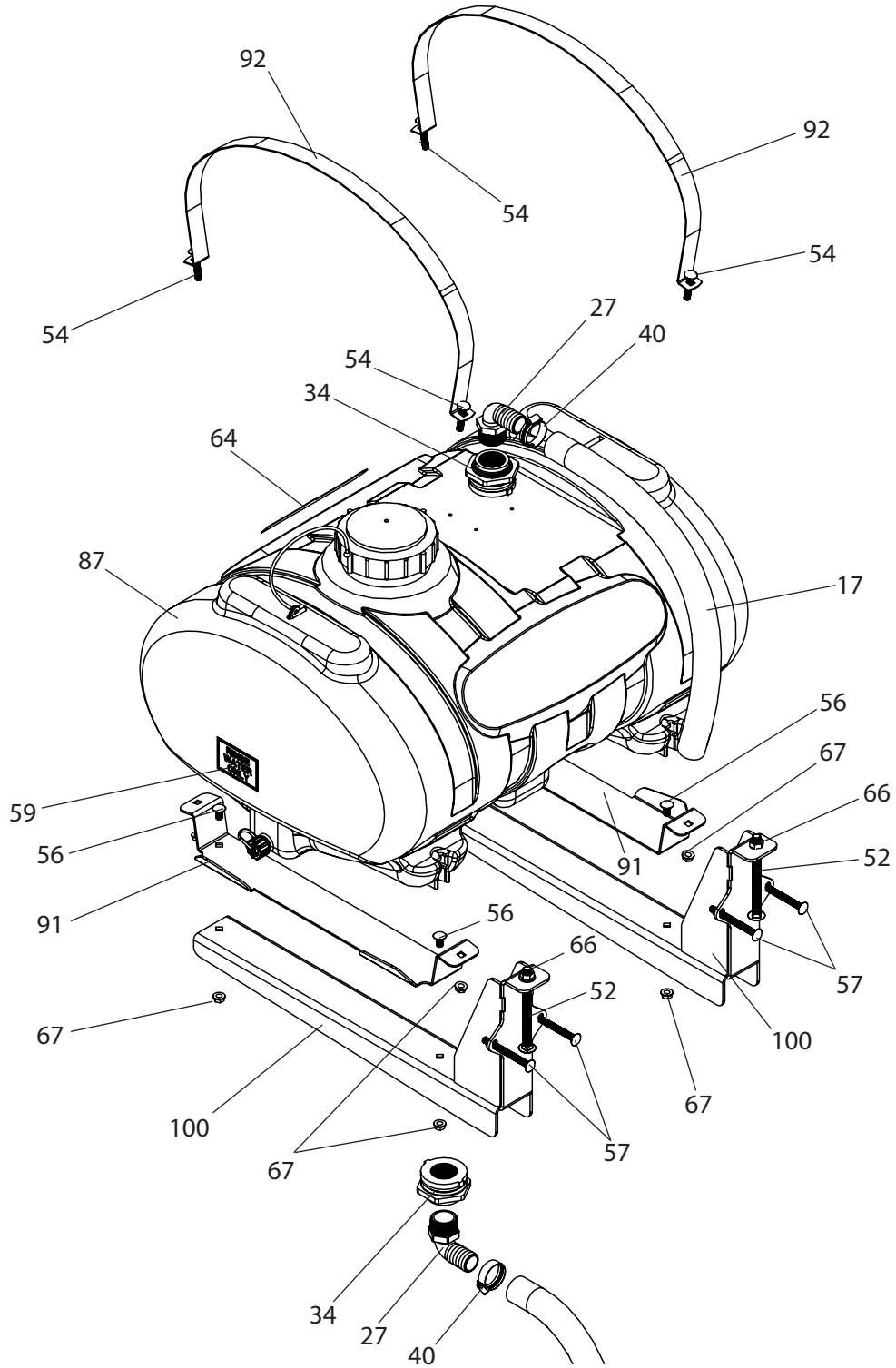
## A301 Breakdown

### Convenience Package, TR525



## A301 Breakdown

### Convenience Package, TR525



## A301 Breakdown

### Convenience Package, TR525

Ref#	Qty.	Part Number	Description
1	2	010005	Connector, Fork T5 QC
2	3	010006	Fork, Retaining T6
3	2.5 FT	1008	Hose, EPDM Rubber 1/2" 300 PSI
4	7 FT	10104	Hose, EPDM Rubber 1-1/4" 150 PSI
5	6 FT	1012	Hose, EPDM Rubber 3/4" 300 PSI
6	21 FT	1012	Hose, EPDM Rubber 3/4" 300 PSI
7	15 FT	1016	Hose, EPDM Rubber 1" 300 PSI
8	1	1190632	Elbow, 1-1/4" HB x T6 QC
9	2	1191520	Elbow, T5 QC x 3/4" HB
10	1	150SUBV3	Valve, Ball 3-Way Union 1-1/2" FPT
11	1	200DCS	Dust Cap, 2" Male Coupler
12	1	200LF	Coupler, 2" Male w/2" MPT 90°
13	1	200SUBV3	Valve, Ball 3-Way Union 2" FPT
14	2	259056	Fitting, Reducer QC Fitting T6 to T5
15	7 FT	3111	Hose, Suction EPDM Blend 1-1/4" 70 PSI
16	6 FT	3111	Hose, Suction EPDM Blend 1-1/4" 70 PSI
17	2.5 FT	3111	Hose, Suction EPDM Blend 1-1/4" 70 PSI
18	3 FT	3112	Hose, Suction EPDM Blend 1-1/2" 60 PSI
19	1	3A100114	Fitting, Hose 1" MPT x 1-1/4" HB
20	2	3A10034	Fitting, Hose 1" MPT x 3/4" HB
21	1	3A112	Adapter, Hose 1-1/2" MPT x 1-1/2" HB
22	1	3A114100	Adapter, Hose 1-1/4" MPT x 1" Barb
23	1	3A34100	Fitting, Hose 3/4" MPT x 1" HB
24	1	3A3412	Fitting, Hose 3/4" MPT x 1/2" HB
25	1	3A3434	Fitting, Hose 3/4" MPT x 3/4" HB
26	1	3EL112	Elbow, Hose 90° 1-1/2" MPT x 1-1/2" Barb
27	3	3EL114	Elbow, Hose 90° 1-1/4" MPT x 1-1/4" Barb
28	1	3EL1412	Elbow, Hose 90° 1/4" MPT x 1/2" HB
29	1	3EL3434	Adapter, Hose 90° 3/4" MPT x 3/4" HB
30	1	3F14	Plug, 1/4" MPT Poly
31	1	3T114	Tee, Fitting 1-1/4" HB Poly
32	1	453055S66 *	Valve, 5-Way T6 Connect 1-1/4"FP 180 PSI
33	1	55270-3/4-18-POM	Nozzle, Tank Rinse 3/4" FPT Black
34	3	60403	Fitting, Bulkhead 1-1/4" FPT Dbl Tap (Requires 2-1/4" Hole)
35	1	62798	Fitting, Tank 3/4" FPT Dbl Tap (Requires 1-5/8" Hole)
36	1	63065	Fitting, Bulkhead Anti-Vortex 1-1/4" FPT (Requires 2-1/4" Hole)
37	2	6806052	Hose Clamp, 1/2" - 29/32" SS
38	6	6812052	Hose Clamp, 11/16" - 1-1/4" SS
39	2	6816052	Hose Clamp, 13/16" - 1-1/2" SS
40	9	6820052	Hose Clamp, 13/16" - 1-3/4" SS

\*Additional breakdowns available.

## A301 Breakdown

### Convenience Package, TR525

Ref#	Qty.	Part Number	Description
41	2	6824052	Hose Clamp, 1-1/16" - 2" SS
42	1	8M112	Nipple, 1-1/2" MPT x Close Sch 80 Poly
43	1	8M1141	Nipple, Reducer 1-1/4" MPT x 1" MPT Sch 80 Poly
44	1	8M34*6	Nipple, 3/4" MPT x 6" Sch 80 Poly
45	1	8RB112114	Bushing, Reducer 1-1/2" MPT x 1-1/4" FPT Sch 80 Poly
46	1	8RB200112	Bushing, Reducer 2" MPT x 1-1/2" FPT Sch 80 Poly
47	1	8RB200114	Bushing, Reducer 2" MPT x 1-1/4" FPT Sch 80 Poly
48	1	8SE100	Elbow, Street 90° 1" NPT Sch 80 Poly
49	1	8SE114	Elbow, Street 90° 1-1/4" NPT Sch 80 Poly
50	1	8TT34	Tee, Poly 3/4" FPT Sch 80
51	1	90FMB14	Valve, Ball 1/4" FPT x 1/4" MPT 300 PSI
52	2	CB12*6G5	Bolt, Carriage 1/2-13 x 6" Gr 5
53	2	CB38*1G5	Bolt, Carriage 3/8-16 x 1" Gr 5
54	4	CB38*2G5	Bolt, Carriage 3/8-16 x 2" Gr 5
55	2	CB38*312G5	Bolt, Carriage 3/8-16 x 3-1/2" Gr 5
56	4	CB38*34G5	Bolt, Carriage 3/8-16 x 3/4" Gr 5
57	4	CB38*4G5	Bolt, Carriage 3/8-16 x 4" Gr 5
58	2	CB38*6G5	Bolt, Carriage 3/8-16 x 6" Gr 5
59	1	DE100	Decal, Rinse Water Only
60	1	DE101	Decal, Main Valve
61	1	DE102	Decal, Suction Valve Trailer
62	1	DE106	Decal, Quick Fill Valve
63	1	DE112	Decal, Education Rinse
64	1	DE46	Decal, CropCare Logo 1.9" x 8.8"
65	5	FC200	Clamp, Flange 2" Std SS
66	2	FN12	Nut, Flange 1/2-13
67	18	FN38	Nut, Flange 3/8-16
68	4	FN516	Nut, Flange 5/16-18
69	2	G11063	O-Ring, EDPM T5 Quick Connect
70	4	H5C516*112	Bolt, Hex 5/16-18 x 1-1/2" Gr 5
71	5	H5C516*34	Bolt, Hex 5/16-18 x 3/4" Gr 5
72	4	H8*16M	Bolt, Hex 8mm x 16mm 1.25 Pitch Class 10.9 Zinc
73	2	LW38	Washer, Lock 3/8"
74	5	LW516	Washer, Lock 5/16"
75	1	M200125BRB	Fitting, Flange 1-1/4" HB x 2" Flange
76	1	M200125MPT	Adapter, 2" Flange x 1-1/4" MPT
77	1	M200150BRB	Fitting, Flange 1-1/2" HB x 2" Flange
78	1	M200CPG90	Coupling, 90° 2" Flange x 2" Flange
79	1	M200TEE	Tee, Flange 2" Flanged Fitting
80	5	M201G	Gasket, Manifold EPDM 2" w/Rib

\*Additional breakdowns available.

## A301 Breakdown

### Convenience Package, TR525

Ref#	Qty.	Part Number	Description
81	1	MV200CF	Valve, Ball Bolted 3 Way Side Load 2" Std Port x 2" Flange
82	1	N222083	Bolt, U-Bolt Round 1/4-20 x 1-1/8" x 2-1/4" Zinc
83	1	N222190	Bolt, U-Bolt Round 3/8-16 x 2" x 3-1/2" Zinc
84	2	NC8M	Nut, Hex 8mm x 1.25 Pitch
85	2	NNC14	Nut, Lock Nylon 1/4-20
86	2	NNC38	Nut, Lock Nylon 3/8-16
87	1	SB00040SY *	Tank, 40 Gal Blow Molded w/Lid Lanyard Outlet Cap Gasket and Tether
88	1	SCV1S	Valve, Check Swing 1" FPT 200 PSI SS
89	1	SCV34S	Valve, Swing Check 3/4" FPT 200 PSI SS
90	1	SKU28315	Fitting, Bulkhead Brass 1/4" NPT Female to Male
91	2	T722	Bracket, Mounting 40 & 60 Gallon Tanks
92	2	T723	Tank strap for 40gal DenHartog tank
93	1	T848	Plate, Valve Mount (Low Pressure)
94	1	T851	Quick fill mount bracket
95	1	T852	Chemical education tank, 1 1/4" MPT, stainless
96	1	T873	Valve, Check 1" FPT SS/Viton 10 PSI
97	1	T874	Agitation valve mount plate
98	1	T875	Mount plate for 5-way valve decal, low pressure
99	1	T882	Suction valve label plate, trailers
100	2	T884	Rinse water tank bracket, 500/750 gallon trailer
101	1	T894	Eduction Jet, 9/32" Orifice, 4 1/16" long
102	1	WJ215	Latch, Rubber Draw w/Screws
103	1	8SE11245	Elbow, Street 45° 1-1/2" NPT Sch 80 Poly

\*Additional breakdowns available.