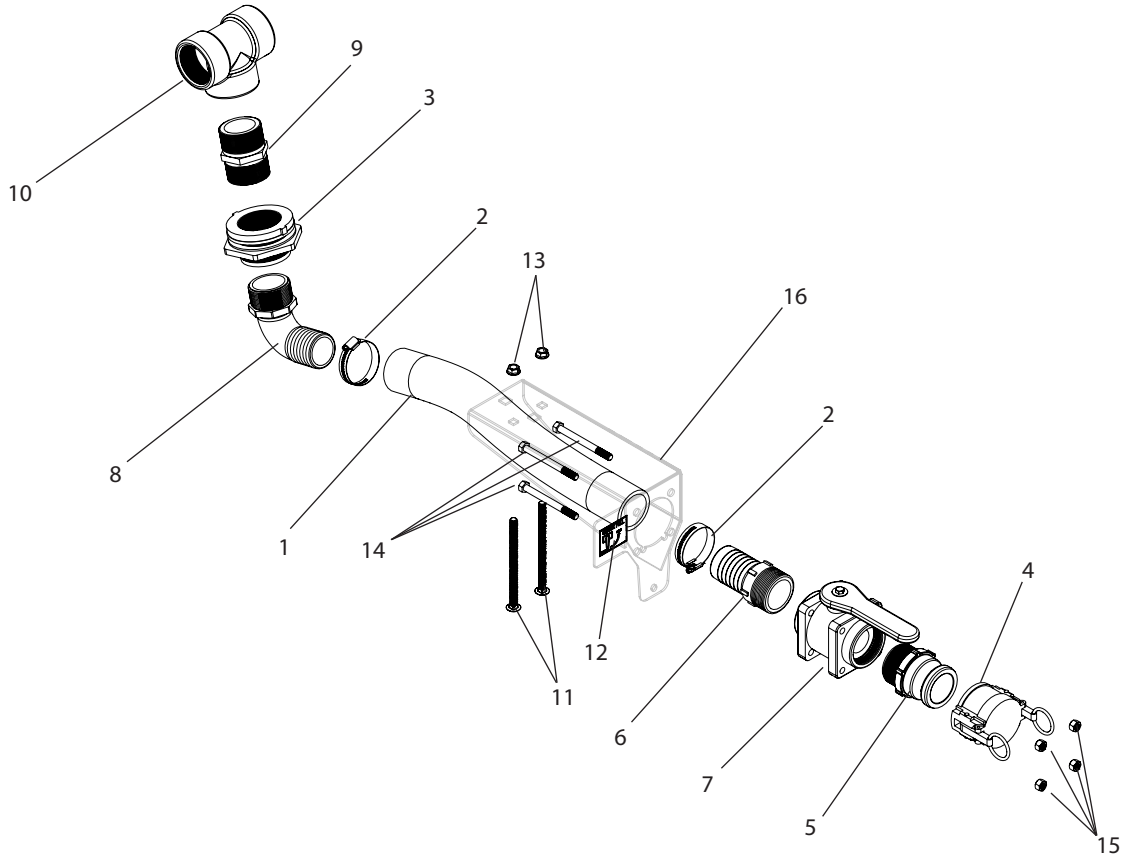


A307 Breakdown

Quick fill for TR525 & TR765, for both high pressure & low pressure



Ref#	Qty.	Part Number	Description
1	1.67 FT	3120	Hose, Suction 2" EPDM Blend 60 PSI
2	2	6832	Hose Clamp, 1-1/2" - 2-1/2" SS
3	1	60405	Fitting, Tank 2" Fitting Dbl Tap (Requires a 3" Hole)
4	1	200DCS	Dust Cap, 2" Male Coupler
5	1	200F	Coupler, 2" Male w/2" MPT
6	1	200KN	Nipple, King 2" MPT x 2" HB
7	1	200STD	Valve, Ball Bolted 2" standard port
8	1	3EL200	Adapter, Hose 90° 2" MPT x 2" HB
9	1	8M200	Nipple, 2" MPT x Close Sch 80 Poly
10	1	8TT200	Tee, 2" FPT, schedule 80 poly
11	2	CB38*6G5	Bolt, Carriage 3/8-16 x 6" Gr 5
12	1	DE118	Decal, Quick Fill Valve
13	2	FN38	Nut, Flange 3/8-16
14	4	H38*4S	Bolt, Hex 3/8-16 x 4" SS
15	4	NC38S	Nut, Hex 3/8-16 SS
16	1	T851	Quick fill mount bracket