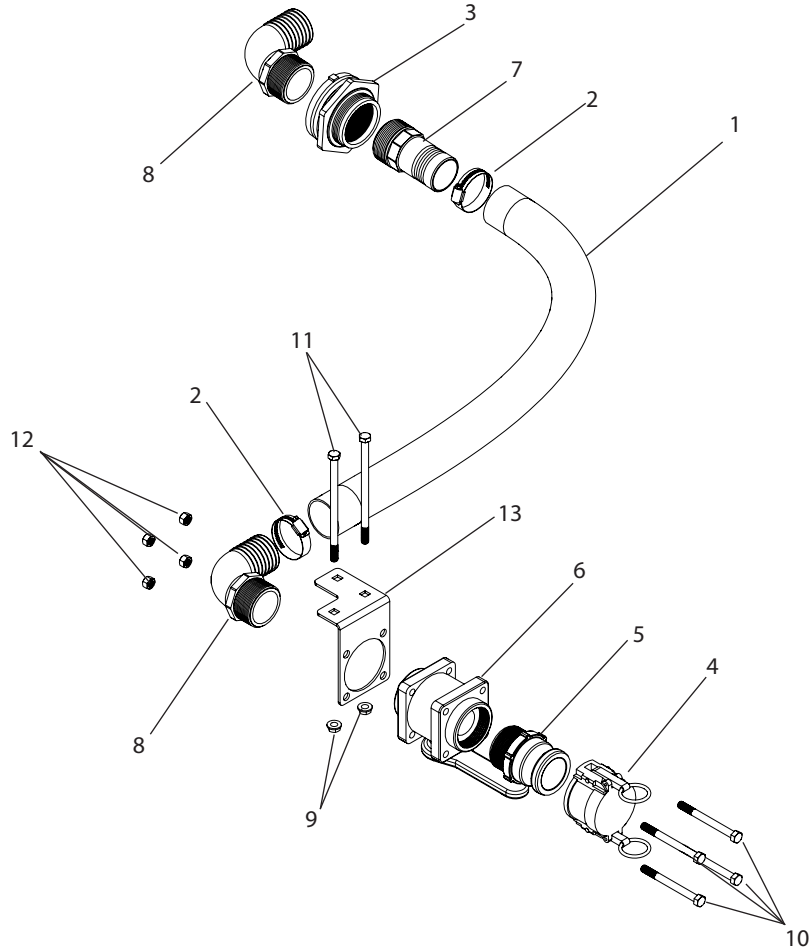


A308 Breakdown

Quick fill for TR1005, To the Tank



Ref#	Qty.	Part Number	Description
1	3FT	3112	Hose, Suction EPDM Blend 1-1/2" 60 PSI
2	2	6832	Hose Clamp, 1-1/2" - 2-1/2" SS
3	1	60405	Fitting, Tank 2" Fitting Dbl Tap (Requires a 3" Hole)
4	1	200DCS	Dust Cap, 2" Male Coupler
5	1	200F	Coupler, 2" Male w/2" MPT
6	1	200STD	Valve, Ball Bolted 2" standard port
7	1	3A200	Hose adapter, 2" MPT x 2" barb
8	2	3EL200	Adapter, Hose 90° 2" MPT x 2" HB
9	2	FN38	Nut, Flange 3/8-16
10	4	H5C38*4	Bolt, Hex 3/8-16 x 4" Gr 5
11	2	H5C38*612	Bolt, Hex 3/8-16 x 6-1/2" Gr 5
12	4	NC38S	Nut, Hex 3/8-16 SS
13	1	VMT	Mounting plate, for quick fill ball valve