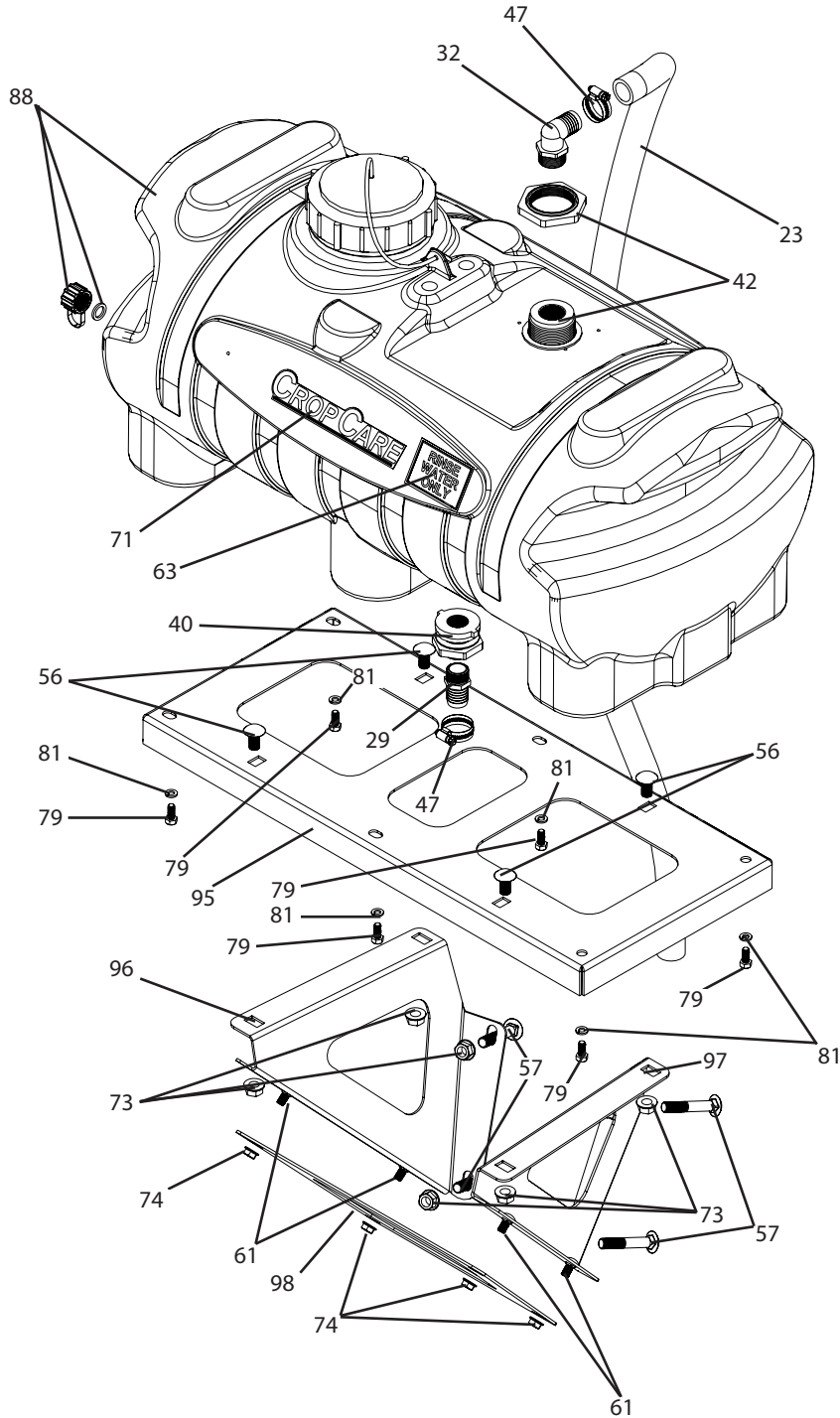


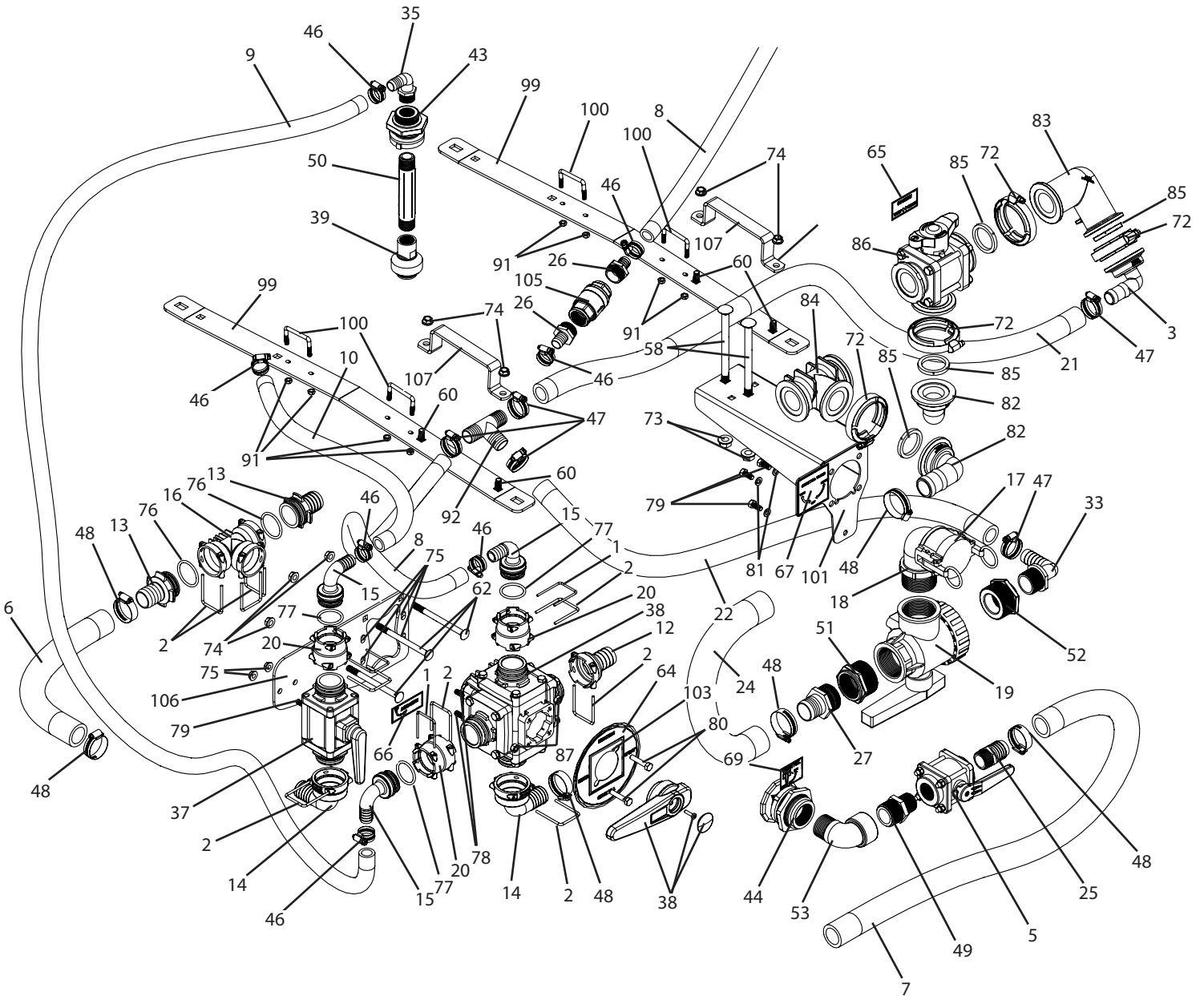
A309 Breakdown

Convenience package, 300-400 gal 3PT, low pressure



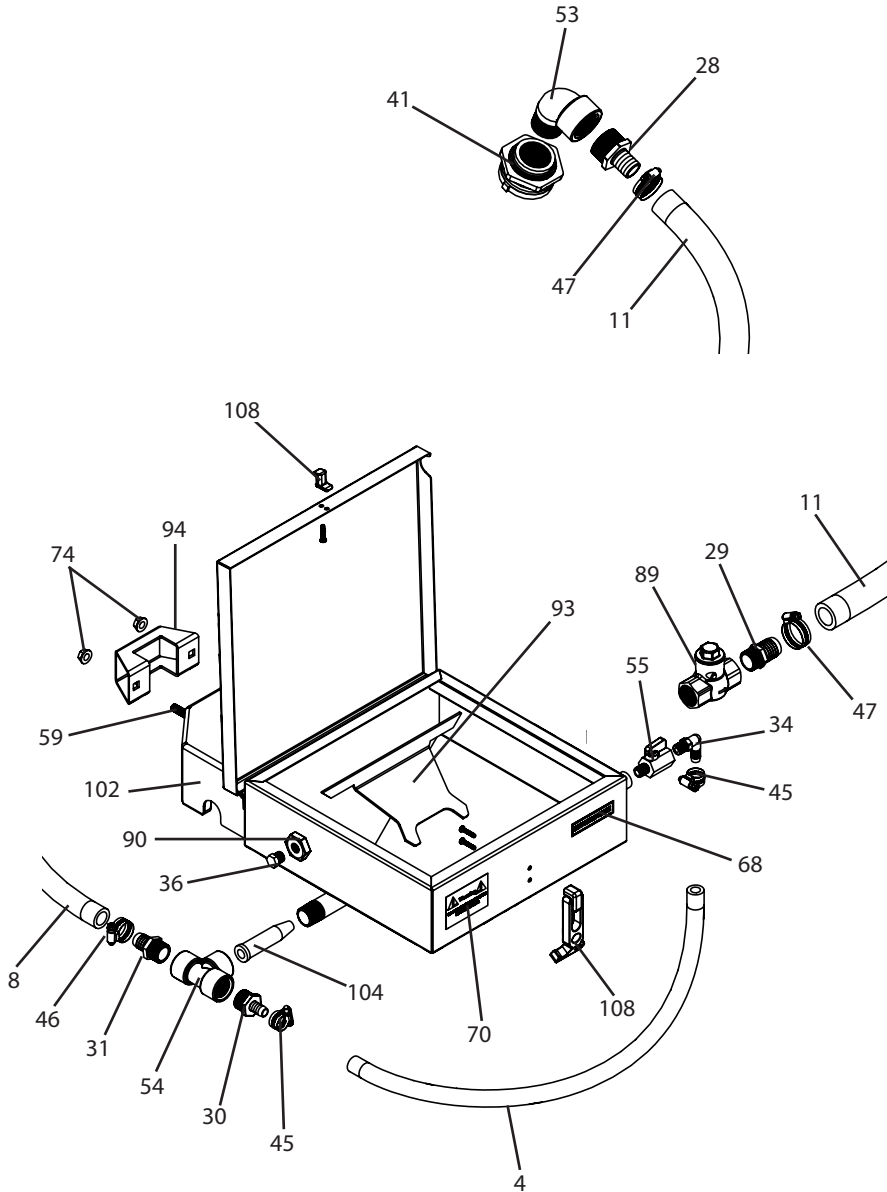
A309 Breakdown

Convenience package, 300-400 gal 3PT, low pressure



A309 Breakdown

Convenience package, 300-400 gal 3PT, low pressure



A309 Breakdown

Convenience package, 300-400 gal 3PT, low pressure

Ref#	Qty.	Part Number	Description
1	3	010005	Connector, Fork T5 QC
2	9	010006	Fork, Retaining T6
3	1	057586	Elbow, 1" 90° HB x 2" Flange
4	2.5 FT	1008	Hose, EPDM Rubber 1/2" 300 PSI
5	1	100FP	Valve, Ball Bolted 1" Full Port
6	1.167 FT	10104	Hose, EPDM Rubber 1-1/4" 150 PSI
7	2.5 FT	10104	Hose, EPDM Rubber 1-1/4" 150 PSI
8	8.25 FT	1012	Hose, EPDM Rubber 3/4" 300 PSI
9	7.75 FT	1012	Hose, EPDM Rubber 3/4" 300 PSI
10	2.25 FT	1012	Hose, EPDM Rubber 3/4" 300 PSI
11	11 FT	1016	Hose, EPDM Rubber 1" 300 PSI
12	1	1090632	Adapter, Hose 1-1/4" HB to T6 Female QC
13	2	1091632	Adapter, Hose 1-1/4" HB to T6 QC
14	2	1190632	Elbow, 1-1/4" HB x T6 QC
15	3	1191520	Elbow, T5 QC x 3/4" HB
16	1	139066	Tee, T6 QC 1-1/4" Full Port M6 Screws
17	1	200DCS	Dust Cap, 2" Male Coupler
18	1	200LF	Coupler, 2" Male w/2" MPT 90°
19	1	200SUBV3	Valve, Ball 3-Way Union 2" FPT
20	3	259056	Fitting, Reducer QC Fitting T6 to T5
21	8 FT	3110	Hose, Suction EPDM Blend 1" 80 PSI
22	2.5 FT	3110	Hose, Suction EPDM Blend 1" 80 PSI
23	5.25 FT	3110	Hose, Suction EPDM Blend 1" 80 PSI
24	1.5 FT	3112	Hose, Suction EPDM Blend 1-1/2" 60 PSI
25	1	3A100114	Fitting, Hose 1" MPT x 1-1/4" HB
26	2	3A10034	Fitting, Hose 1" MPT x 3/4" HB
27	1	3A112	Adapter, Hose 1-1/2" MPT x 1-1/2" HB
28	1	3A114100	Adapter, Hose 1-1/4" MPT x 1" Barb
29	2	3A34100	Fitting, Hose 3/4" MPT x 1" HB
30	1	3A3412	Fitting, Hose 3/4" MPT x 1/2" HB
31	1	3A3434	Fitting, Hose 3/4" MPT x 3/4" HB
32	1	3EL100	Adapter, Hose Ell 1" MPT x 1" HB
33	1	3EL114100	Adapter, Hose 90° 1-1/4" MPT x 1" HB
34	1	3EL1412	Elbow, Hose 90° 1/4" MPT x 1/2" HB
35	1	3EL3434	Adapter, Hose 90° 3/4" MPT x 3/4" HB
36	1	3F14	Plug, 1/4" MPT Poly
37	1	453004S66	Valve, 2-Way 1-1/4" FP T6 Male QC
38	1	453055S66 *	Valve, 5-Way T6 Connect 1-1/4"FP 180 PSI
39	1	55270-3/4-18-POM	Nozzle, Tank Rinse 3/4" FPT Black
40	1	60401	Fitting, Tank 3/4" FPT DBL Tap (Requires a 1-7/16" Hole)

A309 Breakdown

Convenience package, 300-400 gal 3PT, low pressure

Ref#	Qty.	Part Number	Description
41	1	60403	Fitting, Bulkhead 1-1/4" FPT Dbl Tap (Requires 2-1/4" Hole)
42	1	60427	Fitting, Bulkhead 1" FPT Dbl Tap (Requires 2-1/4" Hole)
43	1	62798	Fitting, Tank 3/4" FPT Dbl Tap (Requires 1-5/8" Hole)
44	1	63065	Fitting, Bulkhead Anti-Vortex 1-1/4" FPT (Requires 2-1/4" Hole)
45	2	6806052	Hose Clamp, 1/2" - 29/32" SS
46	8	6812052	Hose Clamp, 1/2" - 1-1/4" SS
47	9	6816052	Hose Clamp, 11/16" - 1-1/2" SS
48	6	6824052	Hose Clamp, 1" - 2" SS
49	1	8M1141	Nipple, Reducer 1-1/4" MPT x 1" MPT Sch 80 Poly
50	1	8M34*6	Nipple, 3/4" MPT x 6" Sch 80 Poly
51	1	8RB200112	Bushing, Reducer 2" MPT x 1-1/2" FPT Sch 80 Poly
52	1	8RB200114	Bushing, Reducer 2" MPT x 1-1/4" FPT Sch 80 Poly
53	2	8SE114	Elbow, Street 90° 1-1/4" NPT Sch 80 Poly
54	1	8TT34	Tee, Poly 3/4" FPT Sch 80
55	1	90FMB14	Valve, Ball 1/4" FPT x 1/4" MPT 300 PSI
56	4	CB12*1G5	Bolt, Carriage 1/2-13 x 1" Gr 5
57	4	CB12*3G5	Bolt, Carriage 1/2-13 x 3" Gr 5
58	2	CB12*7G5	Bolt, Carriage 1/2-13 x 7" Gr 5
59	2	CB38*112G5	Bolt, Carriage 3/8-16 x 1-1/2" Gr 5
60	4	CB38*1G5	Bolt, Carriage 3/8-16 x 1" Gr 5
61	4	CB38*34G5	Bolt, Carriage 3/8-16 x 3/4" Gr 5
62	3	CB38*5G5	Bolt, Carriage 3/8-16 x 5" Gr 5
63	1	DE100	Decal, Rinse Water Only
64	1	DE101	Decal, Main Valve
65	1	DE103	Decal, Suction Valve 3 Pt
66	1	DE104	Decal, Agitation Valve
67	1	DE106	Decal, Quick Fill Valve
68	1	DE112	Decal, Education Rinse
69	1	DE118	Decal, Quick Fill Valve
70	1	DE140	Decal, Warning No Leaning On Education Tank
71	1	DE46	Decal, CropCare Logo 1.9" x 8.8"
72	4	FC200	Clamp, Flange 2" Std SS
73	10	FN12	Nut, Flange 1/2-13
74	13	FN38	Nut, Flange 3/8-16
75	6	FN516	Nut, Flange 5/16-18
76	2	G11023	O-Ring, T6 QC
77	3	G11063	O-Ring, EDPM T5 Quick Connect
78	4	H5C516*114	Bolt, Hex 5/16-18 x 1-1/4" Gr 5
79	11	H5C516*34	Bolt, Hex 5/16-18 x 3/4" Gr 5
80	2	H8*16M	Bolt, Hex 8mm x 16mm 1.25 Pitch 10.9 Zinc

A309 Breakdown

Convenience package, 300-400 gal 3PT, low pressure

Ref#	Qty.	Part Number	Description
81	9	LW516	Washer, Lock 5/16"
82	2	M200150BRB90	Elbow, Flange 1-1/2" 90° HB x 2" Flange
83	1	M200CPG90	Coupling, 90° 2" Flange x 2" Flange
84	1	M200TEE	Tee, Flange 2" Flanged Fitting
85	4	M201G	Gasket, Manifold EPDM 2" w/Rib
86	1	MV200BL	Valve, Ball Bolted 3 Way Bottom Load 2" Std Flange 100 PSI
87	2	NC8M	Nut, Hex 8mm x 1.25 Pitch
88	1	SB25YP-DR *	Tank, 25 Gallon Yellow Poly w/Lid Lanyard Outlet Cap Gasket and Tether
89	1	SCV34S	Valve, Swing Check 3/4" FPT 200 PSI SS
90	1	SKU28315	Fitting, Bulkhead Brass 1/4" NPT Female to Male
91	8	SNC14	Nut, Lock Steel 1/4-20
92	1	T100	Tee, 1" HB Nylon
93	1	T440	Eduction Splash Guard
94	1	T568	Mounting clip, induction tank on 3PT
95	1	T600	3pt sprayer, freshwater tank holder
96	1	T601	Freshwater tank brace, right
97	1	T602	Freshwater tank brace, left
98	1	T610	3pt sprayer, brace
99	2	T613	3pt sprayer, hose support plate
100	4	T816	Bolt, U-Bolt Square 1/4-20 x 2" x 1-1/2" Zinc Hyd Hose Holder
101	1	T851	Quick fill mount bracket
102	1	T852	Chemical eduction tank, 3/4" MPT, stainless
103	1	T857	Plate, Valve Mount (Low Pressure 3Pt)
104	1	T866	Eduction Jet, 9/32" Orifice
105	1	T873	Valve, Check 1" FPT SS/Viton 10 PSI
106	1	T875	Mount plate for 5-way valve decal, low pressure
107	2	T919	Hose strap, on frame
108	1	WJ215	Latch, Rubber Draw w/Screws

* Additional component parts breakdowns available.