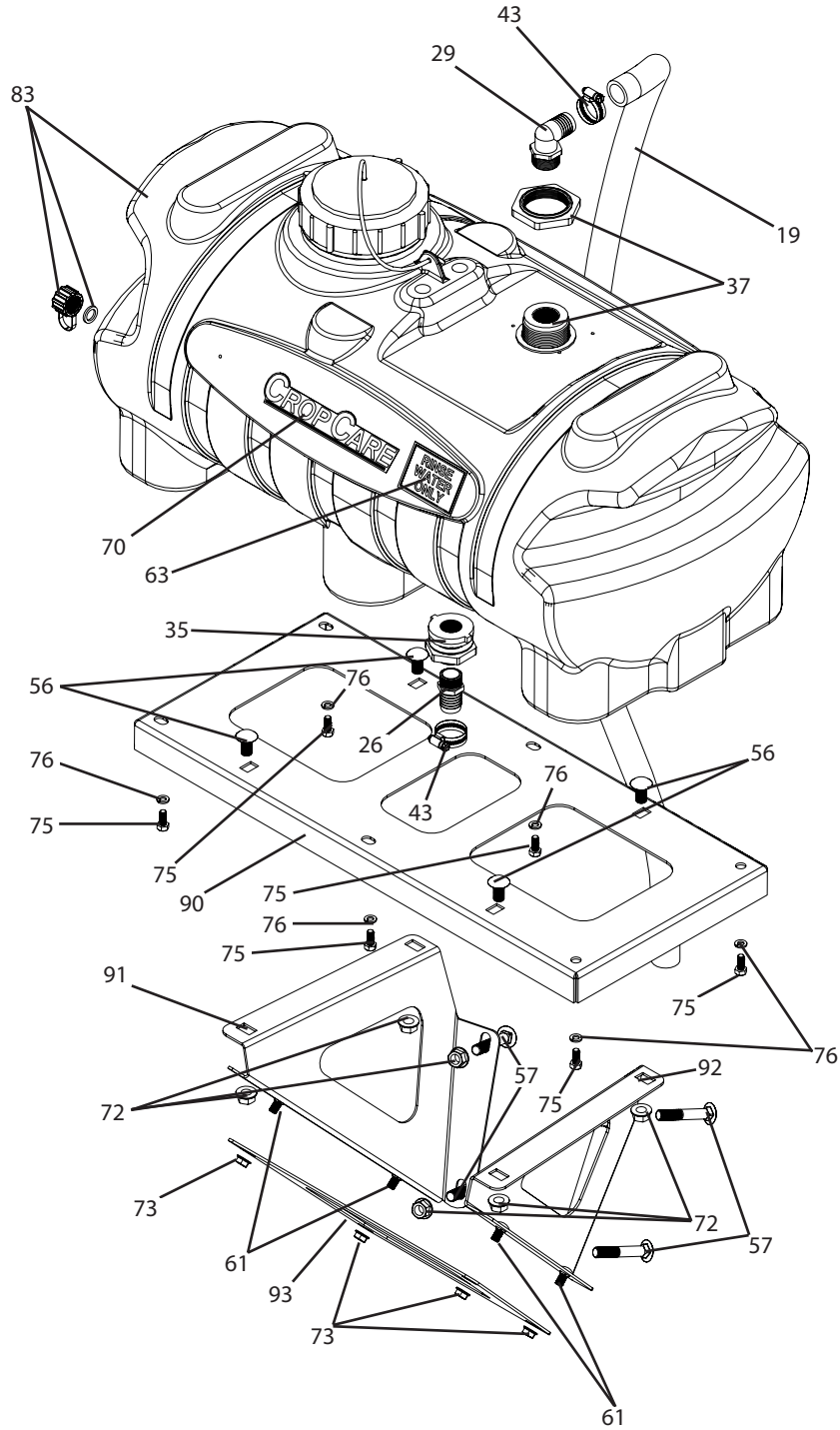


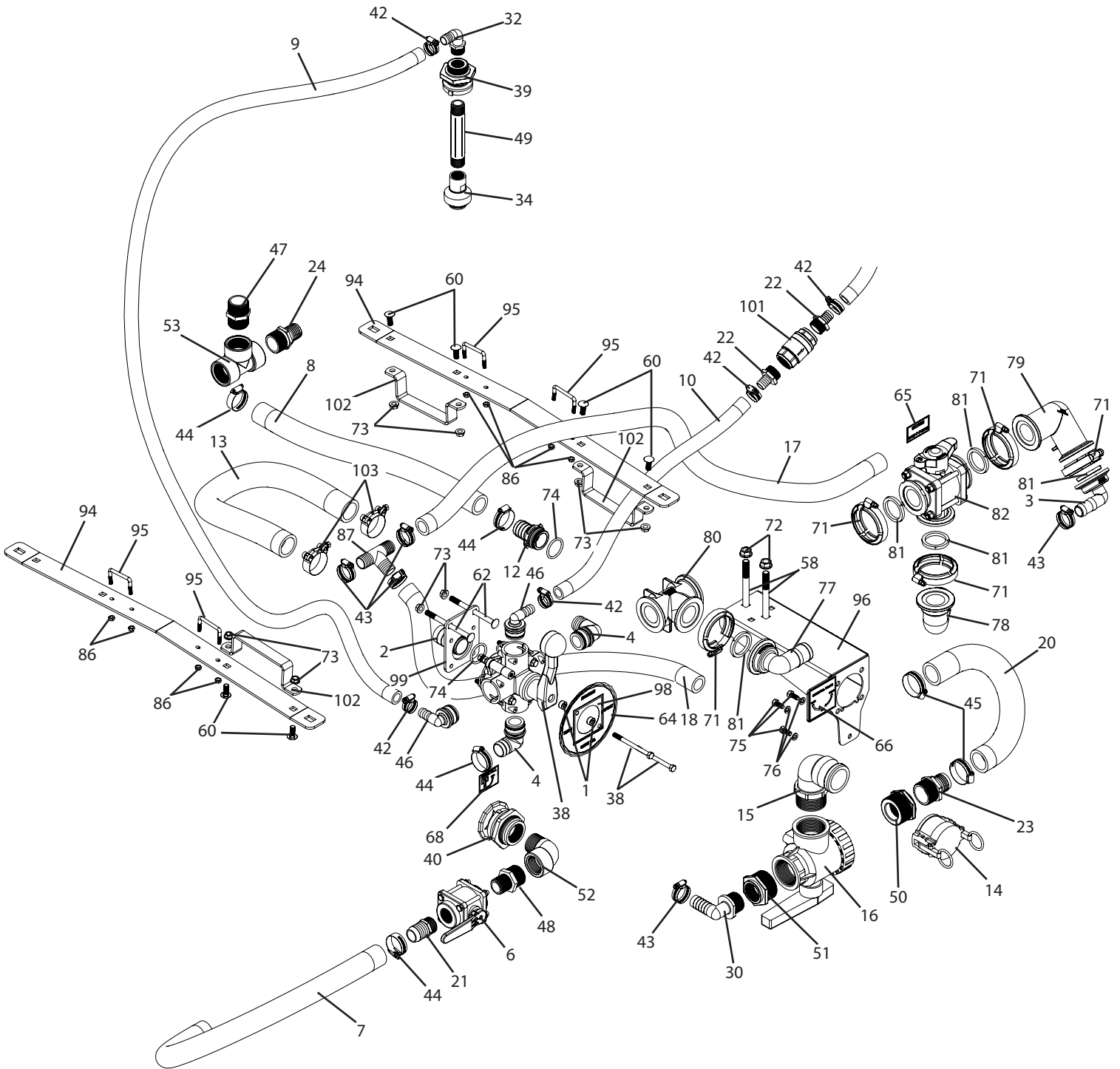
A310 Breakdown

Convenience package, 300-400 gal 3PT, high pressure



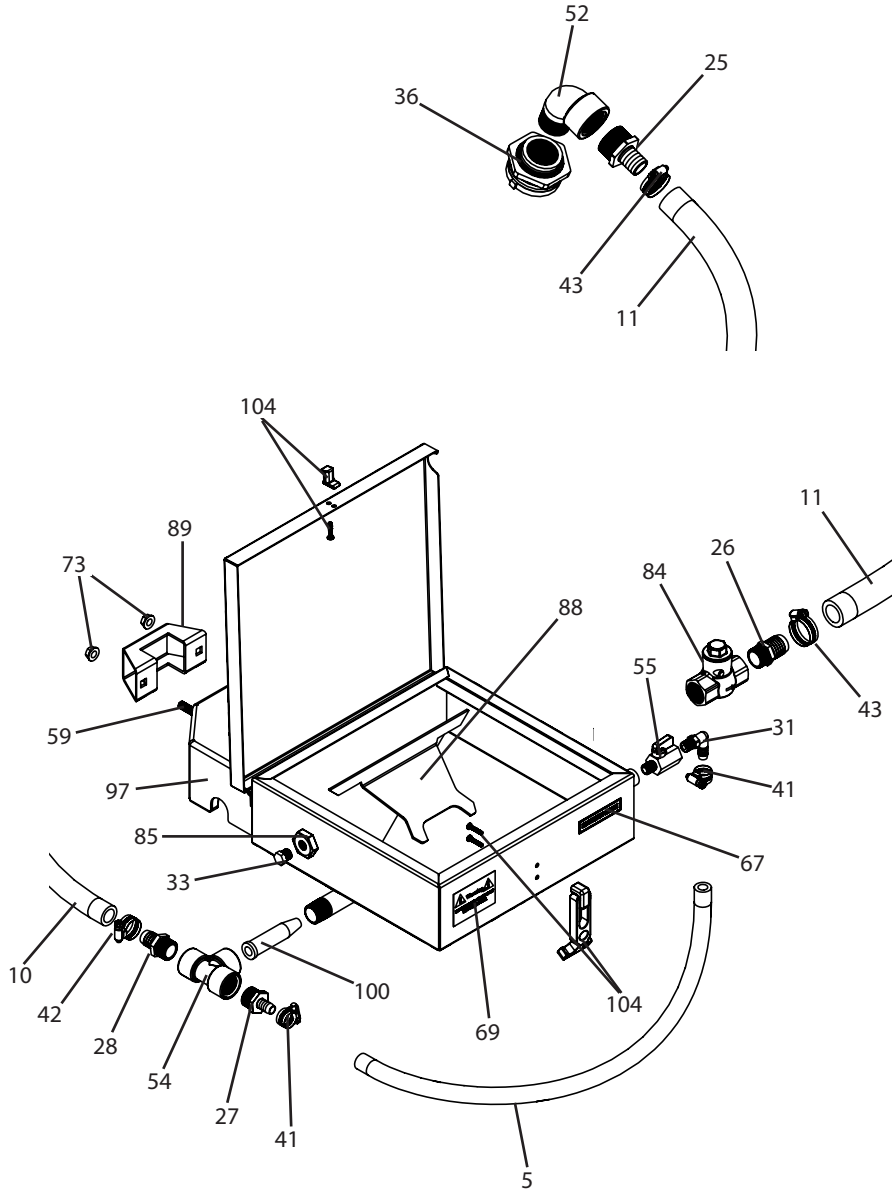
A310 Breakdown

Convenience package, 300-400 gal 3PT, high pressure



A310 Breakdown

Convenience package, 300-400 gal 3PT, high pressure



A310 Breakdown

Convenience package, 300-400 gal 3PT, high pressure

Ref#	Qty.	Part Number	Description
1	2	0313P	Shaft Collar, 5/16"
2	1	06247	Fitting, QC 1-1/2" HB x 1-1/4" QC
3	1	057586	Elbow, 1" 90° HB x 2" Flange
4	2	08874	Elbow, 1-1/4" HB x 1-1/4" QC
5	3 FT	1008	Hose, EPDM Rubber 1/2" 300 PSI
6	1	100FP	Valve, Ball Bolted 1" Full Port
7	3 FT	10104	Hose, EPDM Rubber 1-1/4" 150 PSI
8	1.5 FT	10104	Hose, EPDM Rubber 1-1/4" 150 PSI
9	7.5 FT	1012	Hose, EPDM Rubber 3/4" 300 PSI
10	9 FT	1012	Hose, EPDM Rubber 3/4" 300 PSI
11	10.5 FT	1016	Hose, EPDM Rubber 1" 300 PSI
12	1	1091532	Adapter, Hose T5 Male QC to 1-1/4" HB
13	2 FT	1124	Hose, Nitrile Grizzly 1-1/2" 500 PSI
14	1	200DCS	Dust Cap, 2" Male Coupler
15	1	200LF	Coupler, 2" Male w/2" MPT 90°
16	1	200SUBV3	Valve, Ball 3-Way Union 2" FPT
17	8 FT	3110	Hose, Suction EPDM Blend 1" 80 PSI
18	3 FT	3110	Hose, Suction EPDM Blend 1" 80 PSI
19	5 FT	3110	Hose, Suction EPDM Blend 1" 80 PSI
20	1.5 FT	3112	Hose, Suction EPDM Blend 1-1/2" 60 PSI
21	1	3A100114	Fitting, Hose 1" MPT x 1-1/4" HB
22	2	3A10034	Fitting, Hose 1" MPT x 3/4" HB
23	1	3A112	Adapter, Hose 1-1/2" MPT x 1-1/2" HB
24	1	3A114	Fitting, Hose 1-1/4" MPT x 1-1/4" HB
25	1	3A114100	Adapter, Hose 1-1/4" MPT x 1" Barb
26	2	3A34100	Fitting, Hose 3/4" MPT x 1" HB
27	1	3A3412	Fitting, Hose 3/4" MPT x 1/2" HB
28	1	3A3434	Fitting, Hose 3/4" MPT x 3/4" HB
29	1	3EL100	Adapter, Hose Ell 1" MPT x 1" HB
30	1	3EL114100	Adapter, Hose 90° 1-1/4" MPT x 1" HB
31	1	3EL1412	Elbow, Hose 90° 1/4" MPT x 1/2" HB
32	1	3EL3434	Adapter, Hose 90° 3/4" MPT x 3/4" HB
33	1	3F14	Plug, 1/4" MPT Poly
34	1	55270-3/4-18-POM	Nozzle, Tank Rinse 3/4" FPT Black
35	1	60401	Fitting, Tank 3/4" FPT DBL Tap (Requires a 1-7/16" Hole)
36	1	60403	Fitting, Bulkhead 1-1/4" FPT Dbl Tap (Requires 2-1/4" Hole)
37	1	60427	Fitting, Bulkhead 1" FPT Dbl Tap (Requires 2-1/4" Hole)
38	1	61128 *	Valve, Ball 1-1/4" 5-Way
39	1	62798	Fitting, Tank 3/4" FPT Dbl Tap (Requires 1-5/8" Hole)
40	1	63065	Fitting, Bulkhead Anti-Vortex 1-1/4" FPT (Requires 2-1/4" Hole)

A310 Breakdown

Convenience package, 300-400 gal 3PT, high pressure

Ref#	Qty.	Part Number	Description
41	2	6806052	Hose Clamp, 1/2" - 29/32" SS
42	6	6812052	Hose Clamp, 1/2" - 1-1/4" SS
43	9	6816052	Hose Clamp, 11/16" - 1-1/2" SS
44	4	6820052	Hose Clamp, 3/4" - 1-3/4" SS
45	2	6824052	Hose Clamp, 1" - 2" SS
46	2	80352	Elbow, 3/4" HB to 1-1/4" Quick Fitting
47	1	8M114	Nipple, 1-1-4" MPT x Close Sch 80 Poly
48	1	8M1141	Nipple, Reducer 1-1/4" MPT x 1" MPT Sch 80 Poly
49	1	8M34*6	Nipple, 3/4" MPT x 6" Sch 80 Poly
50	1	8RB200112	Bushing, Reducer 2" MPT x 1-1/2" FPT Sch 80 Poly
51	1	8RB200114	Bushing, Reducer 2" MPT x 1-1/4" FPT Sch 80 Poly
52	2	8SE114	Elbow, Street 90° 1-1/4" NPT Sch 80 Poly
53	1	8TT114	Tee, Poly 1-1/4" FPT Sch 80
54	1	8TT34	Tee, Poly 3/4" FPT Sch 80
55	1	90FMB14	Valve, Ball 1/4" FPT x 1/4" MPT 300 PSI
56	4	CB12*1G5	Bolt, Carriage 1/2-13 x 1" Gr 5
57	4	CB12*3G5	Bolt, Carriage 1/2-13 x 3" Gr 5
58	2	CB12*7G5	Bolt, Carriage 1/2-13 x 7" Gr 5
59	2	CB38*112G5	Bolt, Carriage 3/8-16 x 1-1/2" Gr 5
60	6	CB38*1G5	Bolt, Carriage 3/8-16 x 1" Gr 5
61	4	CB38*34G5	Bolt, Carriage 3/8-16 x 3/4" Gr 5
62	2	CB38*5G5	Bolt, Carriage 3/8-16 x 5" Gr 5
63	1	DE100	Decal, Rinse Water Only
64	1	DE101	Decal, Main Valve
65	1	DE103	Decal, Suction Valve 3 Pt
66	1	DE106	Decal, Quick Fill Valve
67	1	DE112	Decal, Education Rinse
68	1	DE118	Decal, Quick Fill Valve
69	1	DE140	Decal, Warning No Leaning On Education Tank
70	1	DE46	Decal, CropCare Logo 1.9" x 8.8"
71	5	FC200	Clamp, Flange 2" Std SS
72	10	FN12	Nut, Flange 1/2-13
73	14	FN38	Nut, Flange 3/8-16
74	2	G11063	O-Ring, EDPM T5 Quick Connect
75	9	H5C516*34	Bolt, Hex 5/16-18 x 3/4" Gr 5
76	9	LW516	Washer, Lock 5/16"
77	1	M200150BRB90	Elbow, Flange 1-1/2" 90° HB x 2" Flange
78	1	M200BRB90	Flange, 2" HB 90 Degree Elbow x 2" Flange
79	1	M200CPG90	Coupling, 90° 2" Flange x 2" Flange
80	1	M200TEE	Tee, Flange 2" Flanged Fitting

A310 Breakdown

Convenience package, 300-400 gal 3PT, high pressure

Ref#	Qty.	Part Number	Description
81	5	M201G	Gasket, Manifold EPDM 2" w/Rib
82	1	MV200BL	Valve, Ball Bolted 3 Way Bottom Load 2" Std Flange 100 PSI
83	1	SB25YP-DR *	Tank, 25 Gallon Yellow Poly w/Lid Lanyard Outlet Cap Gasket and Tether
84	1	SCV34S	Valve, Swing Check 3/4" FPT 200 PSI SS
85	1	SKU28315	Fitting, Bulkhead Brass 1/4" NPT Female to Male
86	8	SNC14	Nut, Lock Steel 1/4-20
87	1	T100	Tee, 1" HB Nylon
88	1	T440	Eduction Splash Guard
89	1	T568	Mounting clip, induction tank on 3PT
90	1	T600	3pt sprayer, freshwater tank holder
91	1	T601	Freshwater tank brace, right
92	1	T602	Freshwater tank brace, left
93	1	T610	3pt sprayer, brace
94	2	T613	3pt sprayer, hose support plate
95	4	T816	Bolt, U-Bolt Square 1/4-20 x 2" x 1-1/2" Zinc Hyd Hose Holder
96	1	T851	Quick fill mount bracket
97	1	T852	Chemical eduction tank, 3/4" MPT, stainless
98	1	T859	Plate, Valve Label
99	1	T861	Mount, Valve (3Pt High Pressure)
100	1	T866	Eduction Jet, 9/32" Orifice
101	1	T873	Valve, Check 1" FPT SS/Viton 10 PSI
102	3	T919	Hose strap, on frame
103	2	TB188	Clamp, T-Bolt 1-7/8 -2-3/16 (1.93/2.18")
104	1	WJ215	Latch, Rubber Draw w/Screws

* Additional component parts breakdowns are available for these parts.