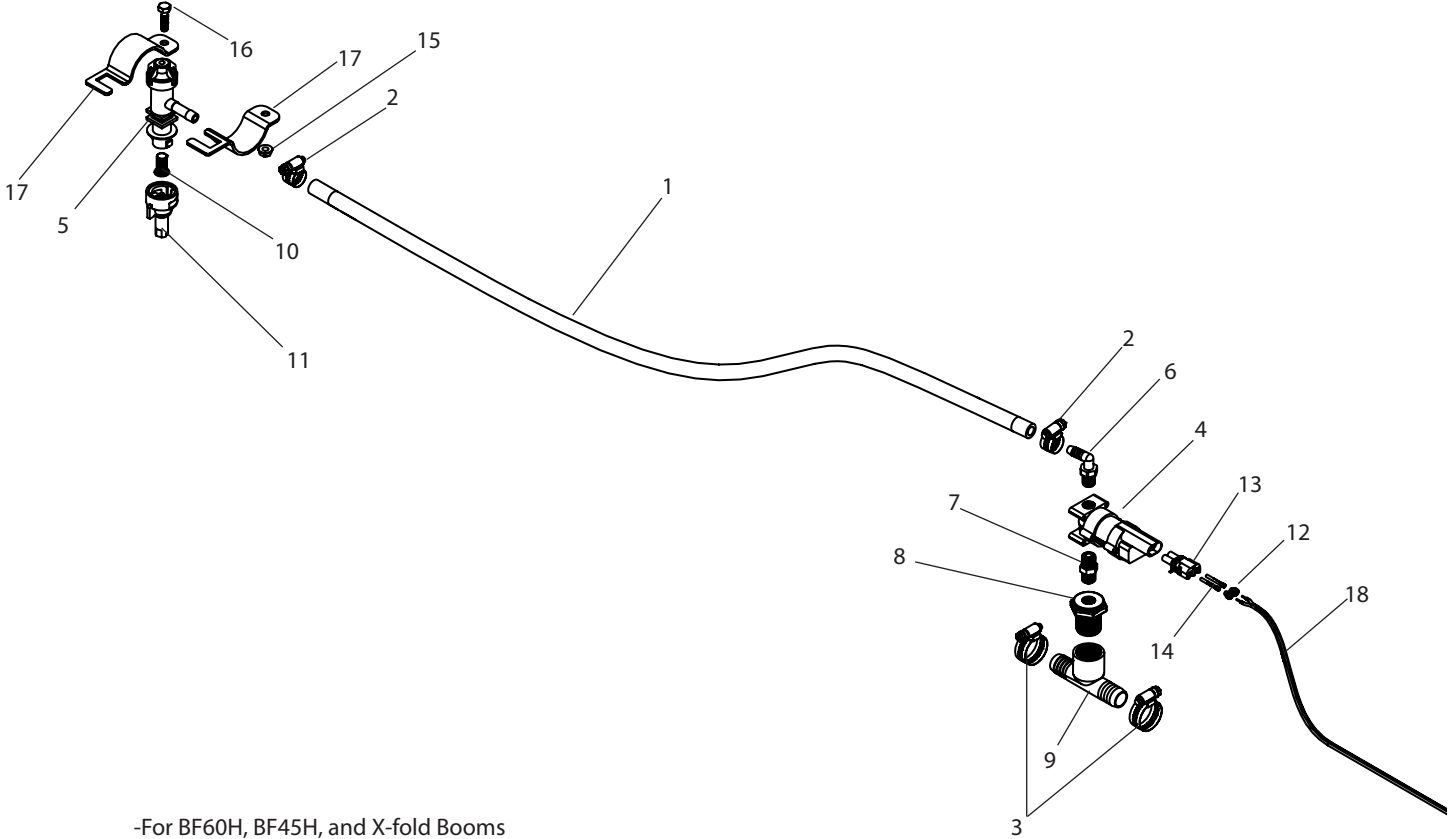


A312 Breakdown

Electric Boom Lap Nozzle



-For BF60H, BF45H, and X-fold Booms

Ref#	Qty.	Part Number	Description
1	3.5 FT	1006	Hose, EPDM Rubber 3/8" 300 PSI
2	2	6806052	Hose Clamp, 1/2" - 29/32" SS
3	2	6812052**	Hose Clamp, 1/2" - 1-1/4" SS
4	1	2201A-WP	Solenoid, 1/4" FPT, 1gpm, 125psi, 12V, 1.1A
5	1	22251311375NYB*	Body, Nozzle Elbow 3/8" QJ300
6	1	3EL1438	Adapter, Hose 90° 1/4" MPT x 3/8" HB
7	1	3M14	Nipple, Pipe 1/4" MPT Poly
8	1	3RB3414	Bushing, Reducer 3/4" MPT x 1/4" FPT Sch 40 poly
9	1	3T34F***	Tee, Fitting 3/4" FPT x 3/4" HB Run Poly
10	1	--	Strainer Tip
11	1	--	Spray Tip
12	2	DC75004	Seal, Cavity 16-14 Gauge Gray Weather-Pack
13	1	DC75014	Connector, Female 2 Pos Weather-Pack
14	2	DC75036	Terminal, Female 16-14 Ga Weather-Pack
15	1	FN14S****	Nut, Flange 1/4-20 SS
16	1	H14*1S****	Bolt, Hex 1/4-20 x 1" SS
17	2	QJNH112****	Clamp, Half Only QJ Nozzle For 1-1/2" Pipe SS
18	50 FT	SC162	Wire, Jacketed Blk 16-2 SJOW

*Additional Breakdowns Available

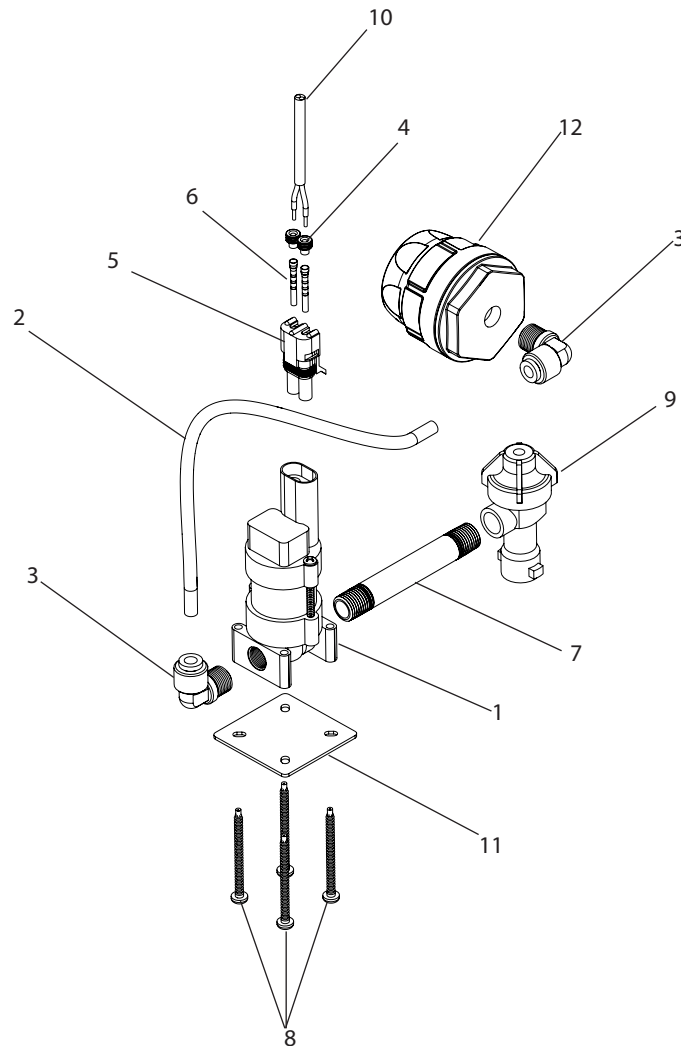
**Replace with 6806052 when used with 1/2" plumbing.

***Replace with (2) 3A3412, 8TT34 when used with 1/2" plumbing.

****Only used on BF45 & BF60; use QJ111SQ114S for HX30, HX40; QJ111SQ112SS for HX45

A312 Breakdown

Electric Boom Lap Nozzle



*For Wet Line Plumbing

Ref#	Qty.	Part Number	Description
1	1	2201A-WP	Solenoid, 1/4" FPT, 1gpm, 125psi, 12V, 1.1A
2	1 FT	5156N	Tubing, Nylon 1/4" OD Black
3	2	A4ME4	Adapter, TrueSeal Fitting 90° 1/4" Tube
4	2	DC75004	Seal, Cavity 16-14 Gauge Gray Weather-Pack
5	1	DC75014	Connector, Female 2 Pos Weather-Pack
6	2	DC75036	Terminal, Female 16-14 Ga Weather-Pack
7	1	N14*312S	Nipple, 304 SS Pipe 1/4" MPT x 3-1/2"
8	4	PT8*2S	Screw, Pan Head Tap #8 x 2" SS Phillips Drive
9	1	QJ8355-14-NYB	Body, QJ 90° To 1/4" FPT w/No-Drip
10	50 FT	SC162	Wire, Jacketed Blk 16-2 SJOW
11	1	T491	Remcor Solenoid Mount Plate
12	1	T888	Wet line fitting, cap with threaded port