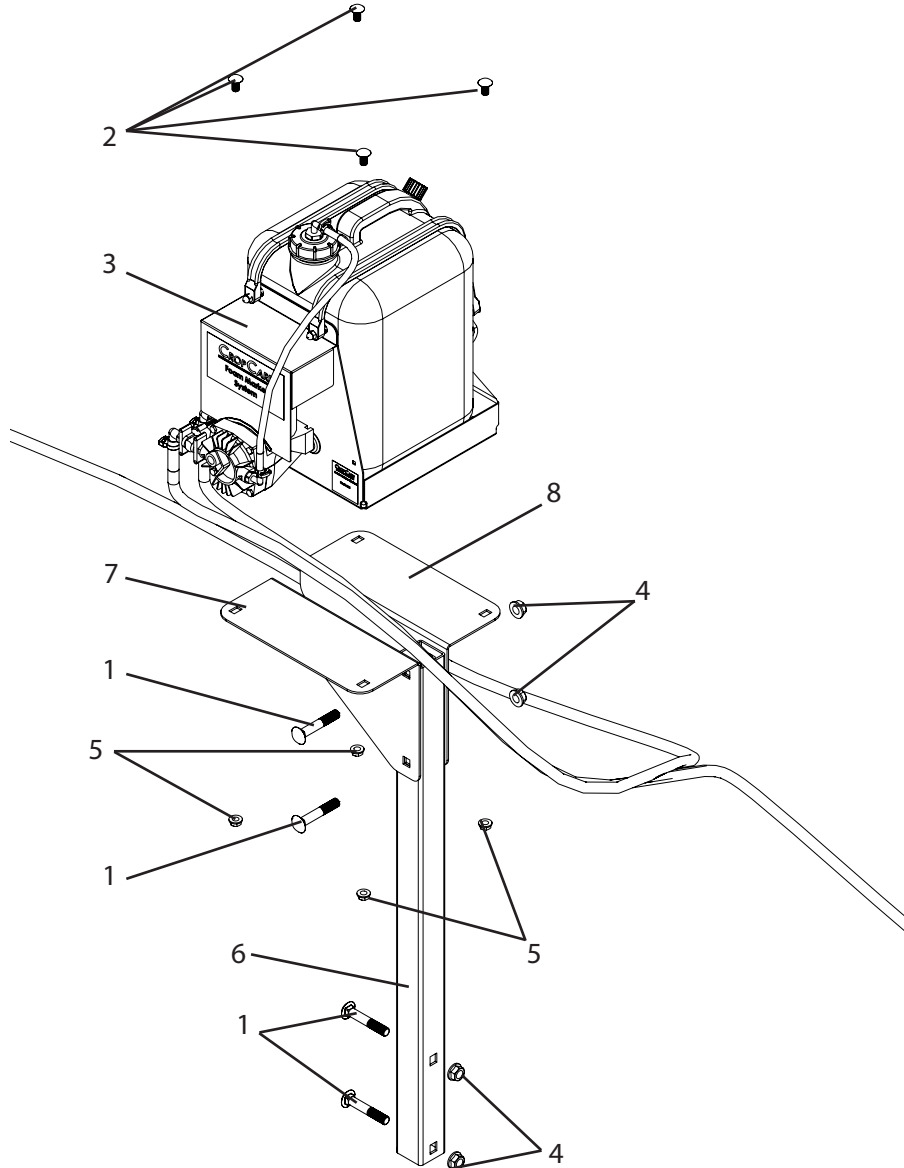


A317 Breakdown

5 gallon foam marker system, 200/300 3PT



Ref#	Qty.	Part Number	Description
1	4	CB12*3G5	Bolt, Carriage 1/2-13 x 3" Gr 5
2	4	CB38*34G5	Bolt, Carriage 3/8-16 x 3/4" Gr 5
3	1	F1500A *	Foam Marker, System 5 Gal CropCare
4	4	FN12	Nut, Flange 1/2-13
5	4	FN38	Nut, Flange 3/8-16
6	1	T327	Foamer Mount Post, 200/300 3PT
7	1	T328	Foamer mounting bracket, right, 200/300 3PT
8	1	T329	Foamer mounting bracket, left, 200/300 3PT

*Has component parts breakdown available.