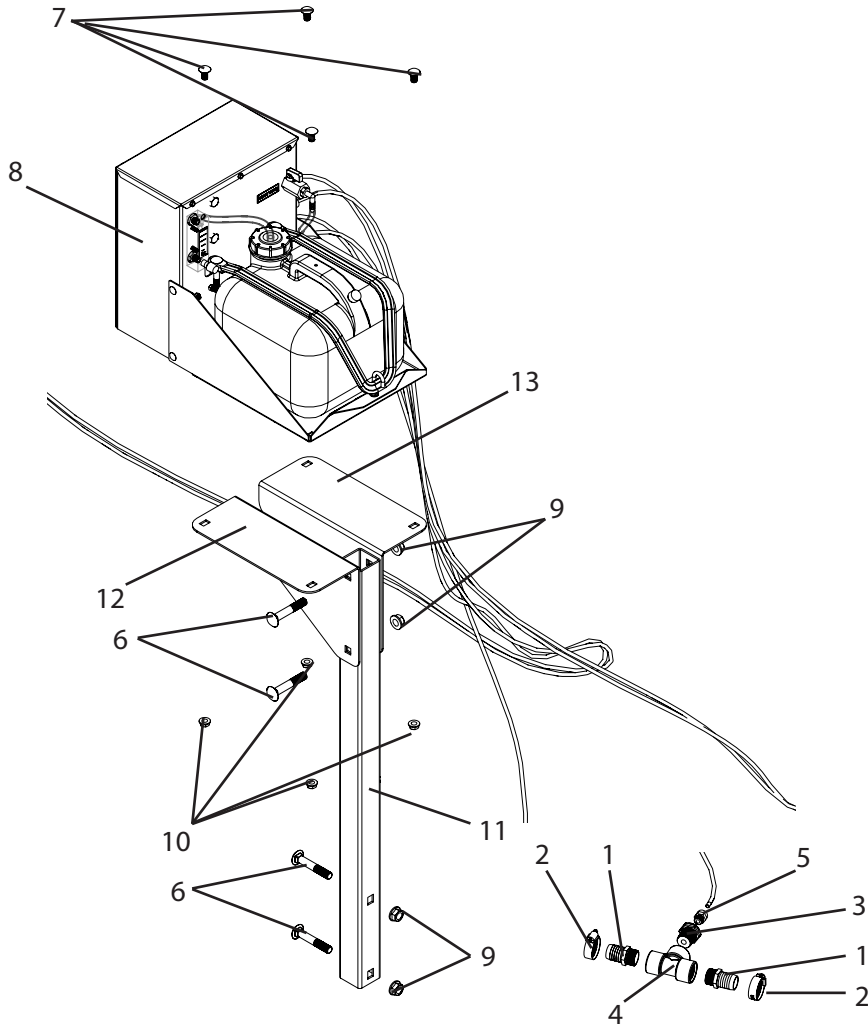


A318 Breakdown

Foam injection marker system, 200-300 3pt sprayer



Ref#	Qty.	Part Number	Description
1	2	3A34100	Fitting, Hose 3/4" MPT x 1" HB
2	2	6816052	Hose Clamp, 13/16" - 1-1/2" SS
3	1	8RB3414	Bushing, Reducer 3/4" MPT x 1/4" FPT Sch 80 Poly
4	1	8TT34	Tee, Poly 3/4" FPT Sch 80
5	1	A4MC4	Adapter, TrueSeal 1/4" MPT x 1/4" Tube
6	4	CB12*3G5	Bolt, Carriage 1/2-13 x 3" Gr 5
7	4	CB38*34G5	Bolt, Carriage 3/8-16 x 3/4" Gr 5
8	1	F1000I *	Foam Marker, Injection System 2.5 Gallon Capacity
9	4	FN12	Nut, Flange 1/2-13
10	4	FN38	Nut, Flange 3/8-16
11	1	T327	Foamer Mount Post, 200/300 3PT
12	1	T328	Foamer mounting bracket, right, 200/300 3PT
13	1	T329	Foamer mounting bracket, left, 200/300 3PT

* Has component parts breakdown available.