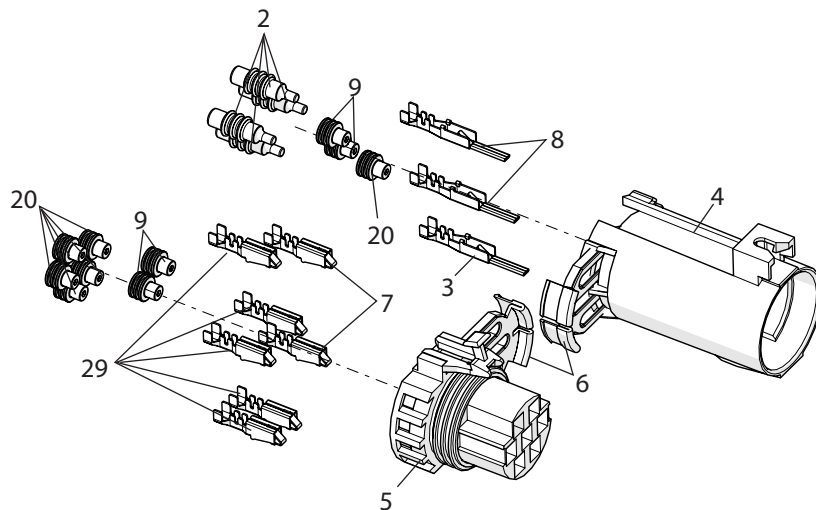
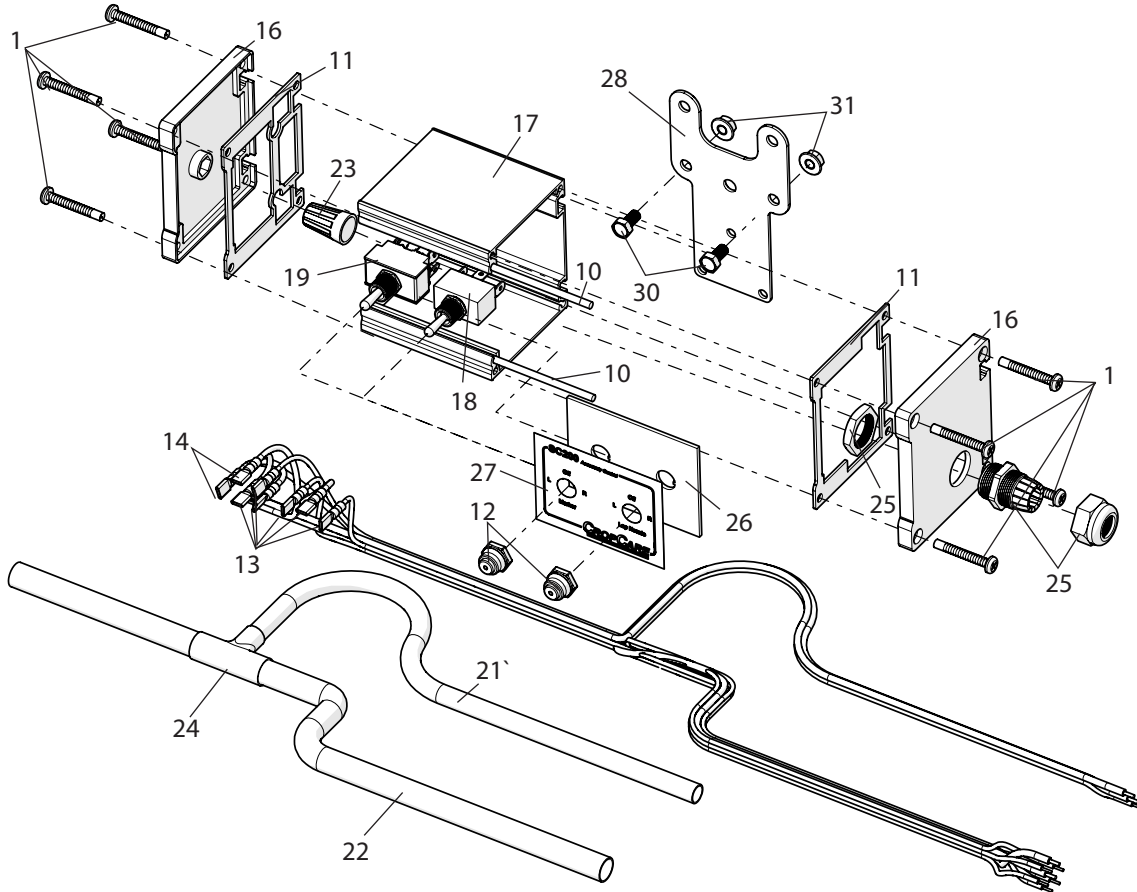


AC200 Breakdown

Controller, CropCare Accessory Lap Nozzle & Foam Marker



AC200 Breakdown

Controller, CropCare Accessory Lap Nozzle & Foam Marker

Ref #	Qty.	Part Number	Description
1	8	100097 *	Screw, End Cap SC400
2	4	12010300 *	Seal, Cavity Plug Green
3	1	12048159-L *	Connector, Male 3.12mm - -2.03mm
4	1	12110751-B *	Connector, Female 7 Way Assy
5	1	12110753-B *	Connector, Male 7 Position
6	2	12110754-B *	Lock, Secondary Lt Gray
7	2	12129493-L *	Connector, Female 3.5mm - 2.45 mm
8	2	12129497-L *	Connector, Male 3.80mm -2.45mm
9	4	15324981 *	Seal, Cavity Blue
10	0.6	250056 *	O-Ring, Panel SC400 Salv
11	2	250069 *	Gasket, End Cap SC400 Salv
12	2	400563 *	Switch, Toggle Half Boot With O-Ring
13	6	506567 *	Terminal, Spade Female 16-14 gauge insulated 1/4"
14	2	562890 *	Terminal, Spade Female 12-10 gauge insulated
15	5	618UV *	Cable Tie, 6" 18 Lb black (Not Shown)
16	2	760059-01 *	Extrusion, End Cap Plastic
17	1	760134-90 *	Extrusion, Aluminum 90 MM
18	1	DC7200105 *	Switch,Toggle SPDT On-Off-On
19	1	DC7300131 *	Switch,Toggle DPDT On-Off-On
20	6	DC75004 *	Cavity Seal, 16-14 Gauge
21	1	DC784 *	Loom, Flex-Gard 3/8"
22	1.5	DC786 *	Loom, Flex-Gard 1/2"
23	1	E10307 *	Wire Nut, Set Screw #30-222 Lg
24	1	LCT-5037550 *	Loom clamp tee, 1/2" - 3/8" - 1/2"
25	1	LPCG50 *	Strain Relief, 0.2" - 0.47" diameter, PVC
26	1	S201	Accessory box, aluminum switch plate
27	1	S202	Decal, Accessory Box
28	1	S203	Accessory box, mount plate
29	5	12077411-L *	Connector, Female 3.12mm - 2.03mm
30	4	H6*12M	Bolt, Hex Metric 6mm x 12mm 1.0 Pitch
31	4	FN6M	Nut, Flange 6mm x 1.0 Pitch

* Included in S204.