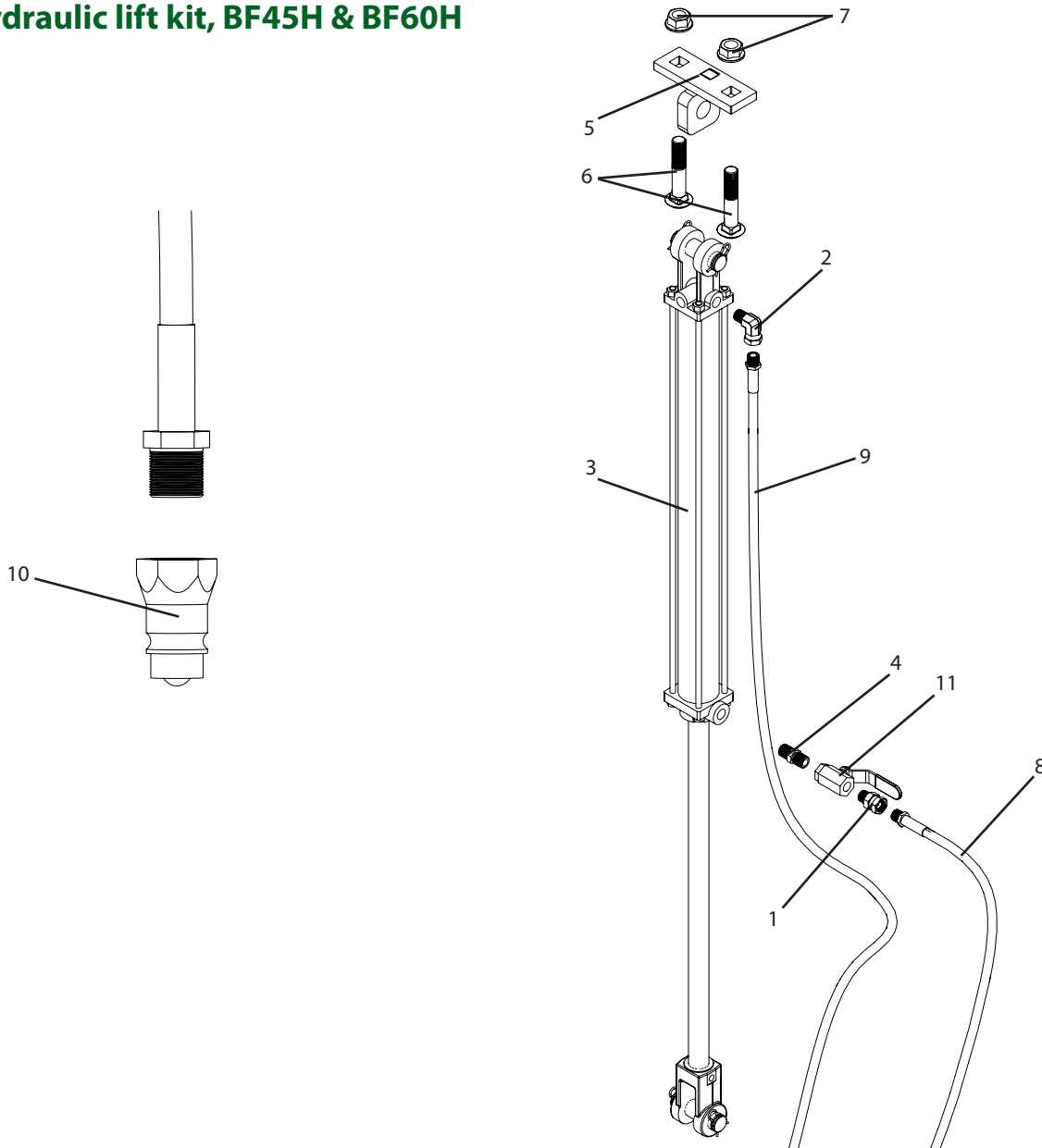


BF45AHYD Breakdown

Hydraulic lift kit, BF45H & BF60H



Ref#	Qty.	Part Number	Description
1	1	1404R-06-06-.032	Restrictor, Hyd 0.032 Orifice 3/8" MPT x 3/8" FPT Swivel
2	1	1501-06-06	Elbow, Hyd. 90° 3/8" MPT x 3/8" FPT Swivel
3	1	20TX24	Cylinder, Hyd Black 2" Bore x 24" Stroke
4	1	1279968	Nipple, Hyd 3/8" MPT x 3/8" MPT
5	1	BF45E03	Hydraulic lift weldment
6	2	CB34*4G5	Bolt, Carriage 3/4-10 x 4" Gr 5
7	2	FN34	Nut, Flange 3/4-10
8	1	HH1421-2	21' Hose OAL, 1/4" W/ HY04-08MP & HY04-06MP Ends
9	1	HH1423-2	23' Hose OAL, 1/4" W/HY04-08MP & HY04-06MP Ends
10	2	S71-4	Tip, Hyd Male 1/2" FPT Fits S20-S40-S70
11	1	XV500CS-6	Valve, Ball Carbon Steel 3/8" 2000 PSI Clear Coated