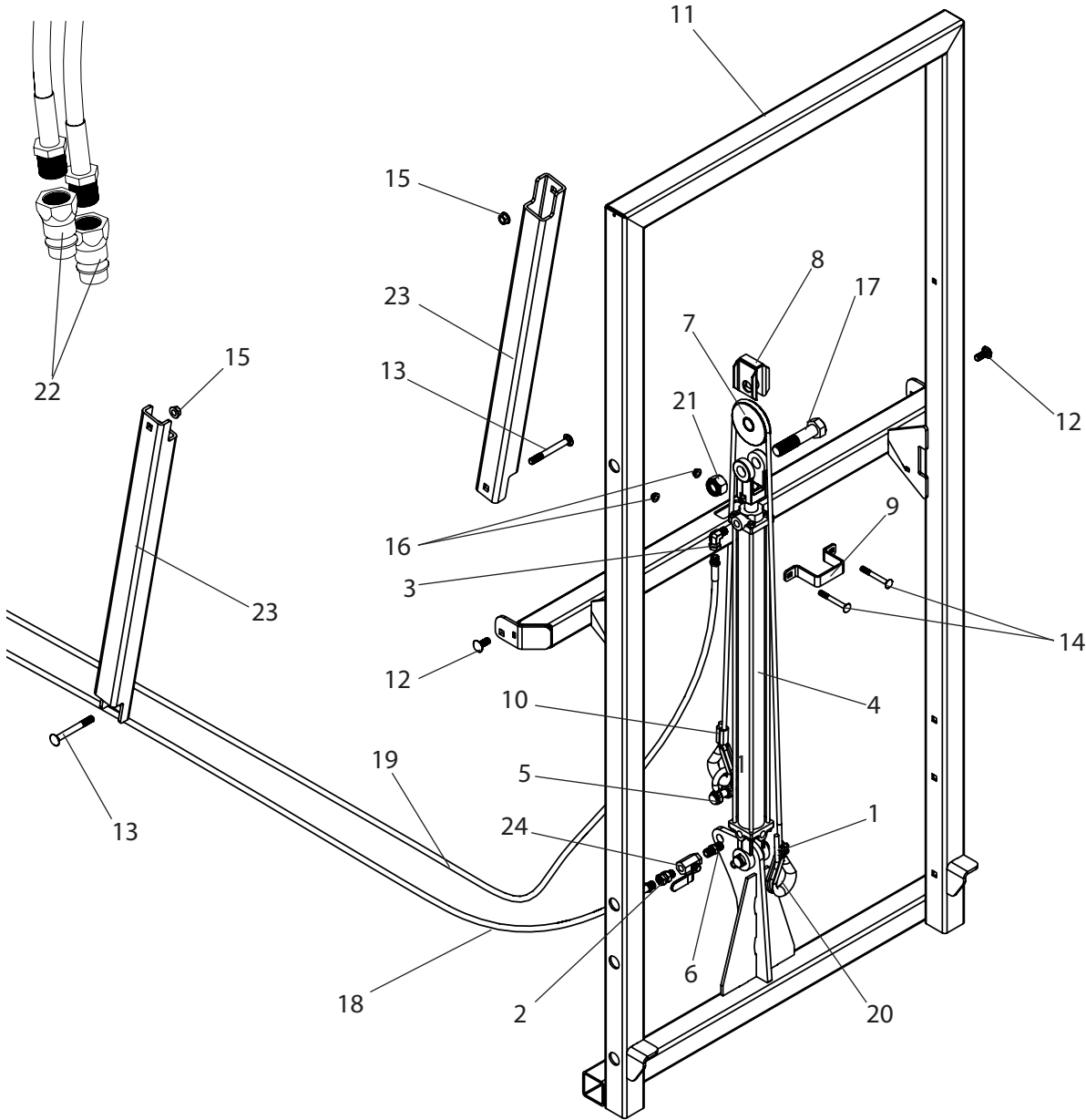


BF45HC Breakdown

Tall rear frame, hydraulic lift



BF45HC Breakdown

Tall rear frame, hydraulic lift

Ref#	Qty.	Part Number	Description
1	2	040010	Clamp, Wire Rope 3/8" SS
2	1	1404R-06-06-.032	Restrictor, Hyd 0.032 Orifice 3/8" MPT x 3/8" FPT Swivel
3	1	1501-06-06	Elbow, Hyd. 90° 3/8" MPT x 3/8" FPT Swivel
4	1	20TL30	Cylinder, Hyd Black 2" bore x 30" stroke
5	1	3559T48	Shackle, Anchor 1/2" Dia 5/8" Pin 13/16" Opening 4000 Lbs
6	1	1279968	Nipple, Hyd 3/8" MPT x 3/8" MPT
7	1	BF45D28	Cable pulley for hyd lift kit, 4" pulley, 1" bore
8	1	BF45D32	Cable retainer for pulley, hyd lift kit
9	1	BF45E28	High lift frame, cylinder top clamp
10	1	BF45E29	Cable, High Lift Frame
11	1	BF45E30	Front vertical frame, tall
12	2	CB12*114G5	Bolt, Carriage 1/2-13 x 1 1/4" Gr 5
13	2	CB12*412G5	Bolt, Carriage 1/2-13 x 4-1/2" Gr 5
14	2	CB38*314G5	Bolt, Carriage 3/8-16 x 3-1/4" Gr 5
15	2	FN12	Nut, Flange 1/2-13
16	2	FN38	Nut, Flange 3/8-16
17	1	H5C1*412	Bolt, Hex 1-8 x 4-1/2" Gr 5
18	1	HH1422-2	22' Hose OAL, 1/4" W/HY04-08MP & HY04-06MP Ends
	1	HH1416-2*	16' Hose OAL, 1/4" W/HY04-08MP & HY04-06MP Ends
	1	HH1424-2 **	24' Hose OAL, 1/4" with HY04-08MP & HY04-06MP ends
19	1	HH1424-2	24' Hose OAL, 1/4" with HY04-08MP & HY04-06MP ends
	1	HH1417.5-2*	17.5' Hose OAL, 1/4" W/HY04-08MP & HY04-06MP Ends
	1	HH1426-2 **	26' Hose OAL, 1/4" with HY04-08MP & HY04-06MP ends
20	1	N176842	Thimble, Rope 1/2" Zinc
21	1	NNC1	Nut, Lock Nylon 1-8
22	2	S71-4	Tip, Hyd Male 1/2" FPT Fits S20-S40-S70
23	2	T838+	High clearance boom frame support tube
	2	T924**	Boom brace, TR1000 w/ high clearance option
24	1	XV500CS-6	Valve, Ball Carbon Steel 3/8" 2000 PSI Clear Coated

* Hydraulic hoses used on 3pt sprayers.

+ Not used on 3pt sprayers.

** Only used on 1000 gallon trailers.