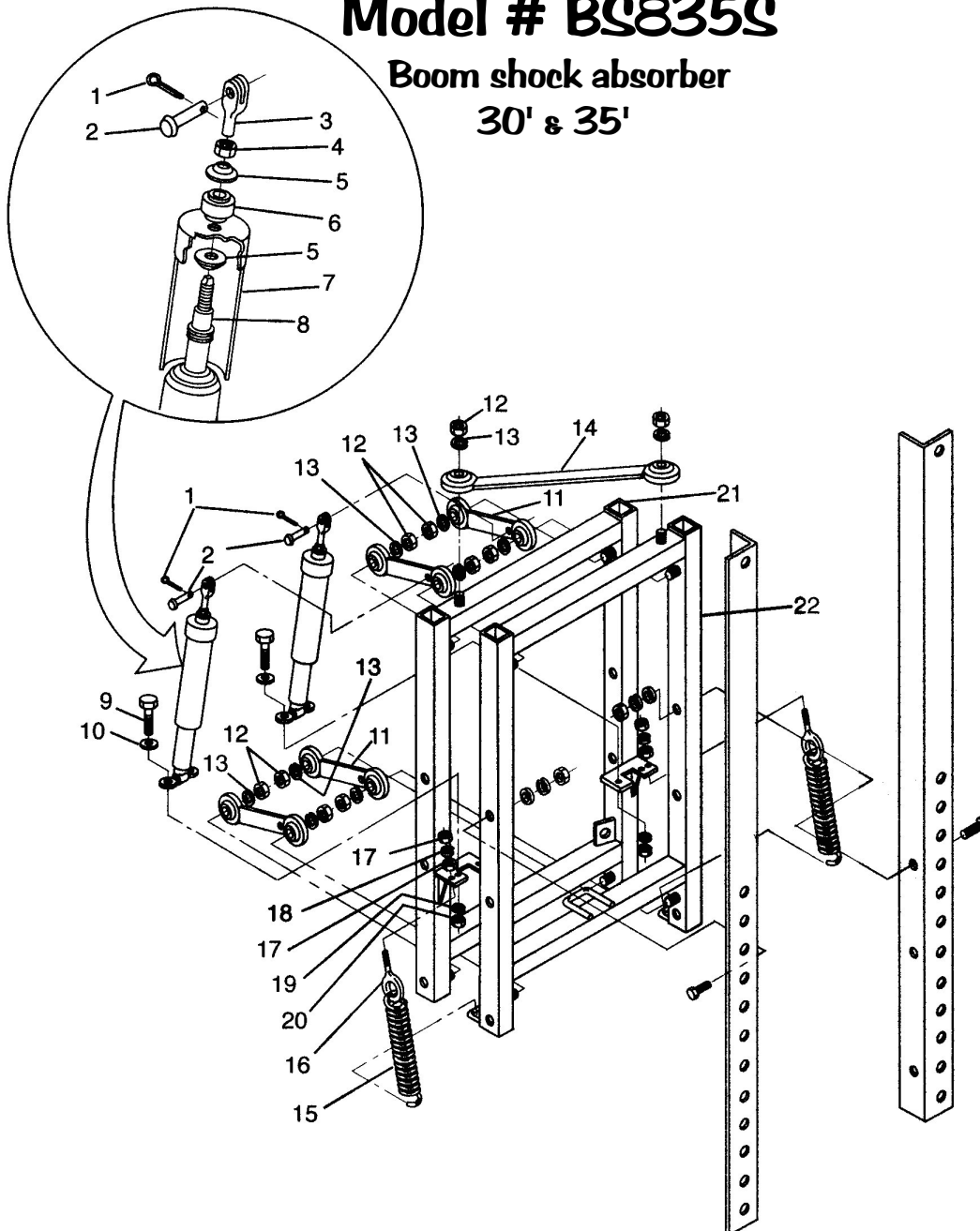


CROPCARE

50 Woodcorner Road | Lititz PA 17543 | (717) 738-7350
www.CropCareEquipment.com

Model # BS835S

Boom shock absorber
30' & 35'



Ref#	Qty	Part#	Description
1	2	CT18*1	1/8" x 1" cotter pin
2	2	CP38*114	3/8" x 1-1/4" clevis pin
3	2	P27084	3/8" NF clevis rod end
4	2	NF38	3/8" NF nut
5	4	Part of ref #8	Washer
6	2	Part of ref #8	Rubber bushing
7	2	SC200	Shock cover
8	2	48569	Shock absorber
9	4	H5C516*114	5/16" x 1-1/4" bolt
10	4	FW516	5/16" flat washer
11	4	BS800S1	Shock link

Ref#	Qty	Part#	Description
12	10	NC58	5/8" coarse nut
13	10	LW58	5/8" lock washer
14	1	BS800S2	Sway link
15	2	B116	Extension spring 1 1/2" x 9 1/2"
16	2	N221267	3/8" x 4" eye bolt
17	28	NC38	3/8" coarse nut
18	32	LW38	3/8" lock washer
19	4	LW516	5/16" lock washer
20	4	NC516	5/16" NC nut
21	1	BS800S4	Shock frame front
22	1	BS800S3	Shock frame rear